

**Series 8, fully-integrated dishwasher,  
60 cm  
SMV8YCX03E**



**Give feedback on your washing and drying results via the app and the Intelligent Programme adapts to your needs.**

- **PerfectDry based on Zeolith technology:** perfect drying results with less energy usage even on difficult to dry dishes.
- **Intelligent Programme:** individually adapts the washing and drying cycle based on your feedback
- **Max Flex Pro baskets:** highest flexibility and protection for your dishes, with superior sliding performance.
- **Silence Plus:** remarkably quiet at 43dB.
- **Home Connect:** home appliances with smart connectivity for an easier everyday life.

**Technical Data**

Energy Efficiency Class (Regulation (EU) 2017/1369): B  
 Energy Consumption for 100 cycles Eco Programme (EU 2017/1369): 65 kWh  
 Maximum number of place settings (EU 2017/1369): 14  
 The water consumption of the eco programme in liters per cycle (EU 2017/1369): 9.5 l  
 Programme duration (EU 2017/1369): 3:55 h  
 Airborne acoustical noise emissions (EU 2017/1369): 43 dB(A) re 1 pW  
 Airborne acoustical noise emission class (EU 2017/1369): B  
 Cleaning performance: A  
 Water consumption: 9.5 l  
 Total annual energy consumption 220 days: 163 kWh  
 Total annual water consumption 220 days: 2090 l  
 Built-in / Free-standing: Built-in  
 Removable top: No  
 Door panel options: Not possible  
 Height of removable worktop: 0 mm  
 Height of the product: 815 mm  
 Adjustable feet: Yes - all from front  
 Maximum adjustability feet: 60 mm  
 Net weight: 44.7 kg  
 Gross weight: 47.0 kg  
 Connection Rating: 2400 W  
 Fuse protection: 10 A  
 Voltage: 220-240 V  
 Frequency: 50; 60 Hz  
 Approval certificates: , VDE  
 Length electrical supply cord: 175 cm  
 Plug type: GARDY plug w/ earthing  
 Length inlet hose: 165 cm  
 Length outlet hose: 190 cm  
 Hidden heating element: Yes  
 Water protection system description: Triple water protection 24h  
 Child safety devices: No  
 Water softener: Yes  
 Top basket type: R4  
 Adjustable upper basket: Rackmatic 3-stage  
 Bottom basket type: R4  
 3rd Rack: 3rd Rack 2.1  
 Optional accessories: SGZ0IC00, SGZ1010, SGZ8BI00, SMZ1051EU, SMZ2014, SMZ2056, SMZ5000, SMZ5003, SMZ5005, SMZ5035, SMZ5100, SMZ5300  
 Included accessories 2: vapor barrier plate  
 Number of place settings: 14  
 Color / Material panel: Grey  
 Dimensions of the product (HxWxD): 815 x 598 x 550 mm  
 Dimensions of the packed product (HxWxD): 880 x 670 x 660 mm



## Series 8, fully-integrated dishwasher, 60 cm SMV8YCX03E

**Give feedback on your washing and drying results via the app and the Intelligent Programme adapts to your needs.**

### **BOSCH - Header 1**

- Energy Efficiency Class<sup>1</sup>: B
- Energy<sup>2</sup> / Water<sup>3</sup>: 65 kWh / 9.5 litres
- Capacity: 14 place settings
- Programme duration<sup>4</sup>: 3:55 (h:min)
- Noise level: 43 dB(A) re 1 pW
- Noise Efficiency Class: B
- Noise level (silence programme): 41 dB(A) re 1 pW

### **BOSCH - Header 2**

- Favourite Program
- 5 special options: Remote Start, Extra Dry, Intensive Zone, Hygiene+, SpeedPerfect+
- Machine Care
- Silence on Demand (via app)

### **BOSCH - Header 3**

- Zeolite-Drying
- AquaSensor, Load Sensor
- DosageAssist
- EcoSilence Drive
- Detergent Automation
- Self-cleaning filter system with 3-fold corrugated filter
- Interior tub material: Stainless Steel

### **BOSCH - Header 4**

- Max Flex Pro Baskets with red coloured touchpoints
- Extra Clean Zone
- VarioDrawer Pro
- Rackmatic height-adjustable top basket (3 stage)
- Easy Slide pullout system on upper rack
- Low friction wheels on bottom basket
- Colored anti-slip protection strips in upper rack
- Rack Stopper to prevent derailing of bottom basket
- 6 foldable plate racks in top basket
- 8 FlexTines in bottom basket
- 2 cup shelves with soft silicone front part in top basket
- 2 cup shelves in bottom basket
- Glass rack in bottom basket

### **BOSCH - Header 5**

- Home Connect enabled via WLAN
- inside
- Touch Control (metallic)
- EmotionLight
- Push button top controls
- Panel legend: Plain text (english)
- TimeLight
- Real-time clock
- Acoustic end of cycle indicator
- Electronic delay timer: 1-24 hours

### **BOSCH - Header 6**

- AquaStop: Bosch warranty in case of water damage – for the lifetime of the appliance.\*
- Precise glass protection technology

### **BOSCH - Header 7**

- incl. salt filling funnel
- Incl. Steam protection plate

### **BOSCH - Header 8**

- Product dimensions (HxWxD): 81.5 x 59.8 x 55 cm

<sup>1</sup> Scale of Energy Efficiency Classes from A to G

<sup>2</sup> Energy consumption in kWh per 100 cycles (in programme Eco 50 °C)

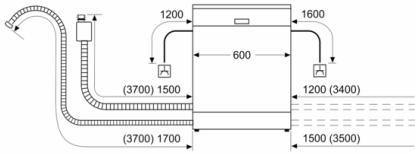
<sup>3</sup> Water consumption in litres per cycle (in programme Eco 50 °C)

<sup>4</sup> Duration of programme Eco 50 °C

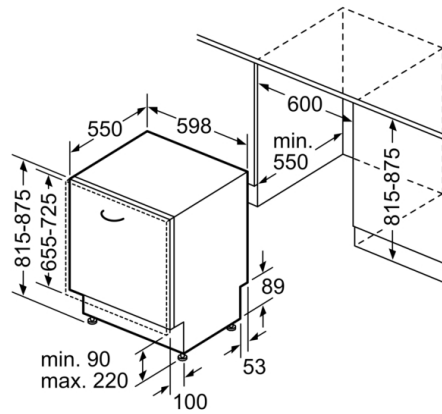
\* Please find warranty terms under [please insert here the local URL (internet address, e.g. <https://www.bosch-home.com/> but with the direct page with the warranty terms)

## Series 8, fully-integrated dishwasher, 60 cm SMV8YCX03E

measurements in mm



⌘ socket  
( ) values with extension kit



measurements in mm