

Weissgauff

EN

BUILT IN REFRIGERATOR

Fridge - Freezer

User manual

RU

ВСТРОЕННЫЙ ХОЛОДИЛЬНИК

Морозильная и холодильная камера

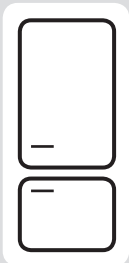
Руководство по эксплуатации

UA

ВБУДОВАНИЙ ХОЛОДИЛЬНИК

Холодильник - Морозильна камера

Інструкція користувача



WRKI 2801 MD

Index

INSTRUCTIONS PREALABLES	3
General warnings	3
Old and out-of-order fridges	5
Safety warnings	5
Installing and operating your fridge	6
Before Using your Fridge.....	7
HOW TO OPERATE THE APPLIANCE.....	8
Thermostat Setting	8
Super Freeze and low ambient switch.....	9
Warnings about Temperature Adjustments.....	9
Accessories	10
Ice tray	10
Bottle holder	10
FOOD STORAGE IN THE APPLIANCE.....	11
Refrigerator Compartment.....	11
Freezer Compartment	11
CLEANING AND MAINTENANCE	12
Defrosting the Refrigerator Compartment	12
Defrosting the Freezer Compartment	13
Replacing the Refrigerator Light Bulb.....	14
SHIPMENT AND REPOSITIONING.....	14
BEFORE CALLING YOUR AFTER SALES SERVICE.....	14
Tips for saving energy	15
PARTS OF THE APPLIANCE AND THE COMPARTMENTS	16
Installation instructions and door reversibility	17

The operating instructions apply to several models. Differences may therefore occur.

General warnings

WARNING: Keep ventilation openings, in the appliance enclosure or in the built-in structure, clear of obstruction.

WARNING: Do not use mechanical devices or other means to accelerate the defrosting process, other than those recommended by the manufacturer.

WARNING: Do not use electrical appliances inside the food storage compartments of the appliance, unless they are of the type recommended by the manufacturer.

WARNING: Do not damage the refrigerant circuit.

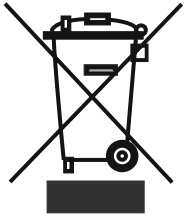
WARNING: To avoid a hazard due to the instability of the appliance, it must be fixed in accordance with the instructions.

- If your appliance uses R600a as a refrigerant – you can learn this information from the label on the cooler- you should be careful during shipment and installation to prevent your appliance's cooler elements from being damaged. Although R600a is an environmentally friendly and natural gas. As it is explosive, in the event of a leak due to damage to the cooler elements, move your fridge from open flame or heat sources and ventilate the room where the appliance is located for a few minutes.
- While carrying and positioning the fridge, do not damage the cooler gas circuit.
- Do not store explosive substances such as aerosol cans with a flammable propellant in this appliance.
- This appliance is intended to be used in household and similar applications such as;
 - staff kitchen areas in shops, offices and other working environments
 - farm houses and by clients in hotels, motels and other residential type environments
 - bed and breakfast type environments;
 - catering and similar non-retail applications

- If the socket does not match the refrigerator plug, it must be replaced by the manufacturer, its service agent or similarly qualified persons in order to avoid a hazard.
- This appliance is not intended for use by persons (including children) with reduced physical, sensory or mental capabilities, or lack of experience and knowledge, unless they have been given supervision or instruction concerning use of the appliance by a person responsible for their safety. Children should be supervised to ensure that they do not play with the appliance.
- A specially grounded plug has been connected to the power cable of your refrigerator. This plug should be used with a specially grounded socket of 16 amperes. If there is no such socket in your house, please have it installed by an authorized electrician.
- This appliance can be used by children aged from 8 years and above and persons with reduced physical, sensory or mental capabilities or lack of experience and knowledge if they have been given supervision or instruction concerning use of the appliance in a safe way and understand the hazard involved. Children shall not play with the appliance. Cleaning and user maintenance, shall not be made by children without supervision.
- If the supply cord is damaged, it must be replaced by the manufacturer, its service agent or similar qualified persons in order to avoid a hazard.

Old and out-of-order fridges

- If your old fridge has a lock, break or remove the lock before discarding it, because children may get trapped inside it and may cause an accident.
- Old fridges and freezers contain isolation material and refrigerant with CFC. Therefore, take care not to harm environment when you are discarding your old fridges.



Please ask your municipal authority about the disposal of the WEEE for the reuse, recycle and recovery purposes.

Notes:

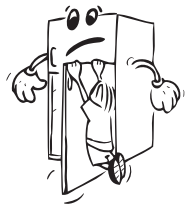
- Please read the instruction manual carefully before installing and using your appliance. We are not responsible for the damage occurred due to misuse.
- Follow all instructions on your appliance and instruction manual, and keep this manual in a safe place to resolve the problems that may occur in the future.
- This appliance is produced to be used in homes and it can only be used in domestic environments and for the specified purposes. It is not suitable for commercial or common use. Such use will cause the guarantee of the appliance to be cancelled and our company will not be responsible for the losses to be occurred.
- This appliance is produced to be used in houses and it is only suitable for cooling / storing foods. It is not suitable for commercial or common use and/or for storing substances except for food. Our company is not responsible for the losses to be occurred in the contrary case.

Safety warnings

- Do not use multiple receptacles or extension cord.
- Do not plug in damaged, torn or old plugs.
- Do not pull, bend or damage the cord.
- Do not twist and bend the cables, and keep them away from hot surfaces.



- After installation make sure that the power cable is not trapped underneath appliance.
- This appliance is designed for use by adults, do not allow children to play with the appliance or let them hang off the door.
- Do not plug-in or out the plug from the receptacle with wet hands to prevent electrocution!



- Do not place glass bottles or beverage cans in the freezer department. Bottles or cans may explode.
- Do not place explosive or flammable material in your fridge for your safety. Place drinks with higher alcohol amount vertically and by closing their necks tightly in the fridge department.
- When taking ice made in the freezer department, do not touch it, ice may cause ice burns and/or cuts.
- Do not touch frozen goods with wet hands! Do not eat ice-cream and ice cubes immediately after you have taken them out of the freezer department!
- Do not re-freeze frozen goods after they have melted. This may cause health issues like food poisoning.
- Do not cover the body or top of fridge with lace. This affects the performance of your fridge.
- Do not operate any electrical appliances inside the refrigerator or freezer.
- Fix the accessories in the fridge during transportation to prevent damage to accessories.



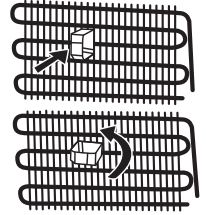
Installing and operating your fridge

Before starting to use your fridge, you should pay attention to the following points:

- Operating voltage for your fridge is 220-240 V at 50Hz.
- The plug must be accessible after installation.
- There can be an odor when you first switch on the appliance. It will disappear after the appliance starts to cool.
- Before making the connection to the power supply, ensure that the voltage on the nameplate corresponds to the voltage of electrical system in your home.
- Insert the plug into a socket with an efficient ground connection. If the socket has no ground contact or the plug does not match, we suggest you to call an authorized electrician for assistance.
- The appliance must be connected with a properly installed fused socket. Power supply (AC) and voltage at the operating point must with the details on the name plate of the appliance (name plate is located on the inside left of the appliance).
- We do not take responsibility for damages that occur due to ungrounded usage.
- Place your fridge in a place that it would not be exposed to direct sunlight.
- Your fridge should never be used outdoors or left under the rain.
- Your appliance should be at least 50 cm away from stoves, Gas ovens and heaters, and should be at least 5 cm away from electrical ovens.
- When your fridge is placed next to a deep freezer, there should be at least 2 cm between them to prevent humidity on the outer surface.
- Do not place heavy items on the appliance.
- Clean the appliance thoroughly, especially in the interior, before use (See Cleaning and Maintenance).
- Installation procedure into the kitchen unit is given in the The installation procedure into the kitchen unit is given in the Installation Manual. This product is intended to be used in proper kitchen units only.

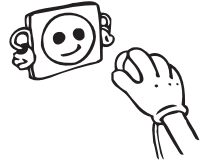


- The adjustable front legs should be adjusted to make sure your appliance is level and stable. You can adjust the legs by turning them clockwise (or in the opposite direction). This should be done before placing food in the fridge.
- Before using your fridge, wipe all parts back with warm water added with a tea spoonful of sodium bicarbonate, and then rinse with clean water and dry. Place all parts after cleaning.
- Install the plastic distance guide (the part with black vanes at the rear) by turning it 90° as shown in the figure to prevent the condenser from touching the wall.
- Refrigerator should be placed against a wall with a free distance not exceeding 75 mm.



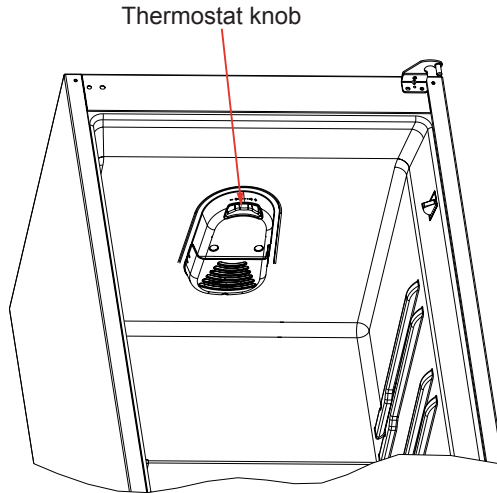
Before Using your Fridge

- When it is operated for the first time or after transportation, keep your fridge in the upright position for 3 hours and plug it on to allow efficient operation. Otherwise, you may damage the compressor.
- Your fridge may have a smell when it is operated for the first time; the smell will fade away when your fridge starts to cool.



PART - 2. HOW TO OPERATE THE APPLIANCE

Thermostat Setting



Freezer thermostat automatically regulates the inside temperature of the compartments. By rotating the knob from position 1 to 5, colder temperatures can be obtained.

Important note: Do not try to rotate knob beyond 1 position it will stop your appliance.

Freezer & Refrigerator Thermostat Setting;

1 - 2 : For short-term storage of food in the freezer compartment, you can set the knob between minimum and medium position.

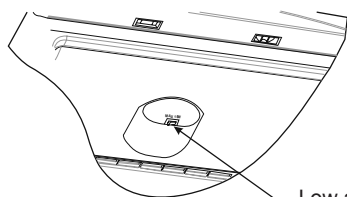
3 - 4 : For long-term storage of food in the freezer compartment, you can set knob to medium position.

5 : For freezing the fresh food. The appliance will run for colder temperatures.

For A+ models

The freezer compartment, marked with the ******** symbol, is used for storing frozen food and freezing fresh or cooked food. It also allows the making of ice cubes. The upper shelf of the freezer, marked with the ****** symbol, is especially suitable for storing ice cream or frozen food with a short storage time.

Super Freeze and low ambient switch (In some models)



Low ambient
temperature control switch

0 : OFF position.

I : ON position.

a) Super freezing: If ambient temperature is more than 18 °C , this switch can be used as superfreeze switch.

The appliance will work longer when superfreeze button is switched on for freezing the fresh food. So after you get the cold condition (minimum 24 hours later) superfreeze button should be switched off because of energy saving.

b) Low ambient performance: If ambient temperature is less than 18°C , this button should be switched on for improving low ambient performance.

If ambient temperature is more than 18°C this button should be switched off because of energy saving (except freezing fresh food)

Please not that:

For energy saving do not switch on "I" position, If you do not need.

Warnings about Temperature Adjustments

- It is not recommended that you operate your fridge in environments colder than 10°C in terms of its efficiency.
- Temperature adjustments should be made according to the frequency of door openings and the quantity of food kept inside the fridge.
- Your fridge should be operated up to 24 hours according to the ambient temperature without interruption after being plugged in to be completely cooled. Do not open doors of your fridge frequently and do not place much food inside it in this period.
- A 5 minute delaying function is applied to prevent damage to the compressor of your fridge, when you take the plug off and then plug it on again to operate it or when an energy breakdown occurs. Your fridge will start to operate normally after 5 minutes.
- Your fridge is designed to operate in the ambient temperature intervals stated in the standards, according to the climate class stated in the information label. We do not recommend operating your fridge out of stated temperatures value limits in terms of cooling effectiveness.

Climate class	Ambient Temperature (°C)
T	Between 16 and 43 °C
ST	Between 16 and 38 °C
N	Between 16 and 32 °C
SN	Between 10 and 32 °C

Accessories

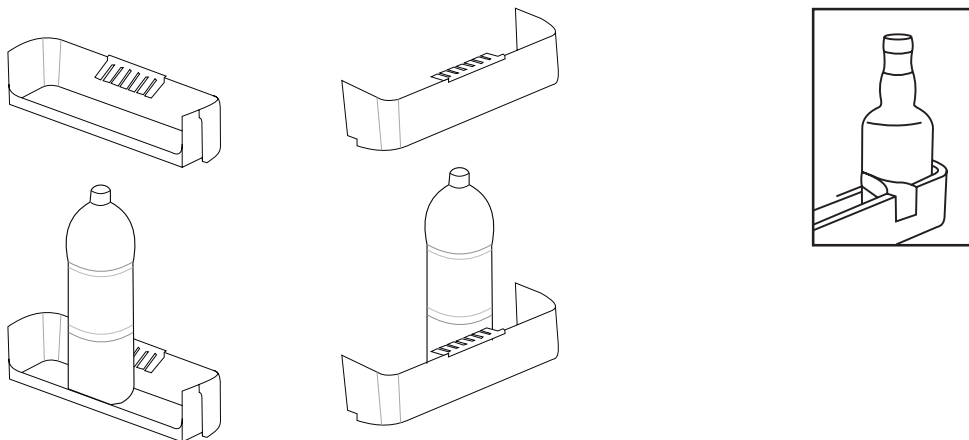
Ice tray

- Fill the ice tray with water and place in freezer compartment.
- After the water completely turned into ice, you can twist the tray as shown below to get the ice cube.



Bottle holder (optionally)

In order to prevent the bottles to slip or fall over you can use the bottle holder. You can also prevent making noise that will be done when you open or close the door.



All written and visual descriptions in the accessories may vary according to the appliance model.

PART - 3. FOOD STORAGE IN THE APPLIANCE

Refrigerator Compartment

Refrigerator compartment is used for storing fresh food for few days.

- Do not place food in direct contact with the rear wall of the refrigerator compartment. Leave some space around food to allow circulation of air.
- Do not place hot food or evaporating liquid in the refrigerator.
- Always store food in closed containers or wrapped.
- To reduce humidity and avoid formation of frost, never place liquids in unsealed containers in the refrigerator.
- Meat of all types, wrapped in packages, is recommended to be placed on the glass shelf just above the vegetable bin, where the air is colder.
- You can put the fruits and vegetables into crisper without packing.
- To avoid the cold air escaping, try not to open the door too often, and not leave the door open for a long time.

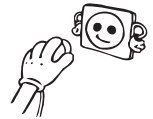
Freezer Compartment

Freezer compartment is used for freezing fresh foods and for storing frozen foods for the period of time indicated on packaging, and for making ice cubes.

- **For freezing fresh food;** wrap and seal fresh food properly, that is the packaging should be air tight and shouldn't leak. Special freezer bags, aluminum foil (heavy grade, in doubt double wrap), polythene bags and plastic containers are ideal.
- Do not allow the fresh food to be frozen to come into contact with the already frozen food.
- Always mark the date and the content on the pack and do not exceed the stated storage time.
- In case of a power failure or malfunction, the freezer compartment will maintain a sufficiently low temperature for food storage. However, avoid opening the freezer door to slow down the temperature rise within the freezer compartment.
- The maximum amount of fresh foods that can be loaded in the freezer within 24 hours is indicated on the name plate (see Freezing Capacity).
- Never place warm food in the freezer compartment.
- **When purchasing and storing frozen food products;** ensure that the packaging is not damaged.
- The storage time and the recommended temperature for storing frozen foods are indicated on the packaging. For storing and using, follow the manufacturer's instructions. If no information is provided, food should not be stored for more than 3 months.
- Place frozen food in the freezer compartment as soon as possible after buying it.
- Once the food is thawed, it must not be refrozen; you must cook it as quickly as possible in order to consume or to freeze once again.
- **Storage:** If you want to use the maximum net capacity, you can remove the drawers and store the items directly on the cooling tubes. This will enable you to make use of the entire volume of the compartment.

PART - 4. CLEANING AND MAINTENANCE

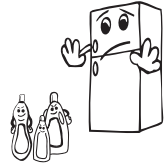
- Disconnect the appliance from the power supply before cleaning.



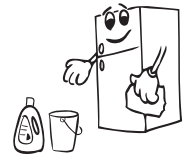
- Do not pour water over the appliance.



- The refrigerator compartment should be cleaned periodically using a solution of bicarbonate of soda and lukewarm water.



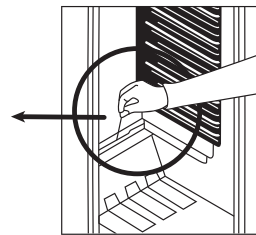
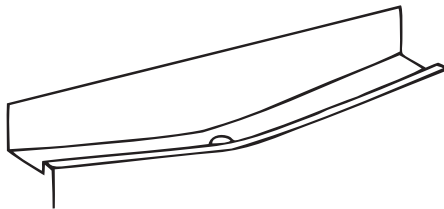
- Clean the accessories separately with soap and water. Do not put them in the dishwasher.



- Do not use abrasive products, detergents or soaps. After washing, rinse with clean water and dry carefully. When the cleaning operations have been completed, reconnect the plug with dry hands.



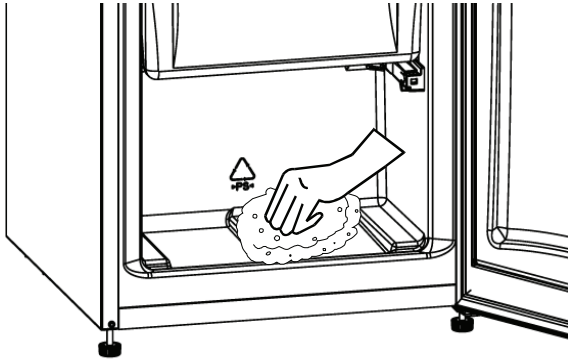
Defrosting the Refrigerator Compartment



- Defrosting occurs automatically in refrigerator compartment during operation; the defrost water is collected by the evaporating tray and evaporates automatically.
- The evaporating tray and the defrost water drain hole should be cleaned periodically with defrost drain plug to prevent the water from collecting on the bottom of the refrigerator instead of flowing out.
- You can also pour $\frac{1}{2}$ glass of the water to drain hole to clean inside.

Defrosting the Freezer Compartment

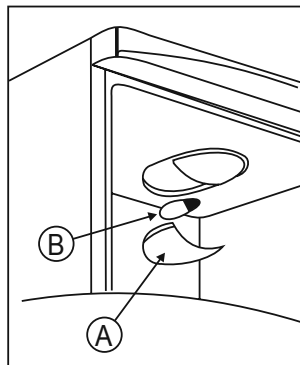
- The frost, which covers the shelves of the freezer compartment, should be removed periodically.
- Do not use sharp metal objects for this operation. They could puncture the refrigerator circuit and cause irreparable damage to the unit. Use the plastic scraper provided.
- When there is more than 5 mm of frost on the shelves, defrosting must be done.
- Before defrosting operation, place the frozen food in a cool place after wrapping them in sheets of newspaper in order to obtain its temperature steady for long time.
- To accelerate the defrosting process place one or more basins of warm water in the freezer compartment.



- Dry the inside of the compartment with a sponge or a clean cloth.
- Once the unit has been defrosted, place the food into freezer and remember to consume them in a short period of time.

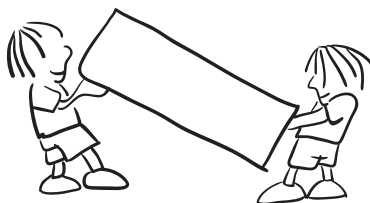
Replacing the Refrigerator Light Bulb

1. Unplug the unit from the power supply,
2. Remove the refrigerator light cover (A) by pressing the hooks placed on both sides of the cover.
3. Change the light bulb (B) with a new one (not more than 15 W).
4. Place the light cover in its place and plug the unit.



PART - 5. SHIPMENT AND REPOSITIONING

- Original package and foam may be kept for re-transportation (optionally).
- You should fasten your fridge with thick package, bands or strong cords and follow the instructions for transportation on the package for re-transportation.
- Remove movable parts (shelves, accessories, vegetable bins etc.) or fix them into the fridge against shocks using bands during re-positioning and transportation.
- Carry your fridge in the upright position.



PART - 6. BEFORE CALLING YOUR AFTER SALES SERVICE

If your refrigerator is not working properly, it may be a minor problem, therefore check the following.

The appliance does not operate,

Check if;

- There is a power failure,
- The mains plug is not properly plugged in, or is loose
- The thermostat setting is on position “•”,
- The socket is defective. To check this, plug in another appliance that you know which is working into the same socket.

The appliance performs poorly;

Check if;

- You have overloaded the appliance,
- The doors are not closed perfectly,
- There are not enough ventilation ducts on the kitchen unit as mentioned in the Installation Manual.

If there is noise;

The cooling gas which circulates in the refrigerator circuit may make a slight noise (bubbling sound) even when the compressor is not running. Do not worry, this is quite normal. If these sounds are different check if;

- The appliance is installed firmly as described in the installation manual.
- The objects on the appliance are vibrating.

If there is water in the lower part of the refrigerator;

Check if;

The drain hole for defrost water is not clogged (use defrost drain plug to clean the drain hole).

IMPORTANT NOTES:

- In case of a sudden power loss or disconnecting and reconnecting of the plug to the electrical socket, the compressor protective thermal element will be opened as the pressure of the gas in the cooling system of your refrigerator has not yet been balanced. 4 or 5 minutes later, your refrigerator will start to operate; this is normal.
- If you won't be using your refrigerator for a long time (such as on summer holidays), please disconnect the plug from the socket. Clean your refrigerator as per Part 4 of this document and leave the door open to prevent any humidification or odor formation.
- If there is still a problem with your refrigerator although you have followed the instructions in this book, please consult your nearest authorized service center.
- The life cycle of this product as determined and proclaimed by the Ministry of Industry (the period for making spare parts available for the product to be able to fulfill its functions) is 10 years.

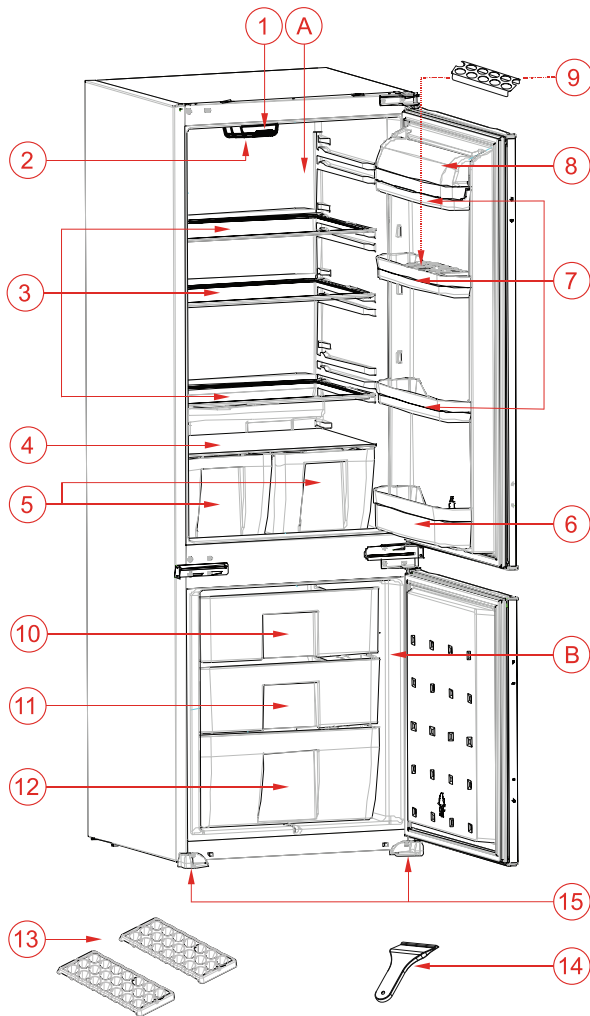
Conformity Information

- This appliance is designed for use at an ambient temperature within the 16°C - 32°C range.
- The appliance is designed in compliance with the IEC60335-1 / IEC60335-2-24, 2004/108/EC standards.

Tips for saving energy

1. Install the appliance in a cool, well ventilated room, but not in direct sunlight and not near heat source (radiator, cooker.. etc).
2. Allow warm food and drinks to cool down outside the appliance.
3. When thawing frozen food, place it in the refrigerator compartment. The low temperature of the frozen food will help to cool the refrigerator compartment when it is thawing. So it causes energy saving. If the frozen food is put out, it causes wastage of energy.
4. When placing, food and drinks they must be covered.
5. When placing food and drinks, open the appliance door as briefly as possible.
6. Keep the covers closed for the different compartments to avoid changing the temperature of each section. (crisper, chillier ...etc).
7. Door gasket must be clean and pliable. Replace gaskets if worn.

PART - 7. PARTS OF THE APPLIANCE AND THE COMPARTMENTS



A) Refrigerator compartment
B) Freezer compartment

- 1) Thermostat knob
- 2) Refrigerator lamp & cover
- 3) Refrigerator shelves
- 4) Crispers cover
- 5) Crispers
- 6) Bottle shelf
- 7) Door shelves
- 8) Upper shelf cover *
- 9) Egg holder
- 10) Freezer room cover
- 11) Freezer comp. drawer
- 12) Freezer comp. bottom drawer
- 13) Ice plates
- 14) Plastic ice blade
- 15) Foot hinge

* In some models

This presentation is only for information about the parts of the appliance.
Parts may vary according to the appliance model.

Installation instructions and door reversibility

Installation

- ! Before installation, read the instructions carefully.
 - ! Fit the refrigerator/freezer in stable kitchen units only.
 - ! If necessary, reverse the door according to instructions.
 - ! Check the installation dimensions according to fig.C. The position of the joint between the unit doors must be level with the position of the joint between the appliance doors.
1. See fig.A for the necessary attachment components.
 2. Insert **trim flap**¹ into slot and screw by **screws**⁶. (fig.D)
 3. Pass the power cord through ventilation shaft and position it so that the appliance could be easily plugged in once it has been installed. (fig.B - fig.C)
 4. Take out the **trim gasket**² located on the side panel of the appliance and stick it on reverse side of the door hinges of the appliance. (fig.D - fig.E)
 5. Raise appliance and slide into kitchen unit. Push appliance to the reverse side of door hinges providing that **trim gasket**² covers space between appliance and the kitchen unit.
 6. Align front feet with front surface of kitchen unit. (fig.F)
 7. Screw the front feet by using **screws**⁵. (fig.F)
 8. Screw **trim flap**¹ to kitchen unit using **screws**⁵. (fig.G)
 9. Screw **fixing bracket**¹¹, as leaned to kitchen unit by using **screws**⁵. Repeat this for the opposite side. (fig.H)
 10. Screw **guides**³ to appliance doors with **screws**⁶. Lean appliance doors to unit door as it is opened at right angle. Slide **rails**⁴ into **guides**³ aligning the **groove**. Screw the **rails**⁴ to the unit doors with **screws**⁵. (fig.J)
 11. Set 1~2 mm gap on handle side between unit itself and unit doors by adjusting **guides**³. That is vital for appliance performance. (fig.J)

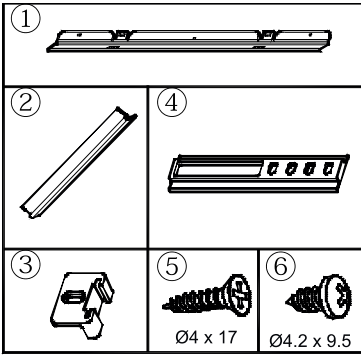


Figure A

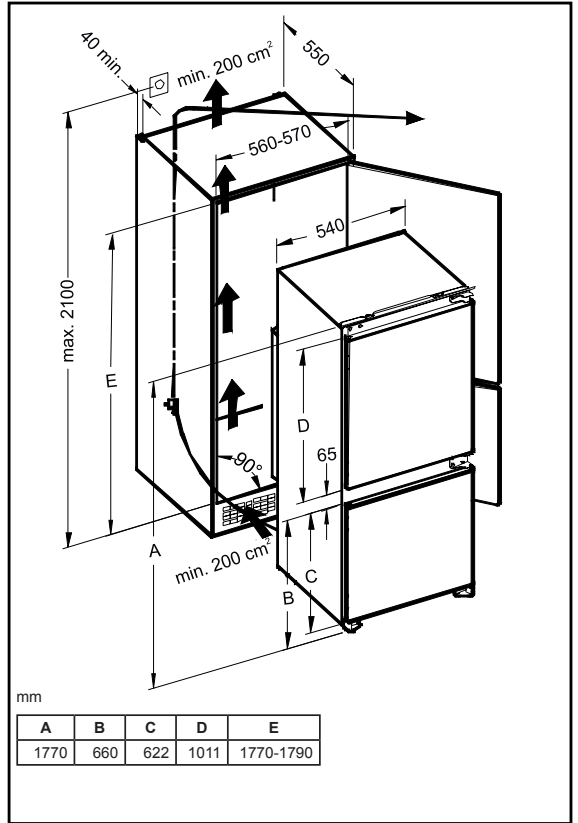


Figure C

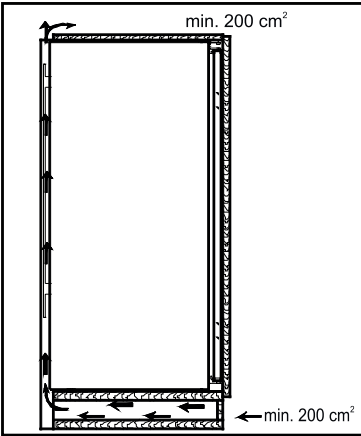


Figure B

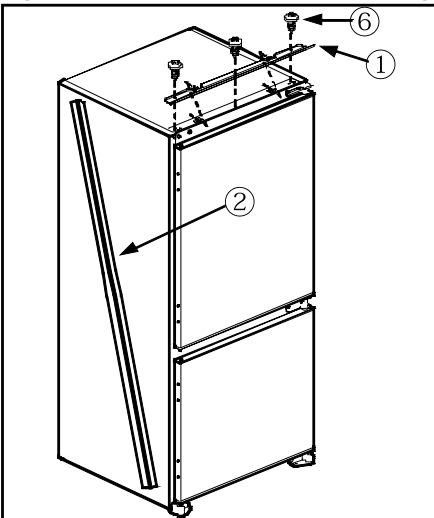


Figure D

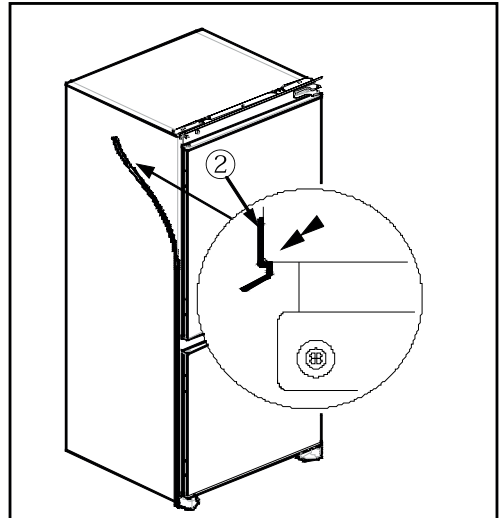


Figure E

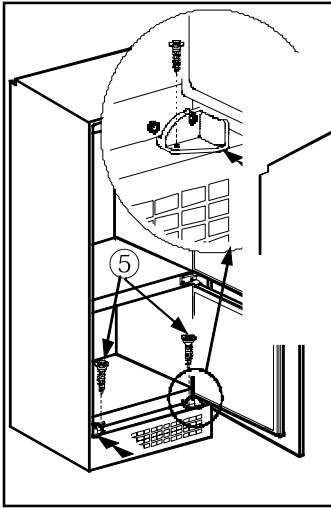


Figure F

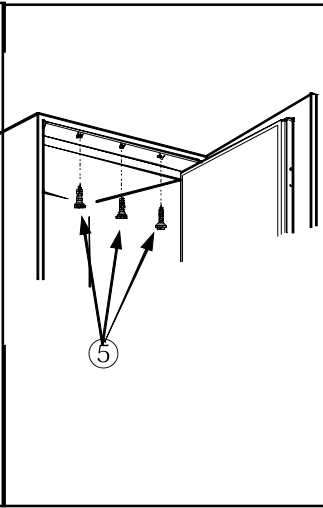


Figure G

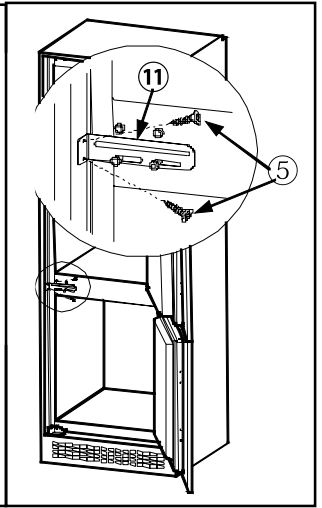


Figure H

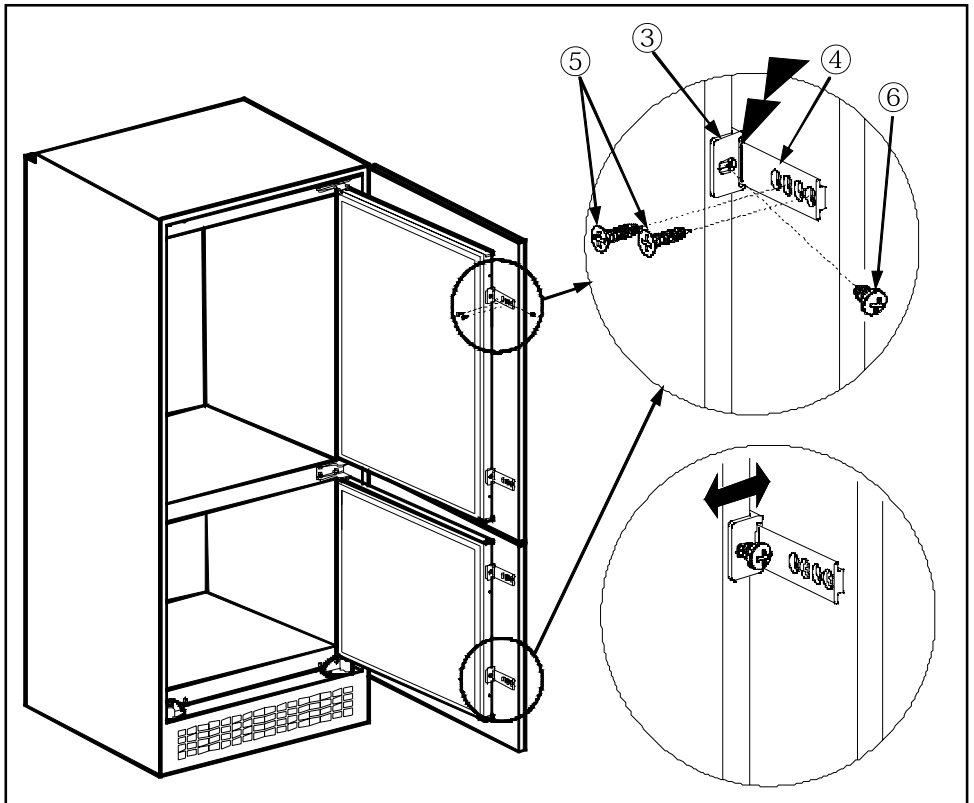


Figure J

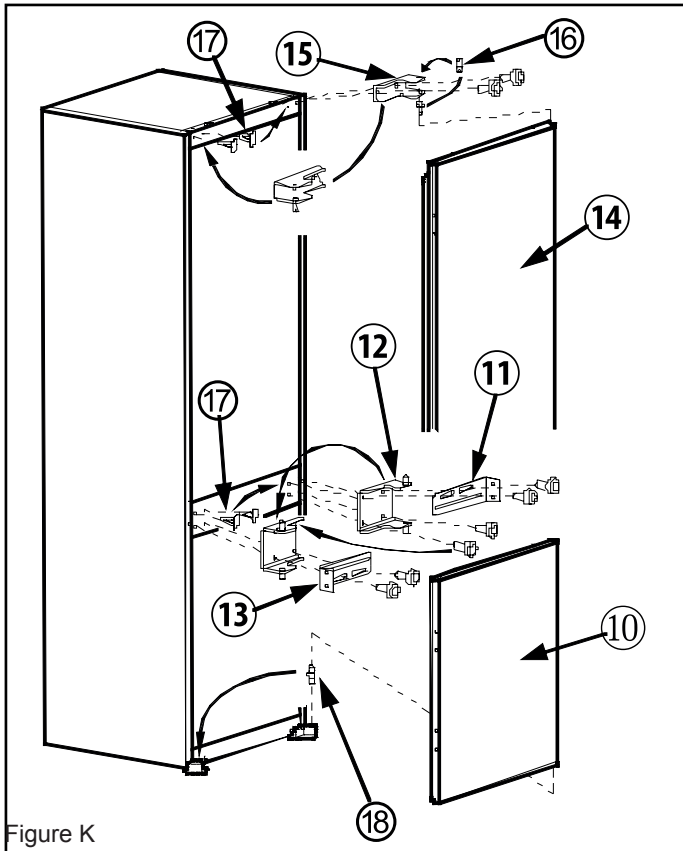


Figure K

Door reversing

1. Unscrew **upper door hinge**¹⁵ and take **upper door**¹⁴ to safe place.
2. Unscrew **door hinge pin**¹⁶ and screw it to opposite side firmly and take to safe place.
3. Unscrew **middle door hinge**¹² and take **lower door**¹⁰ to safe place. Screw back **fixing bracket**¹¹ to original position without **middle door hinge**¹².
4. Take **door lower pin**¹⁸ to opposite side.
5. Take **hole plugs**¹⁷ to empty holes on opposite side.
6. Place **lower door**¹⁰ over **door lower pin**¹⁸ and close onto cabinet.
7. Unscrew **fixing bracket**¹³. Position **middle door hinge**¹² onto **lower door**¹⁰. Place **fixing bracket**¹¹ onto **middle door hinge**¹² and screw together onto cabinet firmly.
8. Place **upper door**¹⁴ over **middle door hinge**¹² and position **upper door hinge**¹⁵ over **upper door**¹⁴ and then screw **upper door hinge**¹⁵ firmly onto opposite side of original position.

СОДЕРЖАНИЕ

ПРЕЖДЕ ЧЕМ ВКЛЮЧАТЬ ХОЛОДИЛЬНИК	22
Предупреждения общего характера	22
Рекомендации по утилизации	24
Правила и условия безопасной эксплуатации	25
Установка и эксплуатация холодильника	26
До начала эксплуатации холодильника	27
КАК ЭКСПЛУАТИРОВАТЬ УСТРОЙСТВО	28
Регулировка термостата	28
Переключатель супер-охлаждения и низкой температуры наружного воздуха	29
Предупреждения по поводу настройки температуры	29
Аксессуары	30
Форма для льда	30
Держатель бутылок	30
ХРАНЕНИЕ ПРОДУКТОВ В ХОЛОДИЛЬНИКЕ	31
Холодильное отделение	31
Морозильное отделение	31
ОЧИСТКА И УХОД	32
Размораживание	33
Холодильная камера	33
Морозильная камера	33
Замена внутренней лампочки холодильника	34
ТРАНСПОРТИРОВКА И ИЗМЕНЕНИЕ МЕСТА УСТАНОВКИ ..	34
ПРЕЖДЕ ЧЕМ ЗВОНИТЬ В СЕРВИСНУЮ СЛУЖБУ	34
Советы по энергосбережению	36
ДЕТАЛИ И УСТРОЙСТВО ПРИБОРА	37
Инструкции по установке	38
Перевешивание дверцы	41

Данные инструкции по эксплуатации применимы к нескольким моделям. Поэтому могут существовать отличия.

Предупреждения общего характера

ПРЕДУПРЕЖДЕНИЕ: Устанавливайте прибор в вентилируемое место с возможностью отвода тепла в ходе эксплуатации устройства.

ПРЕДУПРЕЖДЕНИЕ: Не используйте механические устройства, нагревательные приборы, или другие технические средства для ускорения процесса размораживания, не рекомендованные производителем.

ПРЕДУПРЕЖДЕНИЕ: Не используйте электроприборы внутри отсеков для хранения продуктов, если они не относятся к типу, рекомендованному производителем.

ПРЕДУПРЕЖДЕНИЕ: Не нарушайте систему циркуляции хладагента.

ПРЕДУПРЕЖДЕНИЕ: Во избежание поломки прибора, а также опасности возможных травм во время эксплуатации, устанавливайте прибор на ровной поверхности, фиксируйте его в соответствии с инструкцией.

- Если в устройстве используется хладагент R600a, то соответствующая информация указана на информационной маркировке, имеющейся на компрессоре. Чтобы не повредить компрессор, соблюдайте осторожность при транспортировке и установке. R600a является экологически безвредным и безопасным природным хладагентом. Однако необходимо встраивать ваш прибор вдали от источников открытого пламени или сильного тепла. Для предотвращения взрыва и/или воспламенения, в случае утечки хладагента перекройте все источники открытого пламени, и на несколько минут откройте окна для проветривания помещения.
- Во время транспортировки и установки холодильника не допускайте повреждения охлаждающей системы циркуляции.
- Ни при каких обстоятельствах не храните в приборе или в непосредственной близости от него взрывоопасные

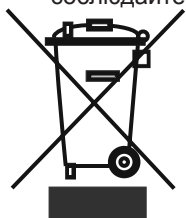
- вещества, в том числе аэрозольные баллоны с легко воспламеняющимся содержимым.
- Прибор предназначен только для бытового использования и для использования в ситуациях, приведенных ниже:
 - поварским персоналом в зонах питания при магазинах, офисах и в других подобных рабочих зонах.
 - в дачных домах, коттеджах, для использования клиентами в номерах отелей, мотелей или других подобных местах проживания.
 - в гостиницах типа «полупансион».
 - в местах общественного питания и подобных заведениях, не связанных с розничной торговлей.
- Если штепсельная вилка прибора не совпадает по конструкции с вашей розеткой, обратитесь за помощью к квалифицированному специалисту авторизованного сервисного центра. Подключайте прибор в сеть с напряжением, указанным на приборе.
- Данное устройство не предназначено для использования лицами (включая детей) с ограниченными физическими, сенсорными или умственными возможностями, или с отсутствием опыта и знаний при отсутствии надзора или инструкций по использованию устройства со стороны лица, ответственного за их безопасность. Необходимо следить за детьми с целью предотвращения игр с холодильником.
- В шнуре питания холодильника используется штепсельная вилка со специальным заземлением. Данный штепсель должен использоваться только со специальной заземленной розеткой на 16 ампер. Если в вашем доме отсутствует такая розетка, для ее установки обращайтесь только к квалифицированному электрику.
- Запрещается любое другое нецелевое использование, не указанное в данных инструкциях. Устройство может использоваться детьми, приблизительно в возрасте от 8 лет и старше при условии, что дети используют прибор под присмотром взрослых, обучены пользованию прибором и предупреждены о рисках, ассоциирующихся с использованием

прибора. Прибор и сетевой кабель прибора следует размещать вне досягаемости детей в возрасте до 8 лет. Не позволяйте детям играть с прибором.

- Не пользуйтесь прибором с поврежденным электрическим шнуром или штепсельной вилкой. Не пытайтесь отремонтировать прибор самостоятельно. Замена электрического шнура и штепсельной вилки должна производиться только в уполномоченном сервисном центре.

Рекомендации по утилизации

- Снимите все двери с Вашего старого холодильника или морозильника перед тем, как его выбросить. В противном случае дети или животные могут забраться внутрь и задохнуться там.
- В этом холодильнике используются изоляционные материалы, в состав которых входят легко воспламеняющиеся газы. При утилизации этого устройства соблюдайте все меры предосторожности.
- Для повторного использования, переработки, восстановления и утилизации изделия следует обратиться в местные органы управления.



Примечание:

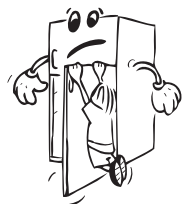
- Пожалуйста, внимательно ознакомьтесь с руководством по эксплуатации до установки и использования холодильника. Мы не несем ответственности в случае возникновения повреждений, связанных с неправильным использованием устройства.
- Следуйте всем инструкциям руководства по эксплуатации и храните его в безопасном месте для решения проблем, которые могут возникнуть в дальнейшем.
- Данное устройство предназначено только для бытового использования внутри помещений и может применяться только для указанных целей. Оно не пригодно для использования в коммерческих и иных целях. Использование прибора в других условиях приводит к аннулированию гарантийных обязательств.
- Данное устройство предназначено для использования в бытовых условиях внутри помещений и пригодно только для охлаждения/ хранения пищевых продуктов. Оно не пригодно для использования в коммерческих и иных целях или для хранения каких-либо материалов, за исключением продуктов. В противном случае наша компания не несет ответственности за возможные убытки.

Правила и условия безопасной эксплуатации

- Не применяйте штепсельную розетку с разветвителем или удлинитель.
- Не вставляйте в розетку поврежденные, изношенные или старые штепсели.
- Не отрывайте, не сгибайте и не повреждайте шнур питания.
- Не перекручивайте и не сгибайте кабели, а также держите их на достаточном расстоянии от горячих поверхностей.



- После установки убедитесь, что шнур питания не деформирован и не зажат под холодильником.
- Прибор не предназначен для детских игр, не позволяйте детям виснуть на дверцах, не оставляйте маленьких детей без присмотра.
- Во избежание электротравм, не втыкайте и не извлекайте штепсель из розетки мокрыми руками.
- Не храните стеклянные бутылки, банки с безалкогольными напитками в морозильной камере. Бутылки или жестяные банки могут взорваться.
- В целях безопасности, не храните взрывчатый или легковоспламеняющийся материал в холодильнике. Храните напитки с высоким содержанием алкоголя в морозильной камере в вертикальном положении, плотно закрыв горлышко бутылки.
- При извлечении льда, замороженного в морозильной камере, не притрагивайтесь к нему, так как лед может вызвать обморожение и/или порезы.
- Не дотрагивайтесь до замороженных продуктов влажными руками! Не ешьте мороженое и кубики льда сразу же после извлечения их из морозильной камеры!
- Не замораживайте продукты повторно после того, как они разморозились. Это может быть опасным для Вашего здоровья, так как возможно пищевое отравление.
- Не покрывайте корпус или верх холодильника отделкой. Это негативно повлияет на качество работы холодильника.
- Не эксплуатируйте какие-либо электроприборы внутри холодильной или морозильной камеры.
- Закрепляйте аксессуары в холодильнике во время транспортировки во избежание их повреждения.



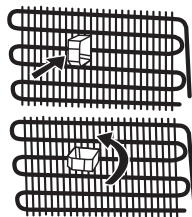
Установка и эксплуатация холодильника

Перед началом использования холодильника обратите внимание на следующие вопросы:

- Рабочее напряжение холодильника составляет 220-240 В при частоте 50 Гц.
- Обеспечьте свободный доступ к электрической розетке после установки прибора.
- При первом включении холодильника, возможно появление специфического запаха. После начала процесса охлаждения запах исчезнет.
- Перед подключением кабеля электропитания, убедитесь, что значение напряжения, указанное на табличке с техническими характеристиками, соответствует величине напряжения электрической сети Вашего дома.
- Вставьте штепсель в розетку с надлежащим заземляющим соединением. Если электрическая розетка не имеет вывода заземления, или штепсель не подходит для подключения к розетке, мы рекомендуем вам обратиться за помощью к квалифицированному электрику.
- Устройство должно подключаться к сети с надлежащим образом установленной розеткой с предохранителем. Питание (переменный ток) и напряжение в рабочей точке должны быть указаны на заводской табличке устройства (заводская табличка расположена слева внутри холодильника).
- Мы не несем ответственности за какой-либо ущерб, причиненный в результате использования холодильника без заземления.
- Поместите холодильник в такое место, которое исключает попадание прямых солнечных лучей.
- Холодильник ни при каких обстоятельствах не должен использоваться на открытом воздухе или оставляться под дождем.
- Холодильник должен находиться минимум в 50 см от кухонных плит, духовок и спиралей обогревателей, а также на расстоянии минимум 5 см от электропечей.
- Когда холодильник находится рядом с морозильным аппаратом для глубокого замораживания, расстояние между ними должно быть минимум 2 см для предотвращения выпотевания влаги на наружной поверхности.
- Не помещайте на холодильник тяжелые предметы.
- Перед использованием произведите тщательную чистку устройства, особенно внутри (см. раздел «Чистка и обслуживание»).
- Процедура установки на кухне приведена в разделе "Установка" - см. стр. 45. Изделие предназначено для использования только при встраивании на кухне, соответствующей требованиям.
- Регулируемые передние ножки необходимо установить на высоте, обеспечивающей устойчивость и правильную работу прибора. Вы можете отрегулировать опоры, поворачивая их по часовой стрелке (или в обратном направлении). Регулировку необходимо выполнить до помещения продуктов в прибор.
- Перед началом использования холодильника протрите все его части теплой водой с добавлением чайной ложки соды, а затем сполосните чистой водой и высушите. После очистки установите все детали на место.

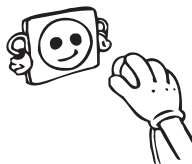


- Установите пластмассовое устройство регулировки расстояния (деталь с белыми лопастями в задней части), повернув его на 90°, чтобы не допустить соприкосновения конденсатора со стеной.



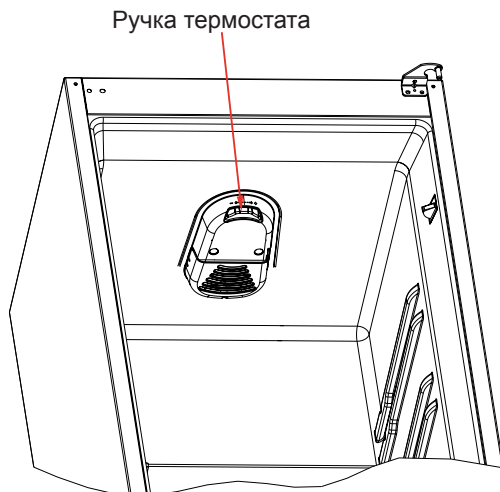
До начала эксплуатации холодильника

- При использовании холодильника в первый раз или после его транспортировки для достижения эффективной работы установите холодильник в вертикальное положение на 3 часа, а затем подключите питание. Иначе может быть поврежден компрессор.
- При использовании в первый раз холодильник может иметь запах; после начала охлаждения запах выветрится.



ЧАСТЬ 2. КАК ЭКСПЛУАТИРОВАТЬ УСТРОЙСТВО

Регулировка термостата



Обеспечивает автоматическую настройку температуры в холодильной и морозильной камере холодильника. Регулировка может производиться в диапазоне от 1 до 5. При повороте ручки термостата от 1 до 5 охлаждение усиливается.

Важное примечание: не пытайтесь вращать ручку дальше положения 1, так как в этом случае устройство будет выключено.

Ручка термостата холодильной камеры;

4 - 5 : Для интенсивного охлаждения.

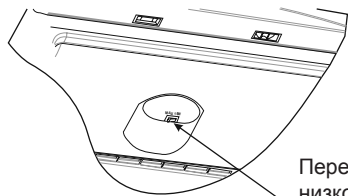
2 - 3 : Для нормальной эксплуатации.

1 : Для менее интенсивного охлаждения.

Для А + Устройства

Морозильная камера, отмеченная знаком *******, используется для хранения замороженных продуктов и замораживания свежих продуктов или приготовленных блюд. Она также позволяет приготовить кубики льда. Верхняя полка морозильной камеры, отмеченная знаком ******, лучше всего подходит для хранения мороженого или замороженных продуктов с небольшим сроком хранения.

Переключатель супер-охлаждения и низкой температуры наружного воздуха (в некоторых моделях)



Переключатель управления
низкой температурой окружающей
среды

0 : Положение Выкл.

1 : Положение Вкл.

а) Супер-охлаждение: Если температура наружного воздуха выше 18 °С и вам необходимо заморозить свежие продукты, включите кнопку режима супер-охлаждения: в этом случае прибор будет дольше замораживать продукты. После полного завершения процесса заморозки (минимум через 24 часа) кнопка супер-охлаждения должна быть выключена в целях энергосбережения.

б) Работа в условиях низкой температуры: Если температура внешней среды составляет менее 18°С, рекомендуется также нажать эту кнопку для улучшения эффективности работы в условиях низкой температуры, иначе холодильник будет работать как теплица. В остальных ситуациях рекомендуется выключить этот режим в целях энергосбережения (за исключением случаев заморозки свежих продуктов).

Следует учесть, что:

Для целей энергосбережения не активируйте положение "1" без необходимости.

Предупреждения по поводу настройки температуры

- Для достижения максимальной эффективности не рекомендуется, чтобы холодильник работал в условиях температуры воздуха ниже 10°С.
- Настройку температуры необходимо выполнять в зависимости от частоты открывания дверцы и количества продуктов, хранящихся в холодильнике.
- Для входа в режим работы полного охлаждения, рекомендуется непрерывная работа прибора в течение 24 часов после подключения в зависимости от температуры наружного воздуха. Не открывайте дверцу холодильника слишком часто и не размещайте внутри слишком много продуктов.
- Функция 5-минутной задержки применяется для предотвращения повреждения компрессора холодильника, когда его отключают из розетки, а затем снова включают для работы, или при отключениях электроэнергии. Холодильник включится через 5 минут.

- Ваш холодильник предназначен для функционирования при интервалах температур окружающей среды, обозначенных в технических условиях, в соответствии с классом климатических условий, указанных на информационной этикетке. Мы не рекомендуем осуществлять эксплуатацию холодильника, если наружная температура не будет соответствовать обозначенным температурным пределам, так как это может повлиять на охлаждающую способность устройства.

Класс климатических условий	Температура наружного воздуха
T	от 16 до 43 °C
ST	от 16 до 38 °C
N	от 16 до 32 °C
SN	от 10 до 32 °C

Аксессуары

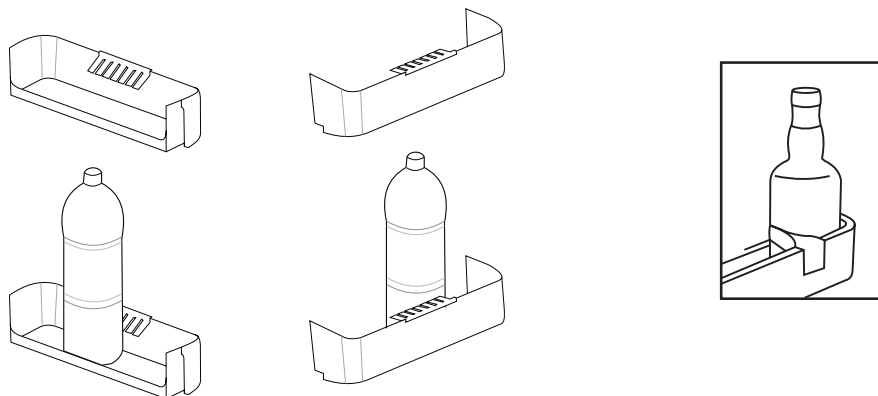
Форма для льда

- Наполните форму для льда водой и поместите в морозильную камеру.
- После того как вода полностью замерзнет вы можете повернуть форму как указано ниже чтобы достать кубик.



Держатель бутылок (опционально, в некоторых моделях)

Чтобы предотвратить падение или соскальзывание бутылок, рекомендуется использовать держатель для бутылок. Также использование держателя для бутылок позволит избежать шума, который возникает при открывании или закрывании дверцы.



Внешний вид и текстовое описание аксессуаров могут различаться в зависимости от модели холодильника.

ЧАСТЬ 3. ХРАНЕНИЕ ПРОДУКТОВ В ХОЛОДИЛЬНИКЕ

Холодильное отделение

Холодильное отделение используется для хранения свежей пищи в течение нескольких дней.

- Старайтесь, чтобы свежие продукты не касались непосредственно задней стенки холодильного отделения. Оставьте небольшой зазор для циркуляции воздуха.
- Не кладите горячую пищу или испаряющиеся жидкости в холодильник.
- Храните продукты в закрытых контейнерах или в упаковке.
- Во избежание чрезмерной влажности и образования инея, не кладите в холодильник жидкости в открытых контейнерах.
- Мясо любого типа, обернутое в упаковку, рекомендуется хранить на стеклянной полке над ящиком для овощей, где воздух прохладней.
- Фрукты и овощи можно хранить без упаковки в выдвижном ящике для фруктов.
- Во избежание утечки холодного воздуха старайтесь не открывать дверь очень часто, также не оставляйте ее открытой на долгое время.

Морозильное отделение

Морозильное отделение используется для замораживания свежих продуктов и хранения замороженных продуктов в течение срока, указанного на упаковке, а также для приготовления кубиков льда.

- Для замораживания свежих продуктов: тщательно и герметично заверните продукты в упаковку. Идеальным решением будут специальные пакеты для замораживания, алюминиевая фольга (прочная, при необходимости двойная), полиэтиленовые пакеты и пластмассовые контейнеры.
- Не допускайте прямого соприкосновения замораживаемых продуктов с уже замороженными.
- Обязательно запишите на упаковке дату и содержимое пакета, и не превышайте допустимый срок хранения.
- В случае случайного отключения или поломки, морозильное отделение может поддерживать низкую температуру в течение некоторого времени. В этот период старайтесь не открывать дверцу морозильника, чтобы сохранить достаточно низкую температуру.
- Максимальное количество свежих продуктов, которые можно заложить в морозильник, указано на информационной табличке (см. Freezer capacity).
- Ни в коем случае не кладите горячую пищу в морозильник.
- Если вы покупаете уже замороженные продукты: удостоверьтесь в том, что упаковка не повреждена.
- Срок и рекомендуемая температура хранения замороженных продуктов указана на их упаковке. Следуйте инструкциям по хранению и использованию на упаковке продукта. Если таких инструкций нет, максимальный срок хранения для пищевых продуктов составляет 3 месяца.
- Положите замороженные продукты в морозильник как можно быстрее после покупки.

- Если продукты оттаяли, их нельзя вновь замораживать; необходимо приготовить их как можно быстрее и либо съесть, либо заморозить их уже после приготовления.
- **Чтобы приготовить кубики льда**, залейте форму водой и поместите ее в морозильник. После того как вода полностью превратится в лед, извлеките кубики можно, повернув форму, как показано на иллюстрации выше.

ЧАСТЬ 4. ОЧИСТКА И УХОД

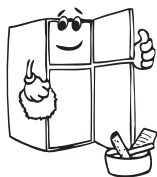
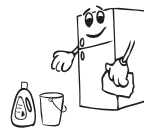
- **Убедитесь, что Вы отключили холодильник от сети перед его очисткой.**



- При мытье холодильника не лейте на него воду.



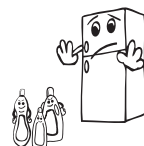
- Вы можете протереть внутренние и внешние стороны мягкой тканью или губкой с использованием теплой мыльной воды.



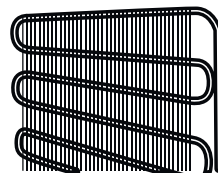
- Каждую деталь следует очистить мыльной водой отдельно. Не проводить очистку в посудомоечной машине.



- Никогда не используйте для очистки холодильника воспламеняющийся, взрывчатый или агрессивный материал, вызывающий коррозию, к примеру, растворители, газы, кислоты.



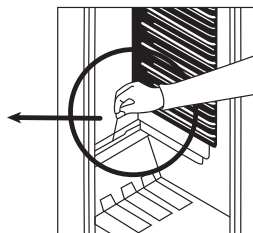
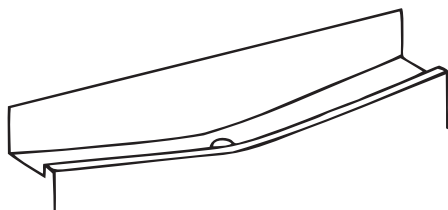
- Для экономии электроэнергии и улучшения показателей работы, необходимо проводить очистку испарителя щеткой, по крайней мере, один раз в год.



Убедитесь, что Вы выключили холодильник из сети при его очистке.

Размораживание

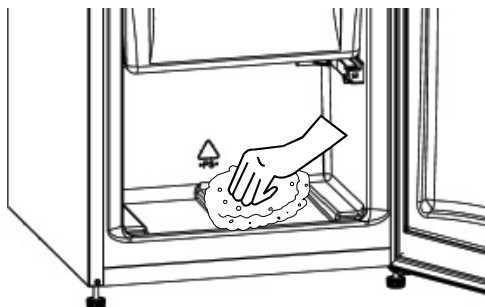
Холодильная камера



- Размораживание холодильного отделения происходит автоматически во время работы; талая вода собирается на испарительном поддоне и самостоятельно испаряется.
- Испарительный поддон и трубку слива талой воды следует периодически чистить с помощью иглы, чтобы предотвратить скопление воды в нижней части холодильника.
- Для промывки сливной трубки можно залить в нее полстакана чистой воды.

Морозильная камера

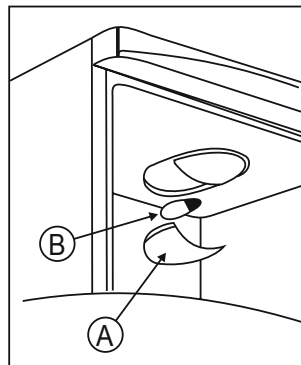
- Наледь, скапливающаяся на полках, должна периодически удаляться.
- Не используйте острые металлические предметы для этой операции. Они могут пробить охлаждающий контур холодильника и повредить устройство. Используйте специальный пластиковый скребок.
- Когда толщина наледи на полках составляет более 5 мм, необходимо произвести размораживание.
- Поместите замороженные продукты в прохладное место, завернув их в газетные листы, чтобы они как можно дольше сохранились охлажденными.
- Для ускорения процесса размораживания в морозильную камеру можно поместить одну или несколько мисок с теплой водой.



- Протрите внутреннюю часть устройства губкой или чистой тканью.
- Сразу после окончания процесса разморозки, выньте замороженные охлажденные продукты из газет и поместите их в морозильную камеру. Рекомендуется использовать их в ближайшее время.

Замена внутренней лампочки холодильника

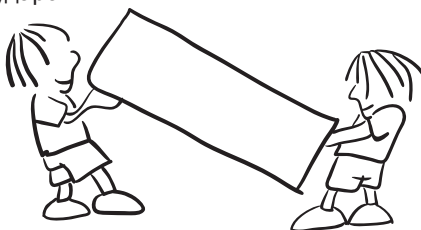
1. Отключите холодильник от сети.
2. Снимите крышку плафона холодильника (А), нажав на лапки по бокам крышки.
3. Замените лампочку (В) на новую (не мощнее 15 Вт).
4. Установите крышку на место и включите холодильник.



ЧАСТЬ 5. ТРАНСПОРТИРОВКА И ИЗМЕНЕНИЕ МЕСТА УСТАНОВКИ

Транспортировка и изменение места установки

- Для повторной транспортировки рекомендуется сохранить оригинальную упаковку и пенопласт.
- Снять подвижные детали (полки, вспомогательные приспособления, контейнеры для овощей и т.д.) или зафиксировать их во время транспортировки или повторной установки с помощью ленты во избежание ударов.
- Упаковать холодильник в толстую упаковку, обернуть лентой и прочными веревками и следовать инструкциям по транспортировке, содержащимся на упаковке.
- Переносите холодильник в вертикальном положении.



ЧАСТЬ 6. ПРЕЖДЕ ЧЕМ ЗВОНИТЬ В СЕРВИСНУЮ СЛУЖБУ

Если Ваш холодильник работает неправильно, проблема может быть незначительной. Поэтому перед обращением к специалистам, для сохранения денег и времени, проверьте следующее:

Прибор не работает. Проверьте следующее (возможные причины):

- Отсутствует электропитание в сети или вилка неплотно вставлена в розетку;
- Общий выключатель электроэнергии в Вашем доме отключен;
- Ручка термостата стоит в положении "1" (в этом случае поставьте ручку термостата в большее положение);
- Розетка может быть неисправной. Чтобы проверить это, подключите к этой розетке заведомо исправный электроприбор.

Холодильник работает неэффективно, Проверьте:

- Не перегрузили ли вы холодильник,
- Плотна ли закрыта дверь,
- Достаточно ли вентиляция - проверьте расстояние между задней стенкой и стеной кухонного шкафа.

Слышен шум:

Охлаждающий газ в холодильном контуре может издавать слабый шум (бульканье) даже когда компрессор не работает. Не беспокойтесь, это абсолютно нормально. Если же слышен шум другого рода, проверьте:

- Ровно ли установлен холодильник (см.инструкцию по установке);
- Не вибрируют ли предметы внутри холодильника.

Если в нижней части холодильника скапливается вода, проверьте следующее:

не засорилась ли сливная трубка для талой воды (для прочистки трубки используйте иглу).

Рекомендации

- Блок охлаждения холодильника скрыт в задней стенке. Следовательно, внутри холодильника (на задней поверхности) могут появляться капельки воды или лед в силу того, что компрессор работает с определенными интервалами. Это нормально. В размораживании нет необходимости, если количество наледи не слишком большое.
- Если холодильник не будет использоваться в течение длительного времени (например, во время летнего отпуска), отключите холодильник и выньте вилку из розетки. После размораживания произведите очистку холодильника и оставьте дверцу открытой, чтобы предотвратить появление влаги и запаха.
- Если после выполнения всех изложенных выше инструкций проблема сохраняется, проконсультируйтесь с ближайшей сервисной службой.
- Купленный вами холодильник предназначен только для бытового использования и может использоваться только внутри помещений по указанному назначению. Устройство не пригодно для использования в коммерческих и иных целях. Мы обращаем Ваше внимание, что если потребитель использует данное устройство не в соответствии с данными условиями, производитель и продавец не несут ответственности за ремонт и отказ во время гарантийного срока.
- Срок службы холодильника, заявленный Департаментом Промышленности, составляет 10 лет (период замены деталей, необходимых для его правильной работы).

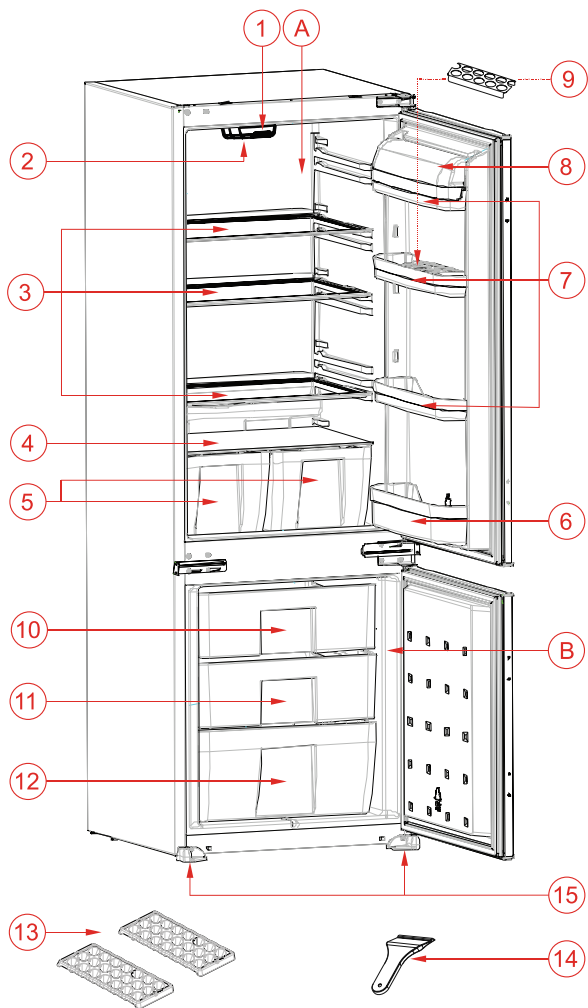
Информация о соответствии стандартам

- Это оборудование предназначено для эксплуатации при диапазоне внешних температур 16°C - 32°C.
- Прибор спроектирован со всеми действующими европейскими, российскими и др. стандартами.

Советы по энергосбережению

- 1– Установите прибор в прохладном, хорошо вентилируемом помещении, куда не попадают прямые солнечные лучи, вдали от источников тепла (батареи отопления, плиты и т.д.). В противном случае необходимо использовать изоляционную панель.
- 2– Охладите подогретые продукты и напитки перед размещением в холодильнике.
- 3– При размораживании замороженных продуктов, помещайте их в холодильную камеру. Низкая температура замороженных продуктов во время размораживания будет способствовать поддержанию низкой температуры внутри холодильной камеры. Таким образом, будет обеспечиваться оптимальное энергосбережение.
- 4– При размещении напитков и жидких продуктов они должны храниться в закрытом виде, иначе уровень влажности внутри холодильника повысится и время охлаждения будет увеличено. Также, хранение напитков и жидких продуктов в закрытом виде способствует сохранению их запаха и вкуса.
- 5– При размещении продуктов и напитков следует минимально открывать дверцу.
- 6– Следите за тем, чтобы отсеки холодильника с различной температурой (к примеру, отсек для фруктов и овощей) оставались закрытыми.
- 7– Дверное уплотнение должно быть чистым и гибким. В случае износа прокладок необходимо произвести их замену.

ЧАСТЬ 7. ДЕТАЛИ И УСТРОЙСТВО ПРИБОРА



Целью данного документа является исключительно предоставление информации о компонентах устройства. Компоненты зависят от модели устройства.

A) Холодильная камера
B) Морозильная камера

- 1) Ручка термостата
- 2) Лампа холодильника и плафон
- 3) Полочки холодильника
- 4) Крышка ящиков для фруктов и овощей
- 5) Ящики для фруктов и овощей
- 6) Полочка для бутылок
- 7) Дверные полки

- 8) Крышка верхней полки *
- 9) Держатель яиц
- 10) Крышка морозильного отделения
- 11) Выдвижной ящик морозильного отделения
- 12) Нижний выдвижной ящик морозильного отделения
- 13) Формы для льда
- 14) Пластмассовый скребок для льда
- 15) Петля ножки

* в некоторых моделях

Инструкции по установке

- ! Перед началом установки внимательно прочтите инструкцию.
- ! Устанавливайте холодильник/морозильную камеру только в устойчивых комплектах кухонной мебели.
- ! При необходимости перевесьте дверцу согласно инструкции.
- ! Проверьте размеры холодильника в соответствии с Рис. С. Положение петель на дверцах мебели должно быть выровнено относительно петель на дверцах холодильника.

1. На Рис. А представлены необходимые крепежные детали.
2. Вставьте декоративную крышку¹ в канавку и закрепите винтами. (Рис. D)
3. Пропустите шнур питания через вентиляционный ход и установите его таким образом, чтобы холодильник можно было легко подключить к розетке после его установки. (Рис. В-С).
4. Вытащите декоративную прокладку², находящуюся на боковой панели холодильника, и приклейте ее на заднюю сторону петель дверцы холодильника. (Рис. D - E)
5. Приподнимите холодильник и вдвиньте его внутрь кухонной мебели. Пододвиньте холодильник к обратной стороне дверных петель таким образом, чтобы прокладка² закрывала пространство между холодильником и кухонной мебелью.
6. Выровняйте передние опоры относительно передней поверхности кухонной мебели. (Рис. F)
7. Закрепите передние опоры винтами⁵. (Рис. F)
8. Прикрепите декоративную крышку¹ к кухонной мебели винтами⁵. (Рис. G)
9. Закрепите кронштейн¹¹ на кухонной мебели винтами⁵. Повторите данную операцию с противоположной стороны. (Рис. H)
10. Привинтите направляющие³ к дверцам холодильника винтами⁶. Придвиньте дверца холодильника к дверцам кухонного блока так, чтоб они открывались под правильным углом. Вдвиньте направляющие планки⁴ в рельсовые направляющие³. Прикрепите рейки⁴ к дверцам кухонного блока винтами⁵ (рис. J).
11. Установите зазор 1-2 мм со стороны ручки между мебелью и дверцами мебели путем регулировки направляющих. Это существенно важно для правильной работы холодильника. (Рис. J)

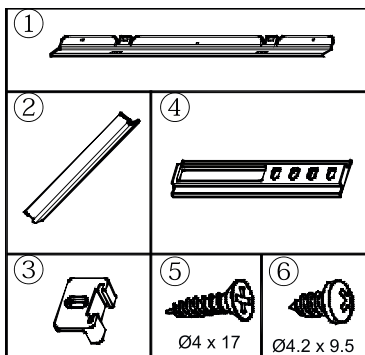


Рис. А

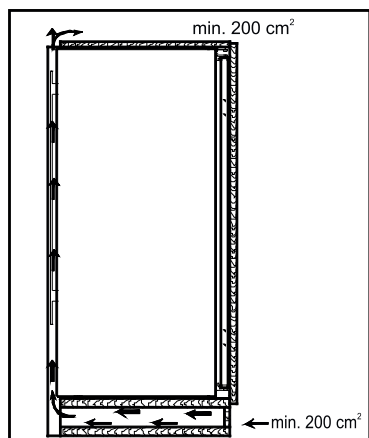


Рис. В

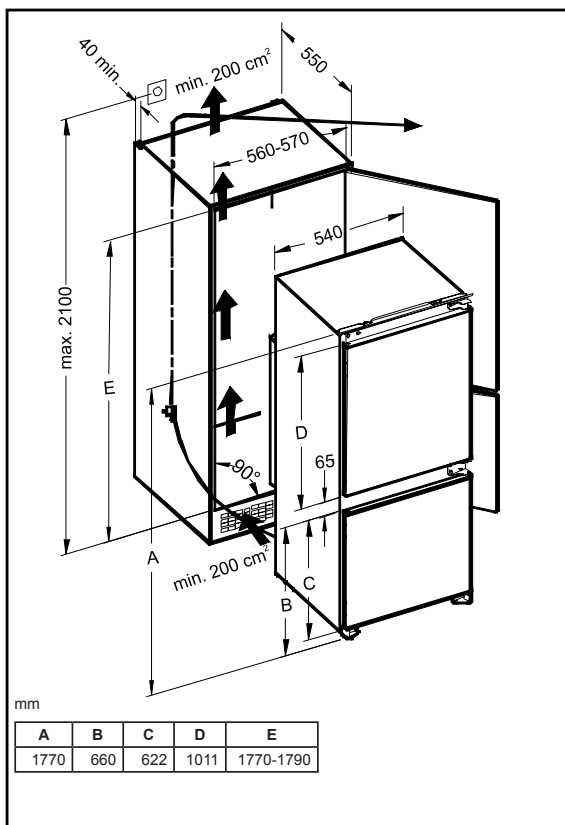


Рис. С

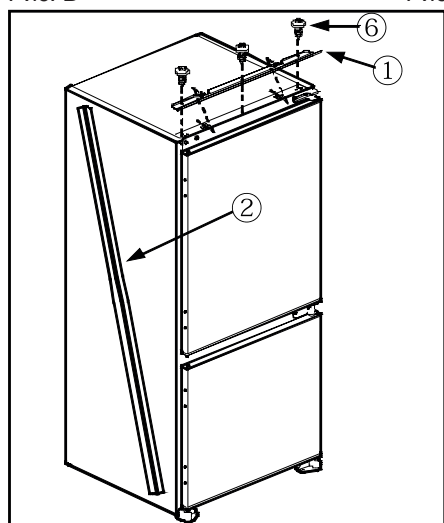


Рис. D

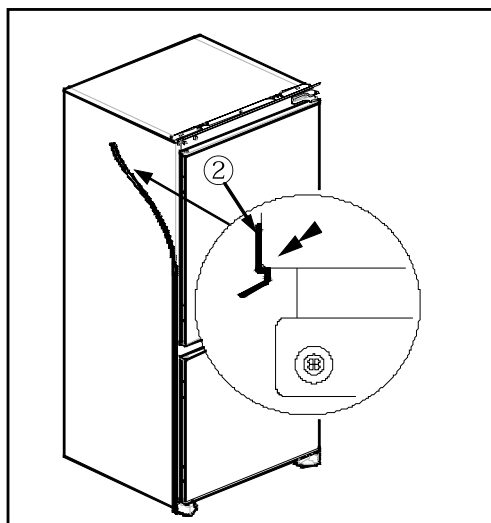


Рис. E

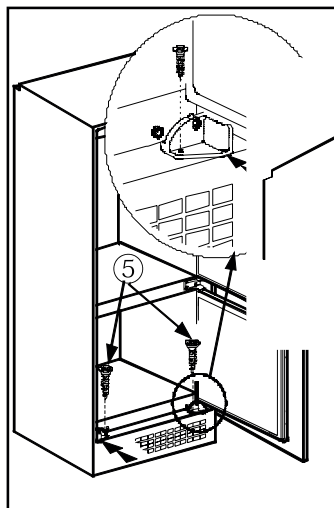


Рис. F

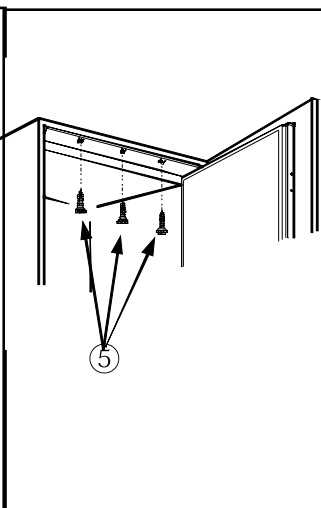


Рис. G

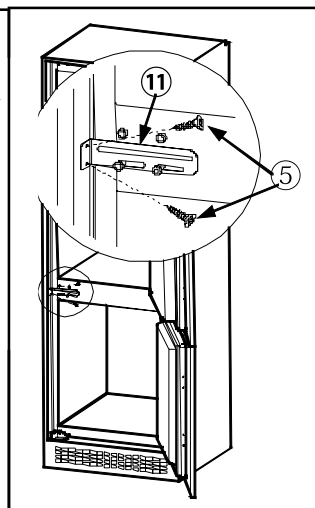


Рис. H

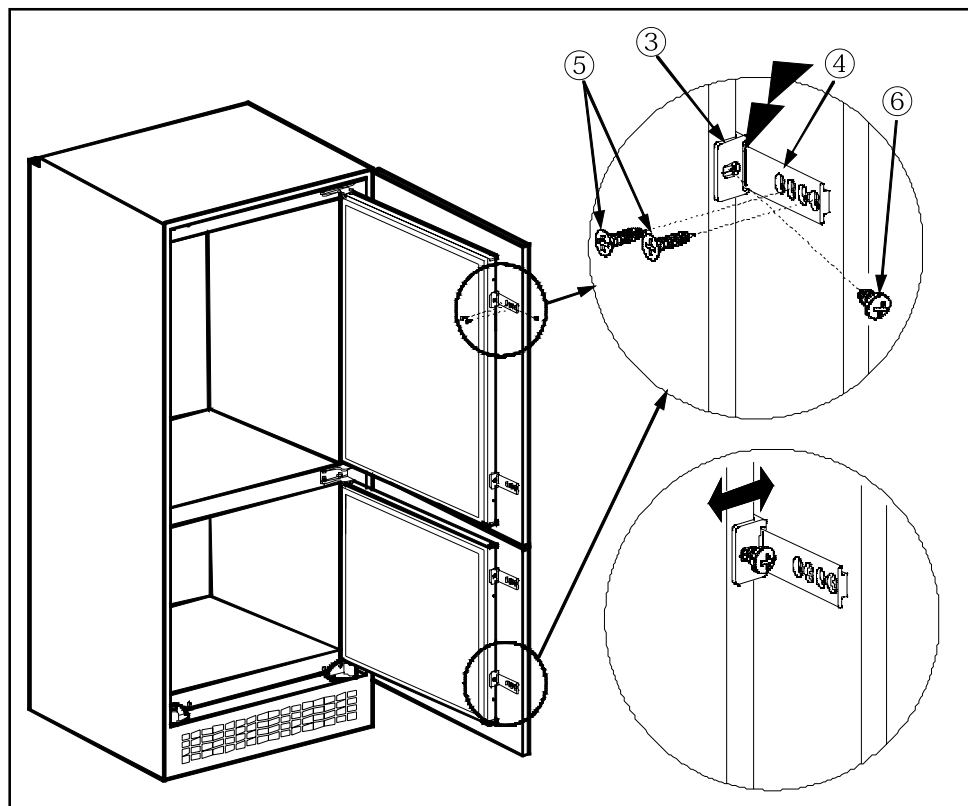


Рис. J

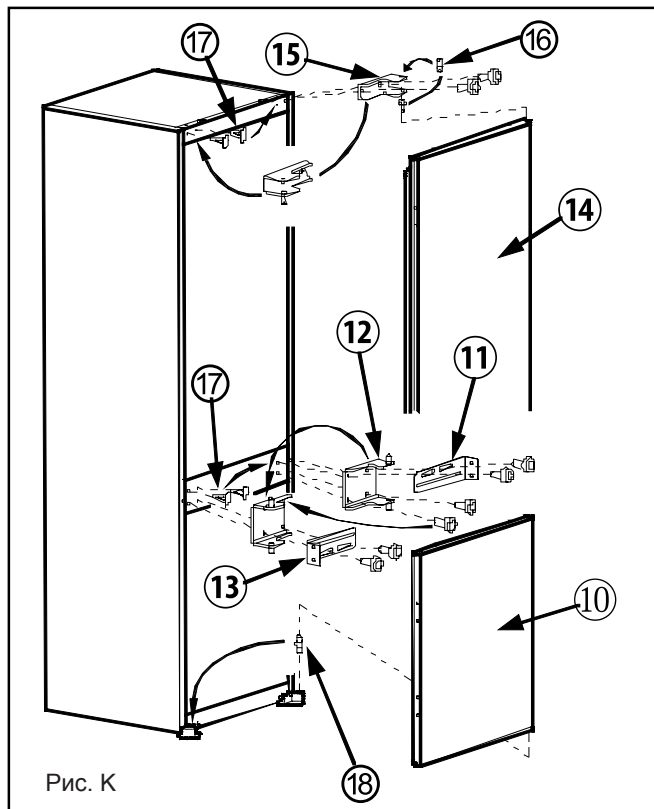


Рис. К



Перевешивание дверцы

1. Отвинтите верхнюю петлю дверцы¹⁵ и положите верхнюю дверцу¹⁴ в безопасное место.
2. Отвинтите стержень петли дверцы¹⁶ и крепко привинтите его с противоположной стороны.
3. Отвинтите среднюю петлю дверцы¹² и положите нижнюю дверцу¹⁰ в безопасное место. Привинтите задний крепежный кронштейн¹¹ в исходное положение без средней петли дверцы¹².
4. Переместите нижний штифт (шпильку) дверцы¹⁸ на противоположную сторону.
5. Установите заглушку¹¹ в пустые отверстия на противоположной стороне.
6. Установите нижнюю дверцу¹⁰ над нижним штифтом (шпилькой) дверцы¹⁸ и закройте дверцу.
7. Отвинтите крепежный кронштейн¹³. Установите средний штифт (шпильку) дверцы¹² на нижнюю дверцу¹⁰. Установите крепежный кронштейн¹¹ на среднюю дверную петлю¹² и прочно привинтите к мебели.
8. Установите верхнюю дверцу¹⁴ над средней дверной петлей¹², установите верхнюю дверную петлю¹⁵ над верхней дверцей¹⁴, затем надежно прикрепите верхнюю дверную петлю¹⁵ на противоположной стороне.

ЗМІСТ

ПЕРЕД ВСТАНОВЛЕННЯМ	43
Загальні попередження	43
Старі та несправні холодильники	45
Заходи безпеки.....	46
Встановлення та експлуатація холодильника	46
Перед використанням холодильника	48
ВИКОРИСТАННЯ ПРИСТРОЮ	48
Регулювання термостата.....	48
Супер-заморожування та перемикач режиму низької навколишньої температури.....	49
Попередження щодо регулювання температури.....	49
Допоміжне обладнання.....	50
Лоток для льоду	50
Тримач пляшок	50
РОЗТАШУВАННЯ ПРОДУКТІВ У ПРИСТРОЇ.....	51
Камера холодильника.....	51
Морозильна камера.....	51
ЧИЩЕННЯ ТА ОБСЛУГОВУВАННЯ	52
Видалення льоду з холодильної камери.....	52
Видалення льоду з морозильної камери	53
Заміна лампочки освітлення холодильника.....	53
ТРАНСПОРТУВАННЯ ТА ЗМІНА МІСЦЯ	54
РОЗТАШУВАННЯ	54
ПЕРЕД ЗВЕРНЕННЯМ ДО ЦЕНТРУ ПІСЛЯПРОДАЖНОГО ОБСЛУГОВУВАННЯ.....	54
Поради щодо економії енергії.....	55
ЧАСТИНИ ТА ВІДСІКИ ПРИСТРОЮ.....	56
Інструкції зі встановлення	57
Переставлення дверцят	60

Ці інструкції з експлуатації призначені для кількох моделей. Можливі певні відмінності.

Загальні попередження

ПОПЕРЕДЖЕННЯ: Слідкуйте за тим, щоб у вентиляційних отворах корпусу та каркасі не було сторонніх предметів.

ПОПЕРЕДЖЕННЯ: Не застосовуйте механічні пристрої та інші засоби для прискорення процесу розморожування окрім тих, які рекомендує виробник.

ПОПЕРЕДЖЕННЯ: Не використовуйте електричні прилади у відсіках для зберігання харчових продуктів, окрім рекомендованих виробником пристрою.

ПОПЕРЕДЖЕННЯ: Не допускайте пошкодження холодильного контуру.

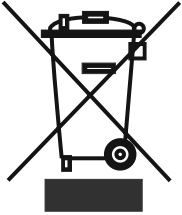
ПОПЕРЕДЖЕННЯ: Щоб уникнути небезпеки через нестійкість пристрою, він має бути встановлений у відповідності з інструкціями.

- Якщо у приладі використовується холодильний агент R600a (це можна дізнатися з інформації на етикетці на холодильнику), необхідно дотримуватися обережності під час транспортування та встановлення, щоб уникнути пошкодження деталей приладу, що містять холодильний агент. R600a – екологічно чистий і природний газ. Він є вибухонебезпечним у разі витікання через пошкодження деталей холодильного контуру – тому не допускайте використання холодильника поблизу відкритого полум'я або джерел тепла та провітруйте протягом кількох хвилин приміщення, в якому розташовано пристрій.
- Під час перенесення та розташування холодильника необхідно слідкувати за тим, щоб не пошкодити холодильний контур.
- Не зберігайте в цьому пристрої вибухові речовини, такі як аерозольні балони з горючим паливом.
- Цей прилад призначений для використання в домашніх або подібних умовах, як-от:
 - у кухонних куточках магазинів, офісів та інших робочих середовищ;

- домашніх господарствах та клієнтами в готелях, мотелях та інших житлових приміщеннях;
- у місцях ночівлі з сніданком;
- у місцях громадського харчування та аналогічних неторгівельних закладах.
- Якщо штепсель холодильника не підходить до розетки, його повинен замінити виробник, його агент з обслуговування або спеціаліст аналогічної кваліфікації, щоб уникнути небезпеки.
- Цей прилад не призначено для використання людьми (включаючи дітей) із обмеженими фізичними, сенсорними або розумовими здібностями, а також тими, які мають недостатній досвід та знання, окрім тих випадків, коли вони користуються приладом під наглядом або керівництвом особи, яка відповідає за їхню безпеку. Слідкуйте за тим, щоб діти не гралися з приладом.
- До шнура живлення цього холодильника був приєднаний спеціальний штепсель із заземленням. Цей штепсель можна вмикати лише у заземлену розетку, обладнану плавким запобіжником щонайменше на 16 ампер. Якщо у вашому будинку немає такої розетки, зверніться до уповноваженого електрика для встановлення такої.
- Цей прилад можуть використовувати діти старші 8 років та особи зі зниженими фізичними, сенсорними та ментальними можливостями або котрим бракує досвіду та знань, якщо їм забезпечено нагляд та інструкції щодо безпечного користування приладом і якщо вони розуміють можливу небезпеку. Діти не повинні бавитися з приладом. Чищення та обслуговування не повинні робити діти без нагляду.
- Якщо шнур живлення пошкоджений, то, щоб запобігти враженню електричним струмом, його повинен замінити виробник, його технічний представник або спеціаліст аналогічної кваліфікації.

Старі та несправні холодильники

- Якщо у старому холодильнику є замок для блокування дверей, слід зняти або вивести з ладу замок перед викиданням холодильника, щоб уникнути нещасного випадку, в разі якщо дитина потрапить у пастку, замкнувши себе всередині приладу.
- Старі холодильники містять ізоляційний матеріал та холодильний агент, до складу якого входить ХФВ. Тому, викидаючи старий холодильник, дбайте про те, щоб не зашкодити довкіллю.



- усіх питань стосовно утилізації відпрацьованого електричного та електронного устаткування (Директива WEEE) в частині, що стосується повторного використання, переробки та відновлення, звертайтеся до місцевих органів влади.

Примітки:

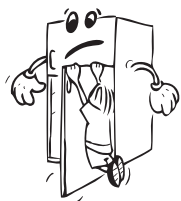
- Уважно прочитайте цей посібник перед встановленням та використанням приладу. Виробник не несе відповідальності за збитки, що сталися через неналежне використання приладу.
- Дотримуйтеся всіх інструкцій, наведених на приладі та в посібнику, та зберігайте цей посібник в надійному місці, щоб мати змогу звернутися до нього в майбутньому для вирішення можливих проблем.
- Цей прилад призначений для побутового використання. Він може використовуватися лише в домашньому господарстві та за своїм призначенням. Він не призначений для комерційного чи загального користування. Таке використання призведе до скасування гарантії на прилад, і компанія-виробник не нестиме відповідальності за можливі збитки.
- Цей прилад призначений для побутового використання і придатний лише для охолодження та зберігання продуктів харчування. Він не призначений для комерційного чи загального користування та/або зберігання речовин, відмінних від продуктів харчування. Компанія-виробник не несе відповідальності за збитки, що можуть статися через неналежне використання.

Заходи безпеки

- Для живлення приладу не використовуйте спарені розетки чи подовжувальний шнур.
- Не використовуйте шнур живлення, якщо він пошкоджений або зношений.
- Не тягніть, не згинайте та не пошкоджуйте шнур живлення.
- Не згинайте та не скручуйте шнур живлення, тримайте його подалі від гарячих поверхонь.



- Після установки переконайтеся, що кабель живлення не затиснений під приладом.
- Цей прилад призначений для використання дорослими, не дозволяйте дітям гратися з приладом чи кататися, висячи на його дверях.
- Не вставляйте вилку в розетку та не виймайте її вологими руками — це може призвести до ураження електричним струмом!
- Не кладіть скляні пляшки або банки з напоями у морозильну камеру. Пляшки або банки можуть луснути.
- З метою безпеки не зберігайте у холодильнику вибухонебезпечні або легкозаймисті речовини. Пляшки з високим вмістом алкоголю необхідно щільно закрити й розташувати в холодильній камері вертикально.
- Коли дістаєте лід з морозильної камери, не торкайтеся до нього — лід може спричинити обмороження та/або порізи шкіри.
- Не торкайтеся заморожених продуктів вологими руками! Не вживайте в їжу морозиво та кубики льоду, щойно вийняті з морозильної камери!
- Розморожені продукти харчування не можна повторно заморозувати. Це може заподіяти шкоду здоров'ю, наприклад, спричинити харчове отруєння.
- Не накривайте корпус та верхню частину холодильника тканиною. Це впливає на ефективність роботи холодильника.
- Не вмикайте всередині холодильника та морозильника ніякі електричні прилади.
- Під час транспортування зафіксуйте приладдя у холодильнику, щоб уникнути його пошкодження.

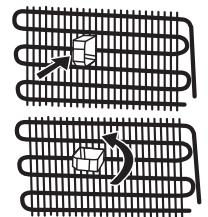


Встановлення та експлуатація холодильника

Перед використанням холодильника слід звернути увагу на викладену нижче інформацію.

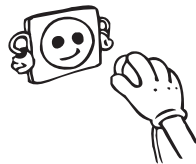
- Робоча напруга холодильника становить 220–240 В за частоти 50 Гц.
- Після встановлення до вилки має залишитися вільний доступ.

- При першому вмиканні пристрою може з'явитися запах. Він зникне, щойно холодильник почне охолоджуватися.
- Перед під'єднанням пристрою до мережі живлення впевніться, що вказана на паспортній табличці напруга відповідає параметрам мережі живлення.
- Перед тим, як вставити вилку в розетку, впевніться, що розетка має надійне заземлення. Якщо розетка не має контакту заземлення або вилка не відповідає розетці, ми рекомендуємо звернутися за допомогою до кваліфікованого електрика.
- Прилад повинен під'єднуватися до правильно встановленої розетки із запобіжником. Джерело живлення (змінний струм) і напруга у точці під'єднання повинні збігатися із даними на табличці на пристрої (табличка знаходиться на лівій внутрішній стороні приладу).
- Виробник не несе відповідальності за пошкодження, що сталися внаслідок використання приладу без належного заземлення.
- Холодильник слід ставити в місці, де на нього не потраплятимуть прямі сонячні промені.
- Прилад не можна використовувати поза приміщенням та залишати під дощем.
- Прилад має бути розташований на відстані щонайменше 50 см від кухонних плит, газових печей та радіаторів опалення та щонайменше 5 см від електричних плит.
- Якщо холодильник розташовано поряд з морозильним апаратом глибокого заморозування, між ними має бути відстань не менше 2 см, щоб запобігти конденсації на зовнішній поверхні.
- Не кладіть на цей пристрій важкі речі.
- Перед використанням ретельно вимийте пристрій, особливо всередині (див. розділ «Чищення та обслуговування»).
- Процедура встановлення на кухні викладена у Посібнику зі встановлення. Цей виріб призначений лише для використання у стандартних кухонних меблях.
- Слід відрегулювати висоту передніх ніжок, щоб забезпечити стійку і надійну роботу морозильної камери. Для регулювання ніжок їх можна прокручувати за годинникової стрілки (або у протилежному напрямку). Це слід зробити до того, як покладете в морозильну камеру продукти харчування.
- Перед використанням холодильника вимийте всі деталі теплою водою з додаванням чайної ложки харчової соди, а потім промийте чистою водою і висушіть. Після чищення встановіть усі деталі на місце.
- Щоб конденсатор (частина з білими ребрами на задній панелі) не торкався стіни, встановіть пластмасовий упор, повернувши його на 90°, як показано на рисунку.
- Холодильник повинен бути розташований на відстані від стіни не більше 75 мм.



Перед використанням холодильника

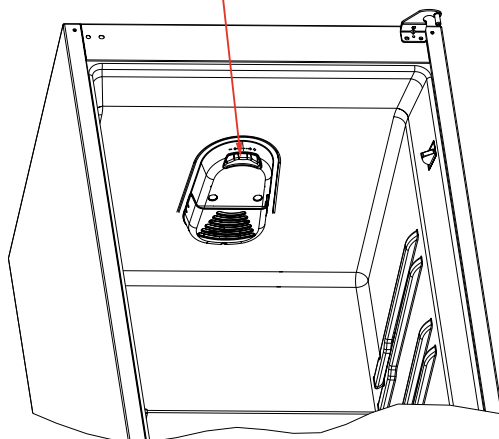
- Перед першим вмиканням холодильника або після транспортування для забезпечення ефективної роботи лишіть холодильник у вертикальному положенні протягом 3 годин. Після цього його можна вмикати в розетку. Недотримання цієї вимоги може призвести до пошкодження компресора.
- При першому увімкненні холодильника може з'явитися сторонній запах. Запах зникне, коли розпочнеться охолодження.



ЧАСТИНА - 2. ВИКОРИСТАННЯ ПРИСТРОЮ

Регулювання термостата

Ручка термостата



Термостат морозильної камери автоматично регулює температуру всередині камери. Поворот ручки від "1" до "5" дозволяє зменшити температуру.

Важлива примітка: Не повертайте ручку за положення "1" – це призведе до вимкнення пристрою.

Установка термостата в морозильній камері та холодильнику:

1-2: Для короткострокового зберігання продуктів в морозильній камері встановіть ручку між мінімальною та середньою позиціями.

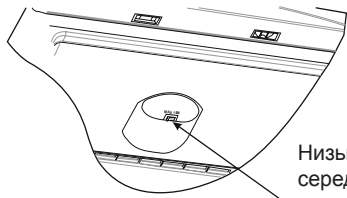
3-4: Для довгострокового зберігання продуктів в морозильній камері встановіть ручку у середню позицію.

5: Для заморожування свіжих продуктів. Пристрій створюватиме нижчу температуру.

Для моделей A+

Морозильна камера, що позначена символом **❄️*****, використовується для зберігання заморожених продуктів та заморожування свіжої або приготованої їжі. Вона також може виготовляти кубики льоду. Верхня полиця морозильної камери, що позначена символом **❄️*****, спеціально призначена для зберігання морозива або заморожених продуктів з коротким терміном зберігання.

Супер-заморожування та перемикач режиму (для деяких моделей) низької навколишньої температури



Низька температура навколишнього середовища регулятор температури

0 : Вимкнено.

I : Увімкнено.

- а) Супер-заморожування:** Якщо температура навколишнього середовища вища 18 °С, цей перемикач можна використовувати як вимикач супер-заморожування. Прилад буде довше заморожувати свіжі продукти, якщо кнопка супер-заморожування ввімкнена. Таким чином, після отримання необхідного режиму охолодження (мінімум через 24 години) кнопку супер-заморожування слід вимкнути з міркувань збереження енергії.
- б) Низька температура навколишнього середовища:** Якщо температура навколишнього середовища нижча 18 °С, цей перемикач можна використовувати для збільшення ефективності. Якщо температура навколишнього середовища більше 18 °С, цю кнопку слід вимкнути з метою збереження енергії (за винятком режиму заморожування свіжих продуктів)

Зверніть увагу:

заради економії енергії не вмикайте положення "I", якщо для цього немає потреби.

Попередження щодо регулювання температури

- Не рекомендовано використовувати холодильник за температури навколишнього середовища нижче 10 °С із точки зору його ефективності.
- Регулювання температури слід робити з урахуванням частоти відкривання дверей та кількості продуктів у холодильнику.
- Для досягнення повного охолодження холодильник після вмикання має безперервно працювати до 24 годин за температури навколишнього середовища. У цей період не слід часто відкривати двері холодильника та класти в нього забагато продуктів.
- Щоб запобігти пошкодженню компресора, у холодильнику передбачено функцію 5-хвилинної затримки, коли його вимикають з розетки і знову вмикають, або у разі збою електроживлення. Нормальна робота холодильника розпочнеться за 5 хвилин.

- Холодильник призначений для роботи при вказаних у стандартах температурах навколишнього середовища відповідно до кліматичного класу, зазначеного на інформаційній етикетці. Не рекомендується використовувати холодильник при температурах, які виходять за межі вказаних діапазонів, оскільки це впливає на ефективність охолодження.

Кліматичний клас	Температура навколишнього середовища (°C)
T	Від 16 до 43 °C
ST	Від 16 до 38 °C
N	Від 16 до 32 °C
SN	Від 10 до 32 °C

Допоміжне обладнання

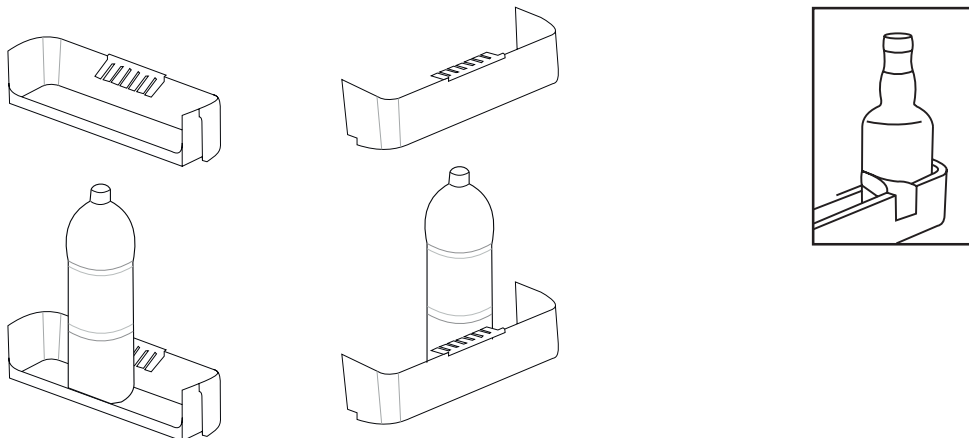
Лоток для льоду

- Форму для льоду наповніть водою та помістіть в морозильне відділення.
- Після повного перетворення води в лід ви можете зігнути форму, як показано нижче, щоб



Тримач пляшок

Щоб пляшки не зісковзували та не падали, використовується тримач для пляшок. Він також прибирає шум від пляшок при відкриванні та закриванні дверей.



ЧАСТИНА - 3. РОЗТАШУВАННЯ ПРОДУКТІВ У ПРИСТРОЇ

Камера холодильника

Холодильна камера використовується для зберігання свіжих продуктів протягом кількох днів.

- Не допускайте безпосереднього контакту продуктів із задньою стінкою холодильної камери. Залишайте трохи місця навколо продуктів для циркуляції повітря.
- Не ставте в холодильник гарячу їжу та рідини, що випаровуються.
- Завжди зберігайте продукти у закритих контейнерах або загорнутими.
- Для зменшення вологості та запобігання утворення льоду в холодильнику не слід класти в нього рідину в негерметичних контейнерах.
- М'ясо усіх видів рекомендується класти загорнутим у пакети на скляну полицю над відсіком для овочів, де повітря холодніше.
- Овочі та фрукти можна складати не упакованими в контейнер, спеціально призначений для їхнього зберігання.
- Щоб уникнути втрат холодного повітря, намагайтеся не відкривати двері занадто часто, і не залишити двері відкритими протягом тривалого часу.

Морозильна камера

Морозильна камера використовується для заморожування свіжих продуктів та зберігання заморожених продуктів протягом часу, що вказаний на упаковці, а також для виготовлення кубиків льоду.

- **Для заморожування продуктів:** загорніть та добре герметизуйте продукти – упаковка не повинна пропускати повітря та воду. Найкраще підходять спеціальні пакети для заморожування, алюмінієва фольга (товста, у разі сумнівів складіть у два шари), поліетиленові пакети та пластикові контейнери.
- Не допускайте контакту свіжих продуктів, що мають бути заморожені, з раніше замороженими продуктами.
- Завжди позначайте дату та склад на упаковці та не перевищуйте рекомендований термін зберігання.
- У разі збою живлення або поломки морозильна камера буде підтримувати достатньо низьку для зберігання продуктів температуру. Тим не менш, не відкривайте дверцята морозильної камери, щоб уповільнити зростання температури в ній.
- Максимальна кількість свіжих продуктів, яку можна заморозити протягом 24 годин, вказана на етикетці пристрою (див. Потужність заморожування).
- Ніколи не кладіть до морозильної камери теплі продукти.
- **При купівлі та зберігання заморожених харчових продуктів;** переконайтеся, що упаковка не пошкоджена.
- Термін зберігання та рекомендована температура для зберігання заморожених продуктів вказані на упаковці. Дотримуйтеся інструкцій виробника щодо зберігання та вживання продуктів. За відсутності такої інформації продукти слід зберігати не більше 3 місяців.
- Кладіть заморожені продукти у морозильну камеру якомога швидше після покупки.
- Якщо продукти розморозилися, їх не можна повторно заморожувати – їх слід приготувати якомога швидше, після чого спожити або знову заморозити.

- **Зберігання:** Щоб використати максимальний чистий об'єм, можна витягнути ящики і покласти продукти прямо на охолоджувальні трубки. Це дозволить використати весь об'єм камери.

ЧАСТИНА - 4. ЧИЩЕННЯ ТА ОБСЛУГОВУВАННЯ

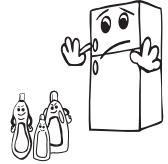
- Перед чищенням від'єднайте пристрій від джерела живлення.



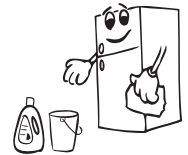
- На пристрій не можна лити воду.



- Холодильне відділення слід періодично очищувати розчином бікарбонату соди та теплою водою.



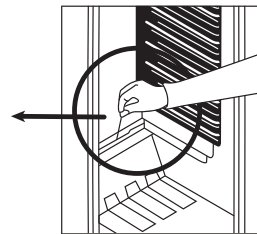
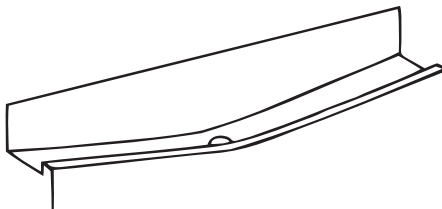
- Допоміжне обладнання слід чистити окремо з милом та водою. Не мийте його у посудомийній машині.



- Не застосовуйте абразивні матеріали, мийні засоби та мило. Після миття слід прополоскати аксесуари чистою водою та ретельно висушити. Після очищення під'єднайте холодильник до мережі сухими руками.



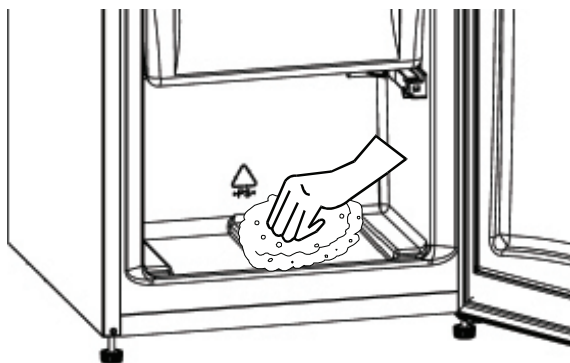
Видалення льоду з холодильної камери



- Видалення льоду з камери холодильника відбувається автоматично в процесі роботи; вода від розморожування збирається в лотку для випарювання та автоматично випарюється.
- Лоток для випарювання та отвір для зливання талої води необхідно періодично чистити, щоб запобігти збиранню води в нижній частині холодильника.
- Щоб прочистити отвір, можна також залити $\frac{1}{2}$ склянки води зсередини.

Видалення льоду з морозильної камери

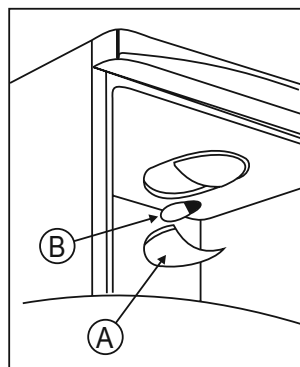
- Льод, що намерзає на полицях морозильної камери, слід періодично прибирати.
- Не використовуйте для цього гострі металеві предмети. Вони можуть проколоти охолоджувальний контур і привести до невіправного пошкодження пристрою. Використовуйте прикладений пластиковий шкребок.
- Коли на полицях намерзає більше 5 мм льоду, слід провести процедуру розморожування.
- Перед процедурою розморожування обгорніть заморожені продукти газетними аркушами та покладіть у прохолодне місце, щоб утримувати їх у стійкій температурі протягом тривалого часу.
- Для прискорення процесу розморожування поставте в морозильну камеру одну або декілька мисок з теплою водою.



- Висушіть камеру всередині губкою або чистою тканиною.
- Якщо продукти розтанули, покладіть їх в холодильник та пам'ятайте, що їх необхідно спожити протягом короткого часу.

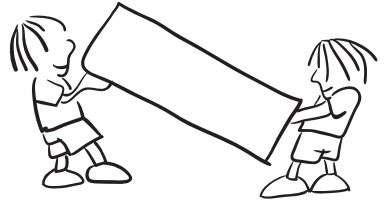
Заміна лампочки освітлення холодильника

1. Від'єднайте холодильник від мережі живлення,
2. Зніміть кришку лампи холодильника (А), для цього натисніть на засувки, що розташовані по боках кришки.
3. Замініть стару лампочку (В) новою, потужність якої не перевищує 15 Вт.
4. Встановіть кришку на місце та під'єднайте пристрій до мережі.



ЧАСТИНА - 5. ТРАНСПОРТУВАННЯ ТА ЗМІНА МІСЦЯ РОЗТАШУВАННЯ

- За можливості не викидайте оригінальну упаковку і пінопласт — вони можуть знадобитися для перевезення у майбутньому.
- При повторному транспортуванні слід закріпити холодильник за допомогою товстих прокладок, стрічок або міцних мотузок. Дотримуйтеся інструкцій щодо транспортування, наведених на упаковці.
- Вийміть знімні частини (полиці, додаткове приладдя, контейнери для овочів тощо) або закріпіть їх у холодильнику стрічкою, щоб уникнути ударів під час транспортування та зміни місця розташування.
- Транспортуйте холодильник у вертикальному положенні.



ЧАСТИНА - 6. ПЕРЕД ЗВЕРНЕННЯМ ДО ЦЕНТРУ ПІСЛЯПРОДАЖНОГО ОБСЛУГОВУВАННЯ

Якщо холодильна камера працює неналежним чином, причиною цього може бути незначна несправність, тому спочатку перевірте викладене нижче.

Пристрій не працює:

Перевірте:

- наявність живлення;
- мережева вилка вставлена в розетку та щільно в ній тримається;
- Ручка термостата не знаходиться в положенні “•”;
- розетка працює. Для перевірки увімкніть в цю розетку інший прилад, у належній роботі якого ви впевнені.

Прилад працює погано:

Перевірте:

- пристрій не перевантажений;
- дверцята закриті щільно;
- У кухонному блоку не достатньо вентиляційних каналів, як зазначено у Посібнику зі встановлення.

У разі шуму:

Циркуляція охолоджувального газу в холодильному контурі пристрою може створювати незначний шум (булькання) навіть тоді, коли компресор не працює. Це нормальне явище, яке не є приводом для занепокоєння. Якщо звуки інші, перевірте:

- пристрій встановлено надійно, як описано у Посібнику зі встановлення;
- речі на холодильнику вібрують.

Якщо в нижній частині холодильника збирається вода:

Перевірте:

Зливний отвір для талої води не забитий брудом (скористайтеся пробкою зливного отвору, щоб його очистити)

ВАЖЛИВІ ЗАУВАЖЕННЯ

- У разі раптового відключення живлення або від'єднання і під'єднання вилки до розетки, спрацює захисний тепловий елемент компресора, тому що тиск газу в системі охолодження холодильника не збалансований. Це нормально – через 4-5 хвилин холодильник почне працювати.
- Якщо ви не будете користуватися холодильником протягом тривалого часу (наприклад, під час літньої відпустки), від'єднайте вилку від розетки. Вимийте холодильник згідно інструкцій з розділу 4 та залиште дверцята відчиненими для уникнення накопичення вологи та утворення запахів.
- Якщо проблеми з холодильником залишаються навіть при дотриманні інструкцій з цього посібника, зверніться до найближчого авторизованого сервісного центру.
- Термін служби цього виробу, згідно визначеного та оголошеного Міністерством промисловості (термін забезпечення виробу запасними частинами, щоб він міг виконувати свої функції) складає 10 років.

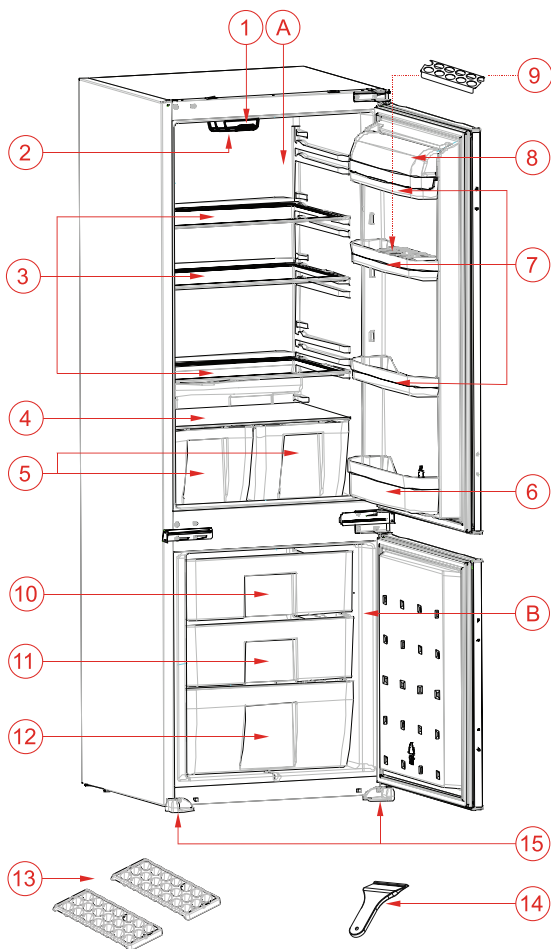
Інформація про відповідність вимогам

- Це обладнання призначене для використання при температурі навколишнього середовища у межах 16 - 32°C.
- Цей пристрій розроблено у відповідності до стандартів IEC60335-1 / IEC60335-2-24, 2004/108/EC.

Поради щодо економії енергії

1. Встановлюйте прилад в прохолодному, добре провітрюваному приміщенні, не під прямим сонцем і не поруч з джерелами тепла (радіатори, плити і т. п.).
2. Залишайте гарячі страви та напої охолонути до кімнатної температури.
3. Перед розморожуванням покладіть заморожені продукти в холодильну камеру. Низька температура заморожених продуктів буде сприяти охолодженню холодильної камери, поки вони будуть розморожуватися. Це сприяє збереженню електроенергії. Якщо заморожені продукти просто витягнути з морозильної камери, це призведе до втрати енергії.
4. Напої та їжа повинні бути закриті.
5. При розміщенні продуктів та напоїв залишайте дверцята відкритими якомога коротший час.
6. Тримайте кришки відсіків закритими, щоб уникнути змін температури у секціях. (для м'яса, для овочів тощо).
7. Ущільнення на дверцятах має бути чистим та еластичним. Замініть ущільнювач, якщо він зносився.

ЧАСТИНА - 7. ЧАСТИНИ ТА ВІДСІКИ ПРИСТРОЮ



В цій презентації представлена інформація лише про компоненти пристрою.
Компоненти можуть відрізнятися залежно від моделі.

A) Холодильна камера

B) Морозильна камера

1) Ручка термостата

2) Лампа та кришка лампи в холодильнику

3) Полиці холодильника

4) Кришка контейнерів для фруктів та овочів

5) Контейнери для фруктів та овочів

6) Полиця для пляшок

7) Полиці на дверях

8) Кришка верхньої полиці *

9) Лоток для яєць

10) Кришка відсіку для заморожування

11) Шухляда морозильної камери

12) Нижня шухляда морозильної камери

13) Лотки для льоду

14) Пластиковий ніж для льоду

15) Петля ніжки

(* для деяких моделей)

Інструкції зі встановлення

- ! Перед встановленням уважно прочитайте інструкцію.
 - ! Встановлюйте холодильник / морозильник лише у стійкий кухонний модуль.
 - ! При необхідності переставте дверцята на іншу сторону згідно з інструкціями.
 - ! Перевірте розміри для встановлення відповідно до рис. С. Петлі дверцят кухонного модулю повинні бути на одному рівні із петлями дверцят пристрою.
1. Див. рис. А щодо необхідних компонентів кріплення.
 2. Вставте **декоративну кришку**¹ в слот і загвинтіть **гвинтами**⁶. (рис. D)
 3. Протягніть шнур живлення через вентиляційний прохід та прокладіть його так, щоб пристрій можна було легко під'єднати до мережі живлення, коли він буде встановлений. (рис. В - рис. С)
 4. Витягніть **декоративну прокладку**², що розташована на бічній панелі пристрою та приклейте її на зворотному боці петель дверцят пристрою. (рис. D - рис. E)
 5. Підніміть пристрій та вставте його в кухонний модуль. Посуньте пристрій із задньої сторони петель дверцят, щоб **прокладка**² заповнила простір між приладом і кухонним блоком.
 6. Зведіть передні ніжки із передньою панеллю кухонного модуля. (рис. F)
 7. Загвинтіть передні ніжки **гвинтами**⁵. (рис. F)
 8. Прикріпіть **декоративну кришку**¹ до кухонного модуля **гвинтами**⁵. (рис. G)
 9. Закріпіть **кронштейн**¹¹ **гвинтами**⁵, щоб він спирався на кухонний модуль. Повторіть цю процедуру для протилежної сторони. (рис. H)
 10. Прикріпіть **напрявні**³ до дверцят пристрою **гвинтами**⁶. Притуліть дверцята пристрою до дверцят кухонного блоку, щоб вони відкривалися під правильним кутом. Вставте **рейки**⁴ в паз **напрявних**³. Прикріпіть **рейки**⁴ до дверей кухонного блоку **гвинтами**⁵. (рис. J)
 11. Відрегулюйте **напрявними**³ зазор 1-2 мм між кухонним блоком та його дверцята з боку ручки. **Це дуже важливо для роботи пристрою. (рис. J)**

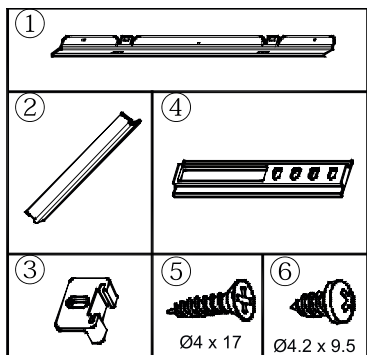


рис. А

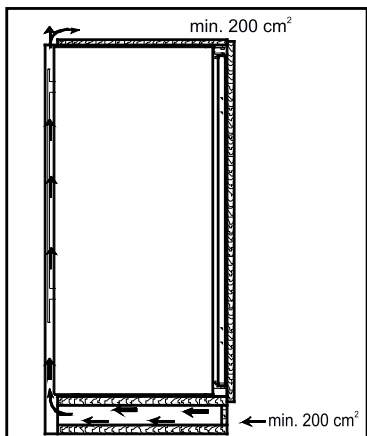
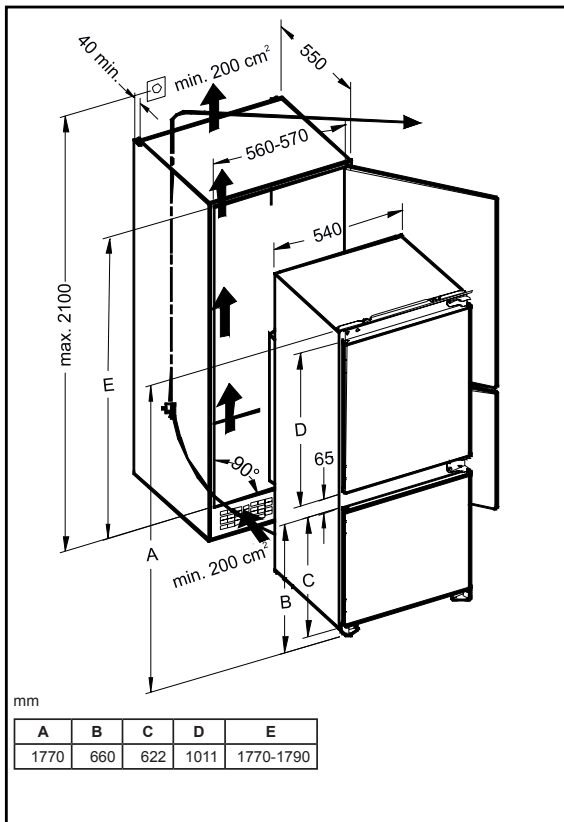


рис. В



mm

A	B	C	D	E
1770	660	622	1011	1770-1790

рис. С

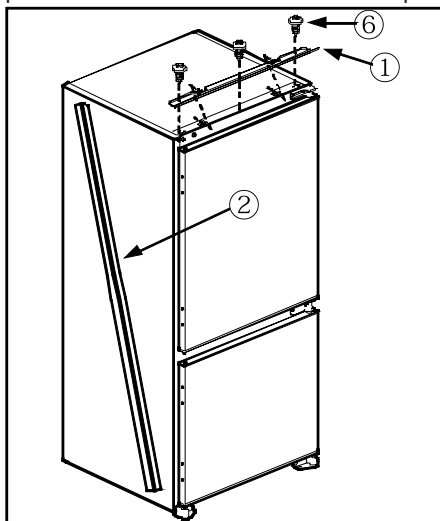


рис. D

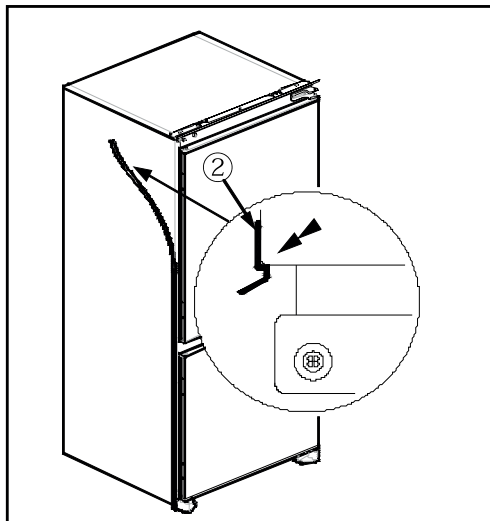


рис. E

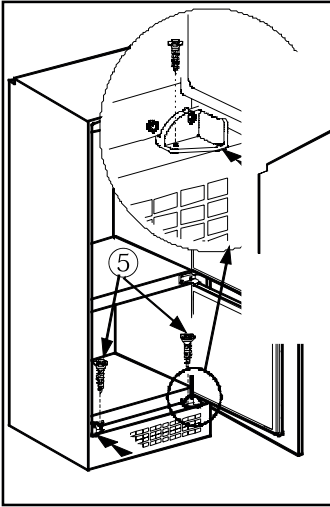


рис. F

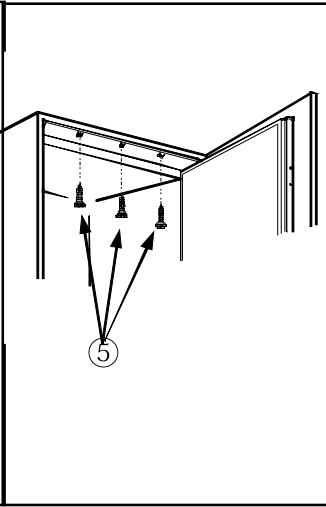


рис. G

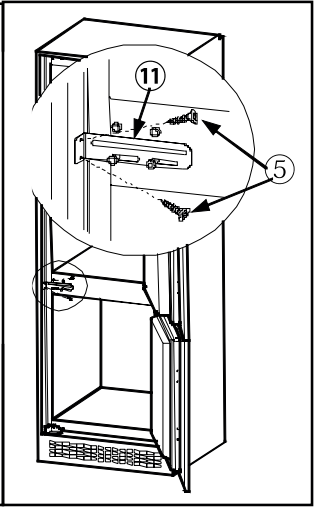


рис. H

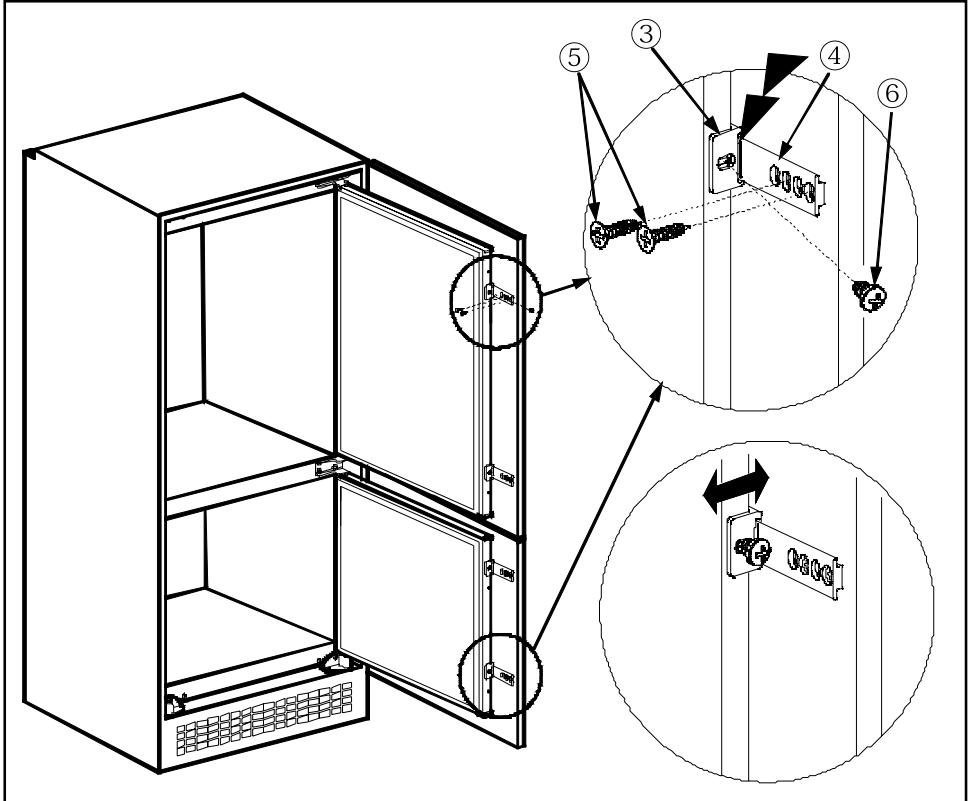


рис. J

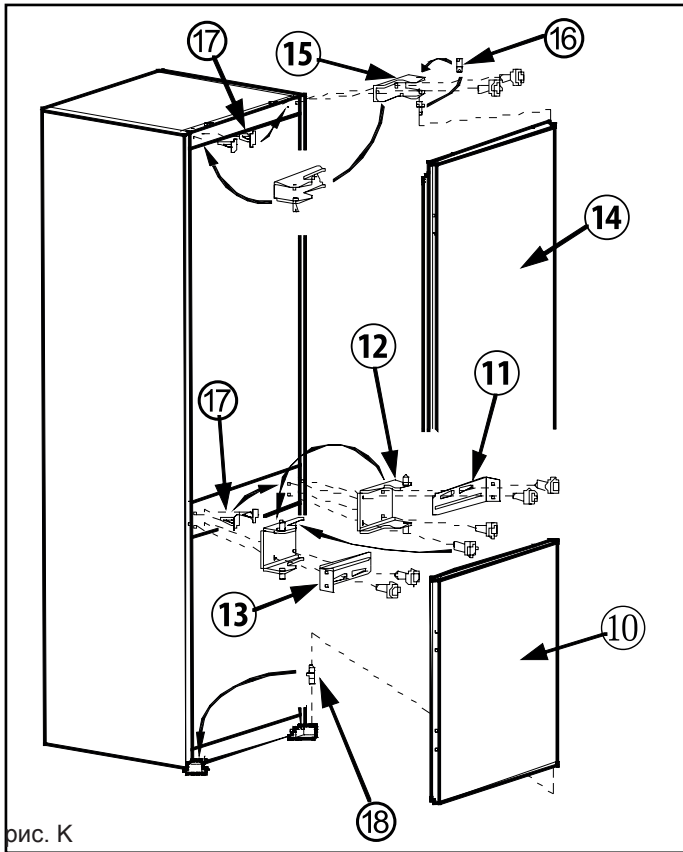


рис. К

Переставлення дверцял

1. Відгвинтіть верхню петлю **дверцял**¹⁵ та поставте верхні **дверцята**¹⁴ у безпечне місце.
2. Відгвинтіть штир петлі **дверцял**¹⁶ та міцно закріпіть його на протилежному боці.
3. Відгвинтіть **середню петлю дверцял**¹² та поставте нижні **дверцята**¹⁰ у безпечне місце. Закріпіть **кронштейн**¹¹ у початковому положенні без середньої петлі **дверцял**¹².
4. Переставте штир нижніх **дверцял**¹⁸ на протилежну сторону.
5. Витягніть **заглушки**¹⁷ з отворів на протилежній стороні.
6. Вдягніть **нижні дверцята**¹⁰ за **штифт нижніх дверцял**¹⁸ та закрийте відсік.
7. Відгвинтіть **кронштейн**¹³. Прикріпіть **середню петлю дверцял**¹² на нижні **дверцята**¹⁰. Вставте **кронштейн**¹¹ на петлю **середніх дверцял**¹² і та міцно зафіксуйте на корпусі.
8. Помістіть верхні **дверцята**¹⁴ на **петлю середніх дверцял**¹², потім встановіть петлю верхніх **дверцял**¹⁵ на **верхні дверцята**¹⁴, а потім міцно закріпіть **верхню петлю дверцял**¹⁵ на протилежній стороні.

CE

52141381

McGrp.Ru



Сайт техники и электроники

Наш сайт McGrp.Ru при этом не является просто хранилищем [инструкций по эксплуатации](#), это живое сообщество людей. Они общаются на форуме, задают вопросы о способах и особенностях использования техники. На все вопросы очень быстро находят ответы от таких же посетителей сайта, экспертов или администраторов. Вопрос можно задать как на форуме, так и в специальной форме на странице, где описывается интересующая вас техника.