

GB

BUILT-IN OVEN USER MANUAL

Dear User,

We aim to provide you with a high quality product manufactured in our modern factory with great care and in compliance with total quality control principles.

Therefore, we suggest you to read the user manual carefully before using the product and, keep it safe for future reference.

Note:

This user manual covers more than one model. Some of the features specified in the Manual may not be available in your appliance.

Pieces of packaging (plastic bags, polystyrene etc.) must not be left within reach of children, as they are potentially dangerous. Please dispose of packaging thoughtfully by the appropriate means.

Warning : All our appliances are only for domestic use, not for commercial use.

“THIS APPLIANCE SHALL BE INSTALLED IN ACCORDANCE WITH THE REGULATIONS IN FORCE AND ONLY USED IN A WELL VENTILATED SPACE. READ THE INSTRUCTIONS BEFORE INSTALLING OR USING THIS APPLIANCE”

CONTENTS

Installation of your oven
Technical features of your oven
Important warnings
If your oven does not operate
Description of oven & control panel
Using oven section
Using heat shield
Maintenance and cleaning
General overview of digital timer

INSTALLATION OF YOUR OVEN

Electrical Connection and Security

1. THIS APPLIANCE MUST BE EARTHED
2. Your oven is adjusted in compliance with 230 V AC, 50 Hz (for SA will be 220-240V, 50-60 Hz), electrical supply, and requires a 16 Amp (for England 13 Amp) fuse. If the mains are different from this specified value, contact an electrician or your authorized service.
3. Isolation switches for the oven must be accessible to the end user with the oven in place.
4. Should you need to replace the 16 Amp plug top (for England 13 Amp), please ensure you rewire the plug as follows;
 - Brown wire to the Live terminal
 - Blue wire to the Neutral terminal
 - Yellow & Green wire to Earth
5. Electrical connection of the oven should only be made by using sockets with Earth system installed (for England B.S. Approved sockets with Earth system), and in compliance with Regulations. If there is no proper socket with Earth in place, immediately contact a qualified electrician. The Manufacturer will not be responsible for damage or injuries that can arise because of inappropriate supply outlets with no earth system.
6. If your electric supply cable becomes damaged, it should be replaced by an authorized service engineer or qualified electrician.
7. The electrical supply cable should not touch the hot parts of the appliance.
8. The oven should be installed into an oven housing that provides good higher ventilation.
9. This oven must be correctly installed and secured in place, in accordance with manufacturer's instructions and by a qualified person.
10. Never work on the oven while it is switched on. Maintenance and service must be carried out after the power supply has been disconnected.

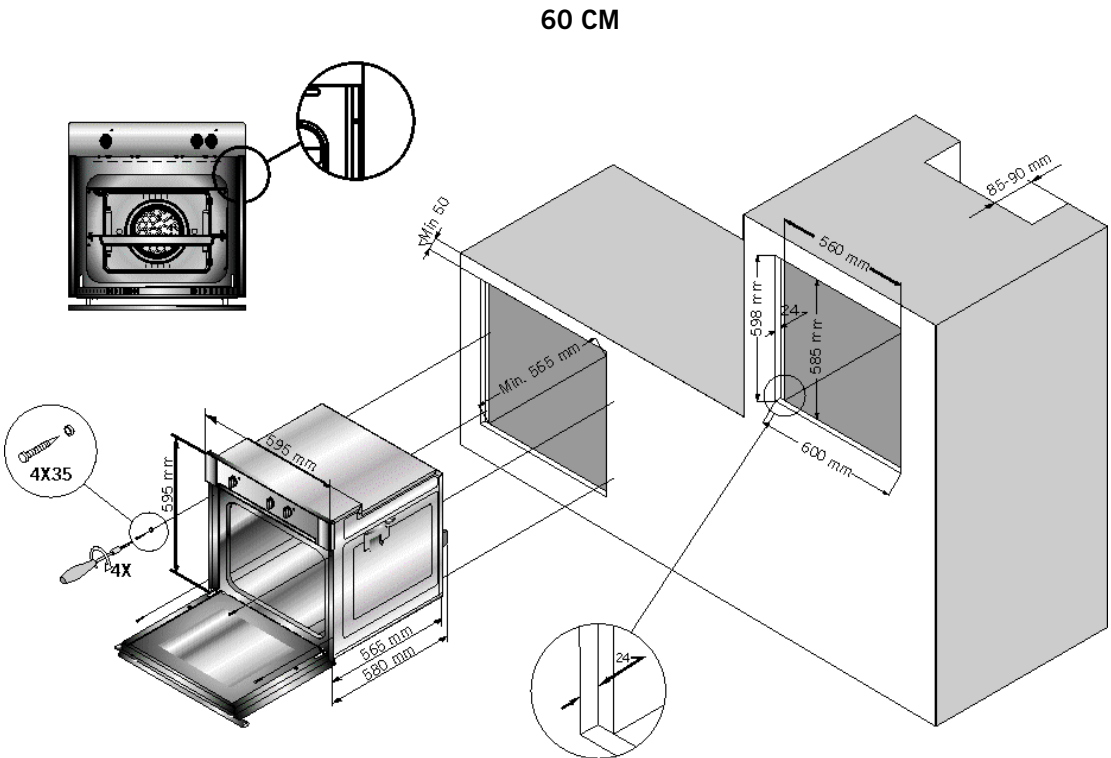
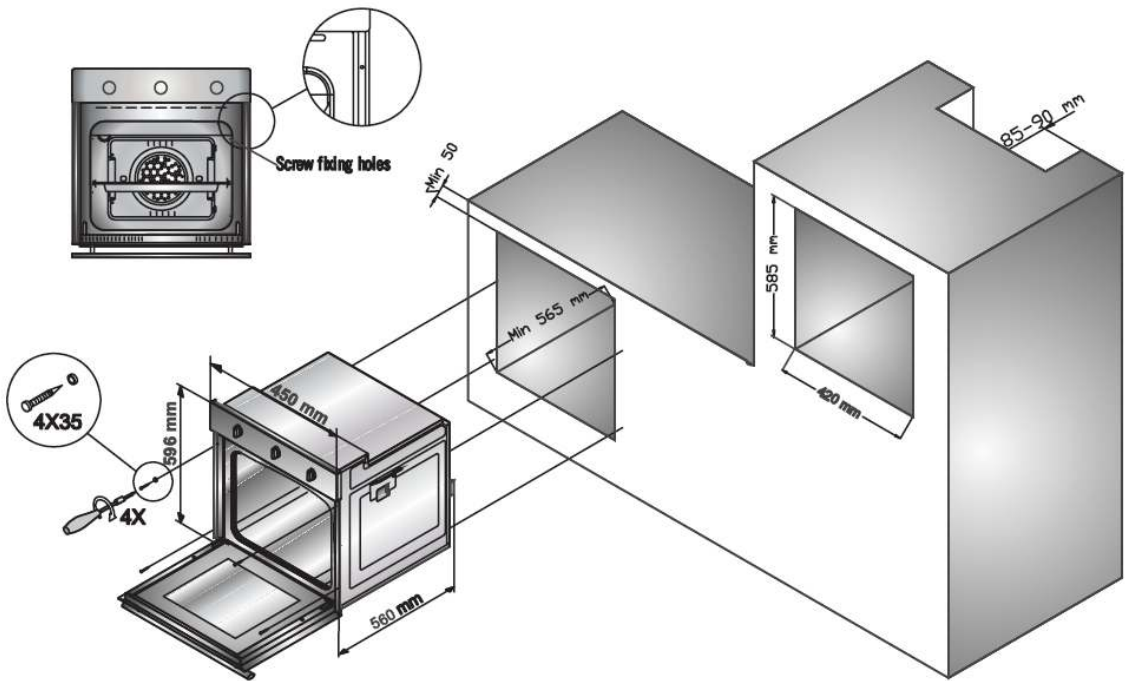


Figure 1

45 CM



Important notices for the installation:

1. This appliance must be installed by a competent person and with particular attention to ventilation
2. The housing must be heat resistant to a temperature of 95 °C as per EEC directives.
3. The oven can be installed into a Standard 600 mm housing unit as shown in Figure-1, or in a tall housing unit when built-in a column.
4. In both cases ventilation provisions must be made. Keep a gap at the back of the housing unit of 85 - 90 mm depth.
5. Do not step-on, lean-on or rest heavy items on the open door, or maneuvers the oven by the door.

TECHNICAL FEATURES OF YOUR OVEN

| Specifications | 60 cm | 45 cm |
|------------------------|-------------------------|-------------------------|
| Outer width | 595 mm | 450 mm |
| Outer depth | 610 mm | 560 mm |
| Outer height | 595 mm | 595 mm |
| Inner width | 460 mm | 365 mm |
| Inner depth | 400 mm | 410 mm |
| Inner height | 350 mm | 355 mm |
| Lamp power | 15 w | 15 w |
| Thermostat | 50 - 280 ^o c | 50 - 280 ^o c |
| Bottom heating element | 1200 w | 1000 W |
| Top heating element | 1000 w | 800 W |
| Turbo heating element | 2200 w | 1800 W |
| Grill heating element | 2000 w | 1500 W |
| Supply voltage | 220-240 V AC, 50-60 Hz | |



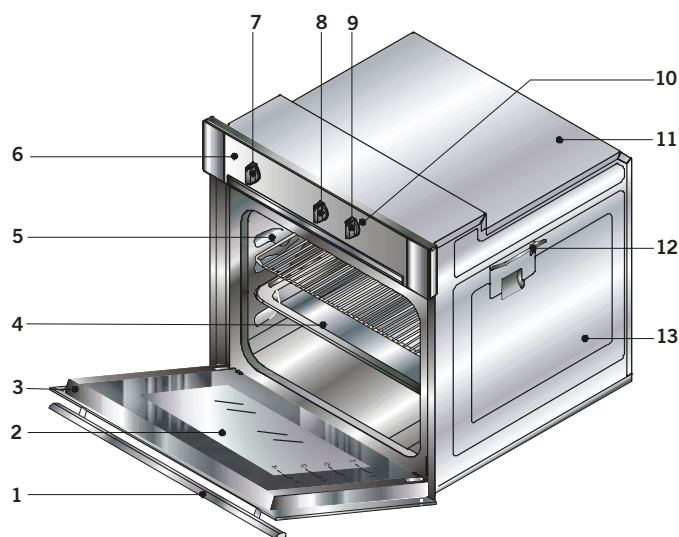
IMPORTANT WARNINGS

1. THIS APPLIANCE MUST BE EARTHED
2. Pay attention to health and safety requirements – do not leave children un-supervised when cooking.
3. Power supply voltage of your oven is 230 Volt 50 Hz.
4. If the current rate of the fuse in your installation is less than 16 Amp, have a qualified electrician fit a 16 Amp fuse. (for England 13 Amp)
5. The plug on your oven must be earthed, ensure the supply socket is earthed. If the oven is used without an appropriate earth connection, the manufacturer will not accept any liability for any loss or injury, which may arise. The plug has to be located as reachable after installing
6. Keep the electrical cable of your oven away from the hot areas; do not let them touch the appliance. Keep them away from sharp sides and heated surfaces.
7. If the supply cord is damaged, it must be replaced by the manufacturer, its services agent or similar qualified persons in order to avoid hazard.
8. Ensure that the appliance is switched off before replacing the lamp to avoid the possibility of electric shock.
9. In case of power failure, you will need to reset the clock. Otherwise, the oven will not operate (Digital Timer).
10. Usage of your appliance creates moisture and heat in the room; make sure that your kitchen is well ventilated.
11. When the oven is being used, some parts may become hot; children should be kept away and supervised at all times.
12. When the oven is hot never touch the oven glass by hand.
13. Before starting to use your appliance, keep curtains, paper or inflammable things away from your appliance. Do not keep combustible or inflammable things in or near the appliance.
14. This oven is produced for domestic cooking purposes only. Please do not use for any other purpose.
15. When connecting to a cooker panel, the supply switch must have a double pole switch with contact separation of 3mm min
16. Use glove when using cooker. Do not touch on hot surfaces.
17. Do not splash water onto the cooker.
18. Do not use cooker in potentially explosive atmospheres.
19. Do not carry cooker by holding from handle
20. Some models are supplied without a plug-an-lead set. In this case please use a flexible cable to suitable for connection to mono phase: H05 VV-F 3 G 4 mm² or for 3 phase: H05 VV-F 5 G 1.5 mm²

IF THE OVEN DOES NOT OPERATE

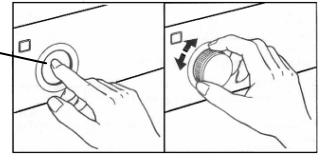
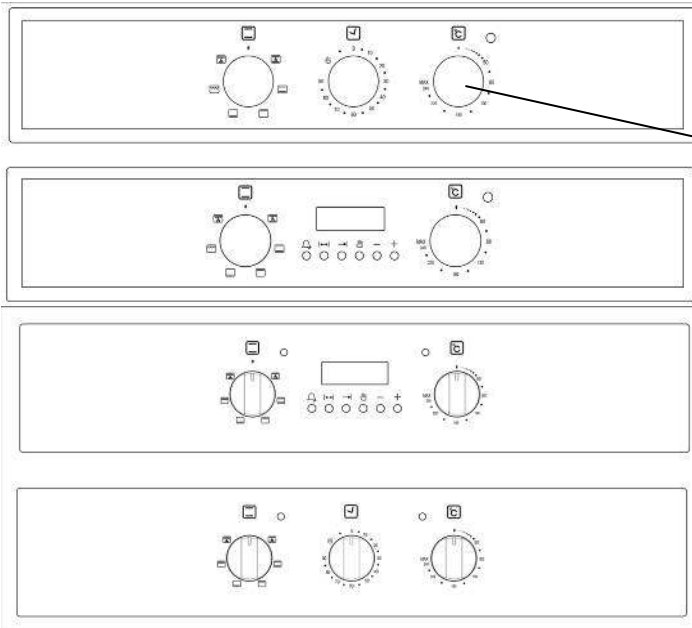
1. Please check that the electrical supply is connected and turned-on to the oven
2. Please check that there is electricity supply to the property.
3. Please check the fuse.
4. Please check the clock / auto programmer is set to the manual mode.
5. If you cannot solve the problem, contact the manufacturer-supplier, services agent or similar qualified persons.

DESCRIPTION OF OVEN and CONTROL PANELS

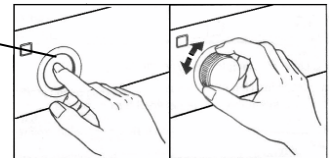
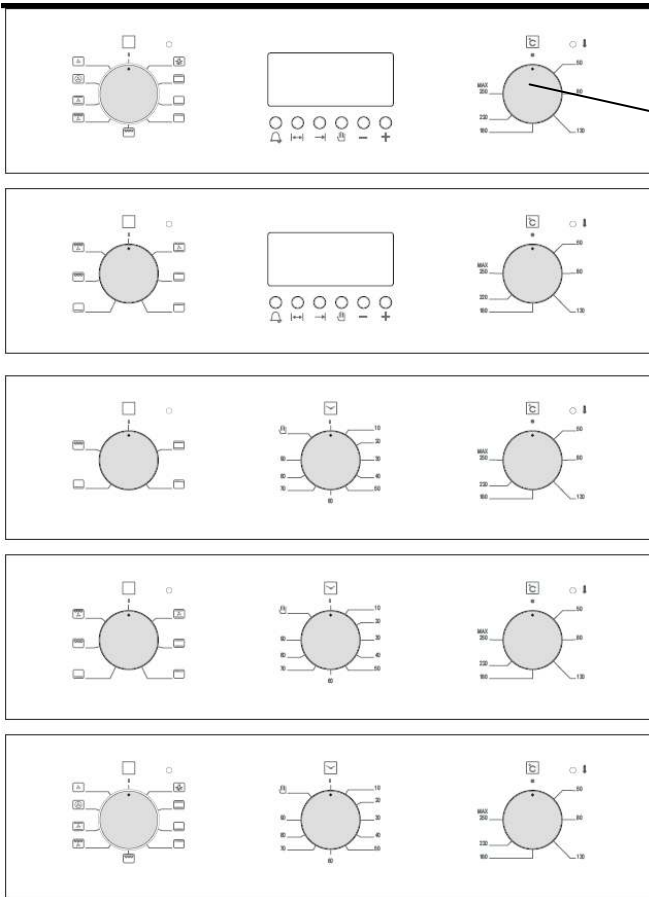


| | |
|-----|--|
| 1- | Oven handle |
| 2- | Oven door inner glass |
| 3- | Oven glass door |
| 4- | Oven tray |
| 5- | Cavity |
| 6- | Command panel |
| 7- | Oven control knob |
| 8- | Mechanic timer knob/digital timer knob |
| 9- | Thermostat control knob |
| 10- | Indicator of oven |
| 11- | Back cover |
| 12- | Transportation handle |
| 13- | Side panel |

60 cm



45 cm



Meanings of the symbols that might be on your control panel, are as follows

| | | | |
|---|------------------------------------|---|------------------------------|
|  | Fan |  | Bottom + Top heating element |
|  | Turbo Heating Element + Fan |  | Lamp |
|  | Bottom + Top heating Element + Fan |  | Bottom Heating Element + Fan |
|  | Grill + Fan |  | Grill + Turnspit |
|  | Grill |  | Grill + Lamp |
|  | Top Heating Element |  | Timer |
|  | Bottom Heating Element |  | Grill + Lamp + Turnspit |
|  | Turnspit |  | Lamp + Turnspit |
|  | Fan + Turnspit |  | Fan + Lamp |

THERMOSTAT KNOB; In order to operate the oven, the thermostat must be adjusted to desired temperature. Your thermostat can be regulated between 50° – 280° degrees Celsius.

MECHANIC TIMER KNOB (Optional); In order to operate the oven, the timer switch should be adjusted to the desired time.

USING THE OVEN SECTION

- When your oven is operated for the first time, an odor will be given off from using the heating elements. In order to get rid of this, operate the oven at 250 °C for 45 minutes while it is empty.
- In order to use your oven; the switch must be rotated to the desired temperature; otherwise the oven will not operate.
- A suggestion of cooking times and thermostat positions are given in cooking table below – these are only a guide and will vary subject to weight and quantity of food being cooked.
- You may experiment and find different flavors suitable for your taste depending on your cooking and using habits.
- When the oven is being used, the door of the oven should not be opened, otherwise circulation of the heat may be imbalanced and the results may change.

| Meals | Temperature (°C) | Rack position | Cooking time (min.) |
|---------------------|------------------|---------------|---------------------|
| Creamed cake | 150 - 170 | 2 | 30 - 35 |
| Pastry | 200 - 220 | 2 | 35 - 45 |
| Biscuit | 160 - 170 | 3 | 20 - 25 |
| Cookie | 160 - 170 | 3 | 20 - 35 |
| Cake | 160 - 180 | 2 | 25 - 35 |
| Braided cookie | 200 - 220 | 2 | 30 - 40 |
| Filo pastry | 180 - 200 | 2 | 35 - 45 |
| Savory pastry | 160 - 180 | 2 | 20 - 30 |
| Lamb meat | 210 - 230 | 1 | 90 - 120 |
| Veal | 210 - 230 | 1 | 90 - 120 |
| Mutton | 210 - 230 | 1 | 90 - 120 |
| Chicken (in pieces) | 210 - 230 | 1 | 75 - 100 |
| Fish | 190 - 210 | 3 | 40 - 50 |

Note: The values in the table are the results obtained in our laboratories. You can find different flavors and suitable to your taste by experience. 5 - 10 min. preliminary heating should be done prior to cooking.

USING THE HEAT SHIELD

1. A heat shield (figure 1) is designed to protect the control panel and knobs when the oven is in Grill mode.
2. Please use the heat shield in order to avoid heat damage to the control panel and the control knobs when the oven is in Grill mode.
3. Place the heat shield under the control panel by opening the oven front door (Figure 2)
4. Locate the two mounting tabs on the heat shield into the two slots under the control panel, then secure in place between oven and inner door by gently closing the door (figure 3).
5. It is important to keep the door opened at a specified distance when Grilling.
6. The heat shield will provide an ideal cooking performance while protecting the control panel and knobs.

WARNING: THE HEAT SHIELD BECOMES HOT IN USE; NEVER ATTEMPT TO REMOVE IT WITH BARE HANDS IMMEDIATELY AFTER USE.

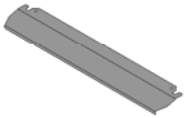


Figure-1

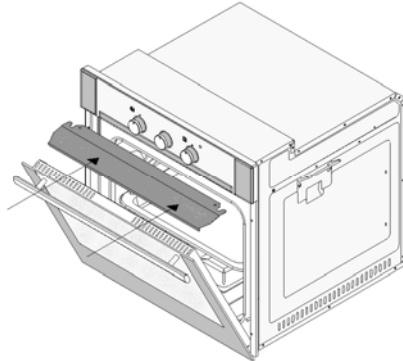


Figure-2

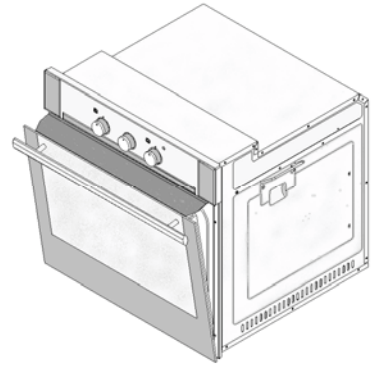
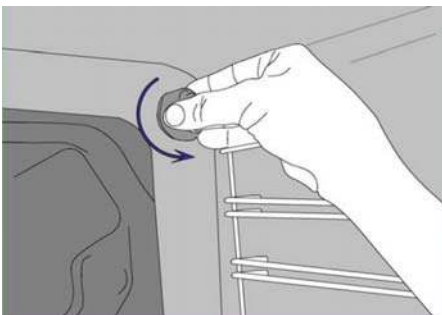
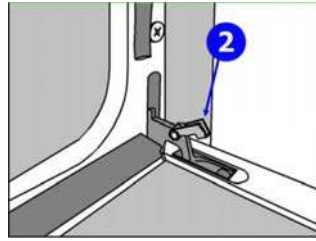
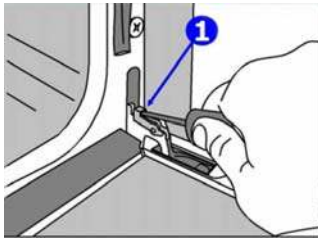


Figure-3

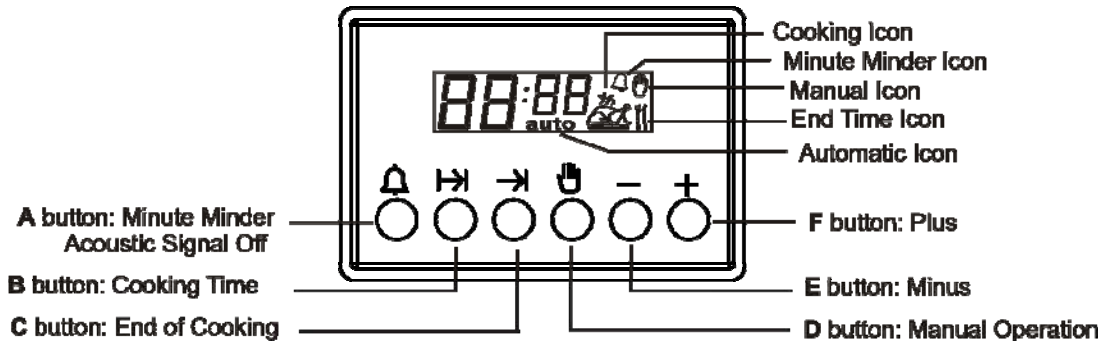
MAINTENANCE and CLEANING

1. Disconnect the plug supplying the electricity to the oven or switch off at the supply panel.
2. While the oven is operating or shortly after it starts operating, it becomes very hot. You must take care to avoid touching the heating elements.
3. Never clean the interior parts, panels, trays and all other enamel parts of the oven using tools like hard wire brush, scouring mesh or knife. Do not use abrasive, scratching agents and detergents.
4. After cleaning the interior parts of the oven with a soapy cloth, rinse it and then dry thoroughly with a soft cloth.
5. Clean the glass surfaces with special glass cleaning agents.
6. Do not clean your oven with steam cleaners.
7. Never use inflammable agents like thinners, petrol and acid, when cleaning your oven.
8. Do not wash any part of your oven in a dishwasher.
9. In order to clean the glass door of the oven; remove the inner glass cover profile (across the top and has many holes). Slide the glass out carefully, then clean and rinse glass thoroughly. After drying, re-install the glass in the door and refit top glass cover profile.
10. Clean the oven regularly to prevent heavy build-up of cooking spoil that can result in burning smells.
11. Baked-on cooking spoil can give an appearance of 'blisters' in the enamel on the floor of the oven, 'blistering' is not possible and baked-on grease is not a manufacturing defect.





DIGITAL TIMER USER MANUAL



MANUAL OPERATION

To set oven for manual operation or to cancel automatic cooking, press button **D**.






SETTING THE TIME OF DAY (24 H CLOCK)

Press button **D** while automatic cooking is not in progress, “:” icon starts flash. Press **E** or **F** to enter the time of day. “:” icon stops flashing 6 seconds later.




COOKING TIME WITH DELAY

Press button **B**, “” icon starts flash and “**auto**” icon appears on the display. Press button **F** or **E** to enter the required time (for example 1 hour). The “” icon appears on the display.

Then, press button **C**, “” icon starts flash on the display. Press button **F** or **E** to enter the end of cooking



SETTING THE MINUTE MINDER

Press button **A**, “  ” icon starts flash. Press button **F** or **E** to enter the




required time (maximum 23h. 59min.).

After required time has been selected the clock will revert to the time of day. When time is up an audible signal will be heard for approximately 7 minutes. To cancel press button **A** and return control and thermostat knobs to the OFF position.


time. (for example 20:30)





The “  ” icon disappears on the display. Turn the thermostat and function control knobs to the required settings. Oven will not be switched on until cooking start time.

When cooking start





“  ” icon appears on the display.

COOKING TIMER

Press button **B**, “  ” icon starts flash and “ **auto** ” icon appears on the display. Press button **F** or **E** to enter the required time (for example 1 hour). The “  ” icon appears on the display. Then, select the required temperature and the oven function.





When cooking is completed, an audible signal will be heard for approximately 7 minutes, “  ” icon and flashing “  ” icon will be seen on the display. Return control and thermostat knobs to the OFF position. Press button **D** to cancel signal and to return to the manual operation.



When cooking is completed,




an audible signal will be heard for approximately 7 minutes, “  ” icon and flashing “  ” icon will be seen on the display. Return control and thermostat knobs to the OFF position. Press button **D** to cancel signal and to return to the manual operation.

BUZZER TONE ADJUSTMENT

Every press button **E** changes tone. There are 3 different tones available (default is high).

DISPLAY BRIGHTNESS ADJUSTMENT

Every press button **F** changes brightness level. There are 3 different brightness levels available (default is the brightest).

In case of loss of power, time of day, set programs or programs in operation settings will be cancelled. When the power is restored, “  ” icon on the display will flash, and the timer has to be reset.



ВСТРОЕННАЯ ЭЛЕКТРОПЛИТА

Руководство пользователя

Уважаемый пользователь;

Мы хотим предоставить вам высококачественный продукт, изготовленный на нашем современном заводе с повышенной степенью осторожности и в соответствии со всеми принципами контроля качества.

Таким образом, мы предлагаем вам внимательно прочитать Руководство пользователя до использования продукта и сохранить это Руководство для того, чтобы сослаться на него в дальнейшем.

Примечание: Настоящее Руководство пользователя может применяться более чем к одной модели. Некоторые из параметров, указанных в Руководстве, могут отсутствовать в вашей модели.

Части упаковки (полиэтиленовые пакеты, полистирол и т.д.) должны храниться вдали от детей, так как они являются потенциально опасными. Пожалуйста, обращайтесь с упаковкой осмотрительно.

Предупреждение: Все наши приборы не для коммерческого, а только для домашнего использования.



НАСТОЯЩЕЕ УСТРОЙСТВО ДОЛЖНО БЫТЬ УСТАНОВЛЕНО В СООТВЕТСТВИИ С ДЕЙСТВУЮЩИМИ ПРАВИЛАМИ, И ИСПОЛЬЗОВАТЬСЯ ТОЛЬКО В ХОРОШО ПРОВЕТРИВАЕМОМ ПОМЕЩЕНИИ. ПРОЧТИТЕ ИНСТРУКЦИЮ ДО УСТАНОВКИ ИЛИ ИСПОЛЬЗОВАНИЯ НАСТОЯЩЕГО УСТРОЙСТВА.

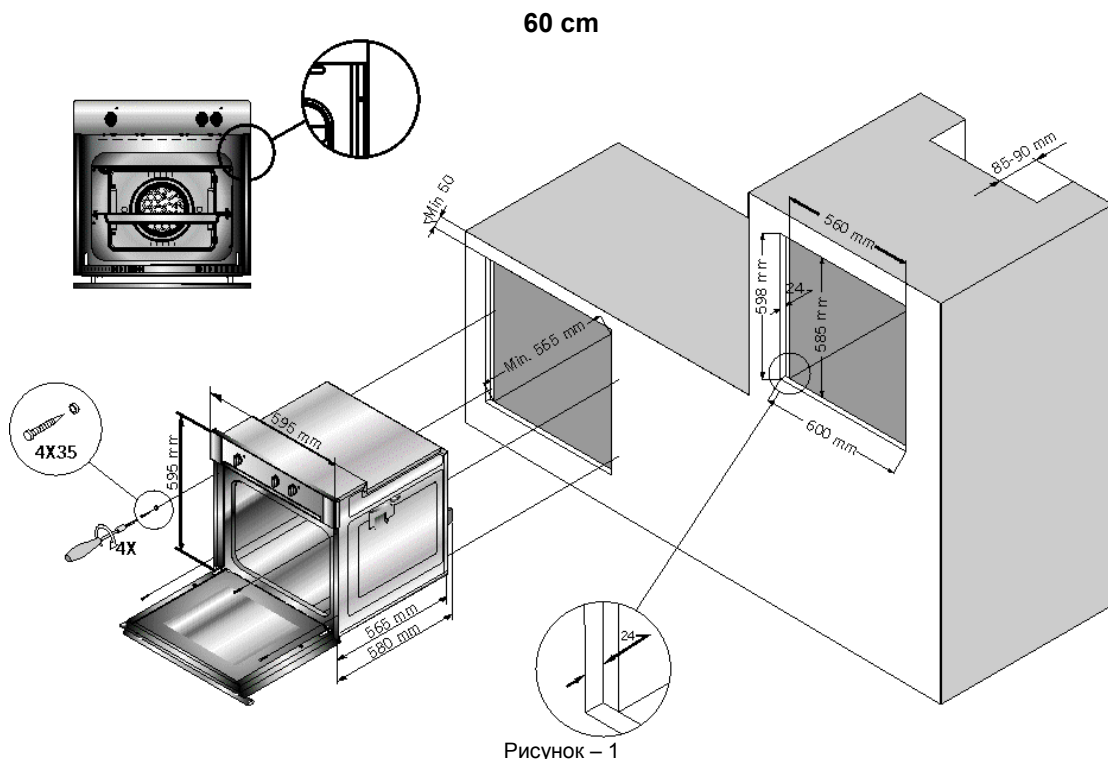
СОДЕРЖАНИЕ

| |
|--|
| УСТАНОВКА ВАШЕЙ ПЛИТЫ |
| ТЕХНИЧЕСКИЕ ХАРАКТЕРИСТИКИ ВАШЕЙ ПЛИТЫ |
| НЕОБХОДИМЫЕ ПРЕДОСТЕРЕЖЕНИЯ |
| ЕСЛИ ВАША ПЛИТА НЕ РАБОТАЕТ |
| ОПИСАНИЕ ПЛИТЫ И ПАНЕЛЬ УПРАВЛЕНИЯ |
| ИСПОЛЬЗОВАНИЕ ПЛИТЫ |
| ИСПОЛЬЗОВАНИЕ ТЕПЛОГО КОЗЫРЬКА |
| ТЕХНИЧЕСКОЕ ОБСЛУЖИВАНИЕ И ЧИСТКА |
| ОБЩИЙ ОБЗОР ЦИФРОВОГО ТАЙМЕРА |

УСТАНОВКА ВАШЕЙ ПЛИТЫ

Электрическое Соединение И Безопасность

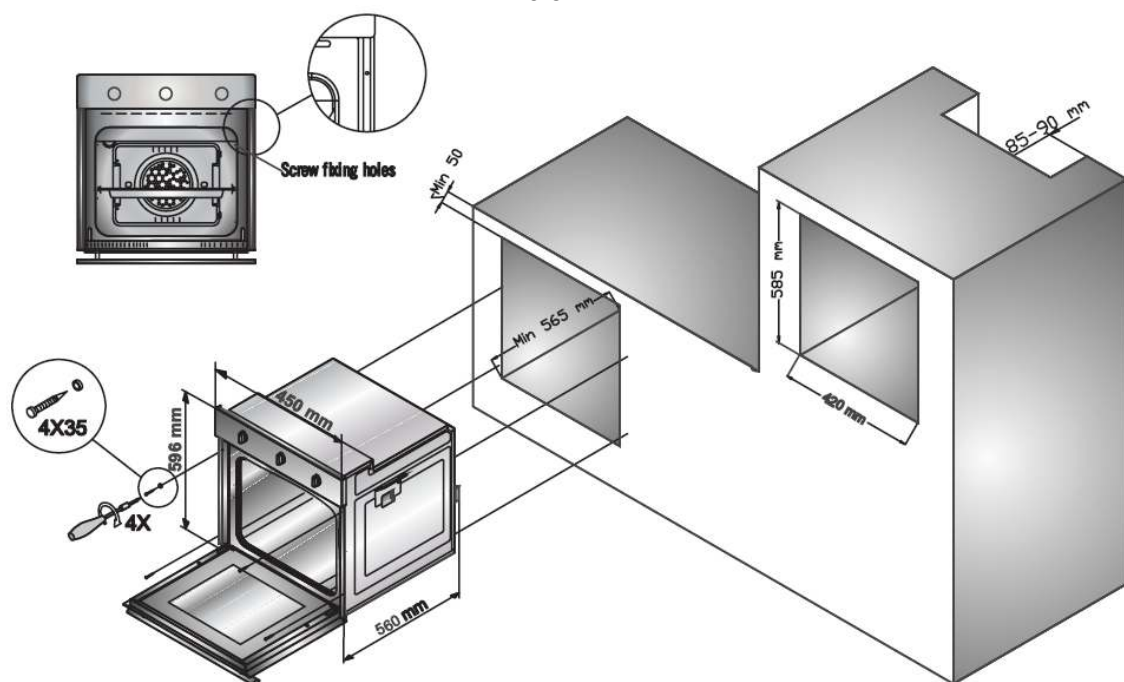
1. Это устройство должно заземляться
2. Ваша плита отрегулирована в соответствии с электропитанием 230 Вольт переменного тока, 50 Герц и требует 16 - Амперный предохранитель. Если питающая сеть отличается от вышеуказанной, обратитесь к электрику или в соответствующий сервис.
3. Изоляционные переключатели для плиты должны быть предоставлены конечному пользователю при доставке плиты на место. Если вам нужно заменить 16 Амперные розетки, пожалуйста, убедитесь, что вы заново электрифицировали вилку следующим образом:
 - **Коричневый** провод к **Активному** терминалу
 - **Голубой** провод к **Нейтральному** терминалу
 - **Жёлтый и зелёный** провода к **Заземлению**
4. Электрическое соединение плиты должно осуществляться только с использованием розеток с установленной системой заземления и в соответствии с правилами. Если нет подходящей розетки с заземлением, немедленно обратитесь к квалифицированному электрику. Изготовитель не несет ответственность за неполадки или телесные повреждения, которые возникли по причине использования несоответствующих розеток, не имеющих систему заземления.
5. В случае повреждения кабеля электропитания, он должен быть заменен инженером из соответствующего сервиса или квалифицированным электриком.
6. Кабель электропитания не должен касаться горячих частей устройства.
7. Плита должна быть установлена в корпус, что обеспечивает более высокую вентиляцию.
8. Плита должна быть правильно установлена квалифицированным человеком и защищена в соответствии с инструкциями производителя.
9. Никогда не обрабатывайте плита, когда она включена. Техническое обслуживание и ремонт должны производиться после прекращения электропитания.



Необходимые примечания для установки:

- 1 - Устройство должно быть установлено компетентным человеком и, обращая особое внимание на вентиляцию.
- 2 - Корпус должен быть огнеупорным к температуре 95 °С в соответствии с директивами ЕЕС.
- 3 - Плита может быть установлена в стандартном 600-миллиметровом корпусе, как указано на Рис.1 или в высоком корпусе при встраивании в колонну.
- 4 - В обоих случаях должны соблюдаться условия вентиляции. Оставьте отверстие глубиной 85-90 мм в задней части корпуса.
- 5 - Не наступайте, не прислоняйтесь и не кладите тяжелые предметы на открытую дверь и не перемещайте плита, держа за её дверцу.

45 cm



ТЕХНИЧЕСКИЕ ХАРАКТЕРИСТИКИ ВАШЕЙ ПЛИТЫ

| | | |
|--------------------------------|----------------------|-------------|
| Внешняя ширина | 595 мм | 450 мм |
| Внешняя глубина | 610 мм | 560 мм |
| Внешняя высота | 595 мм | 595 мм |
| Внутренняя ширина | 460 мм | 365 мм |
| Внутренняя глубина | 400 мм | 410 мм |
| Внутренняя высота | 350 мм | 355 мм |
| Питание лампы | 15 Вт | 15 Вт |
| Термостат | 50-280°C | 50 - 280 °C |
| Нагревательный элемент дна | 1200 Вт | 1000 Вт |
| Верхний нагревательный элемент | 1000 Вт | 800 Вт |
| Нагревательный элемент турбо | 2200 Вт | 1800 Вт |
| Нагревательный элемент гриль | 2000 Вт | 1500 Вт |
| Напряжение питания | 220-240 В , 50-60 Гц | |



Перед началом использования устройства, внимательно прочтите Руководство пользователя. В настоящем Руководстве содержится важная информация о вашей безопасности, эксплуатации и техническом обслуживании плиты.

Сохраните настоящее Руководство пользователя и при необходимости дайте его людям, использующим данную плиту.

НЕОБХОДИМЫЕ ПРЕДОСТЕРЕЖЕНИЯ



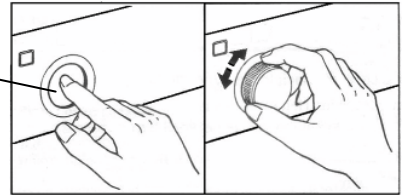
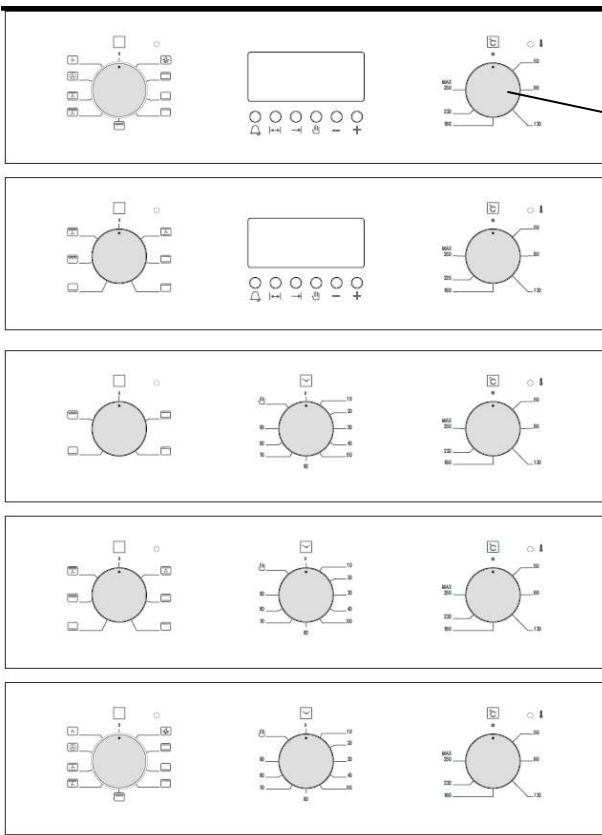
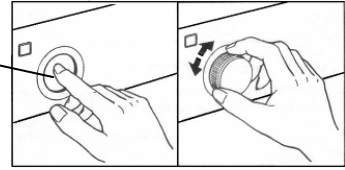
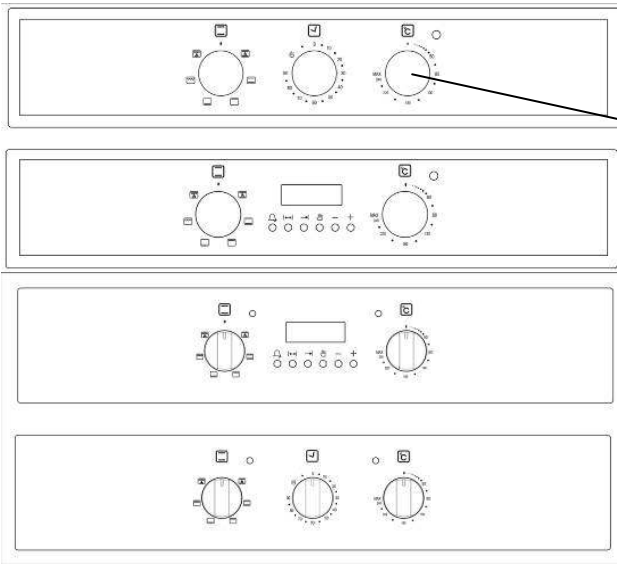
ПРИМЕЧАНИЕ: НАСТОЯЩЕЕ УСТРОЙСТВО ДОЛЖНО БЫТЬ С ЗАЗЕМЛЕНИЕМ

1. Обратите внимание на требования охраны здоровья и безопасности – не оставляйте детей без присмотра во время готовки.
2. Электропитание вашей плиты 230 вольт 50 герц.
3. Если номинал устанавливаемого предохранителя меньше 16 ампер, обратитесь к квалифицированному электрику для того, чтобы он отрегулировал предохранитель на 16 ампер.
4. Вилка на вашей плите должна быть с заземлением, убедитесь, что сетевая розетка с заземлением. Если плита будет использоваться без соответствующего заземления, изготовитель не несет никакой ответственности за потери или телесные повреждения. После установки вилка должна быть расположена в доступном месте.
5. Держите электрический кабель плиты вдали от горячих мест; они не должны касаться устройства. Держите их вдали от острых краев и нагреваемых поверхностей.
6. При повреждении провода, он должен быть заменен производителем, его работниками или другими квалифицированными людьми для избежания риска.
7. Прежде, чем заменить лампу, убедитесь в том, что устройство выключено для того, чтобы избежать поражения электрическим током.
8. В случае прекращения подачи энергии необходимо повторно настроить часы. В противном случае, плита не будет работать (Цифровой таймер).
9. Использование устройства создаёт в помещении влагу и тепло; убедитесь в том, что ваша кухня хорошо проветривается.
10. При использовании плиты, некоторые её части могут нагреваться; не подпускать детей к плите и не оставлять их без присмотра.
11. Не трогать руками стекло плиты, когда она нагрета.
12. Перед началом использования вашей плиты, уберите занавеси, бумаги или легко воспламеняющиеся предметы от устройства. Не храните горючие или воспламеняющиеся предметы в устройстве или рядом с ним.
13. Эта плита должна использоваться только в целях домашней готовки. Не использовать в каких-либо других целях.
14. При подключении панели плиты, переключатель должен иметь два полюса с минимум 3-миллиметровым зазором между разомкнутыми контактами.
15. Используйте перчатки во время использования плиты. Не дотрагивайтесь до горячих поверхностей.
16. Не разбрызгивайте воду на плиту.
17. Не используйте печь в потенциально взрывоопасных атмосферах.
18. Не перемещайте плиту, держа за рукоятку.
19. Некоторые модели поставляются без штепсельного комплекта. В этом случае, пожалуйста, используйте гибкий кабель, пригодный к монофазному: H05 VV-F3 G4 мм2 или 3-хфазному подключению: H05 VV-F5 G1,5 мм2.

ЕСЛИ ВАША ПЛИТА НЕ РАБОТАЕТ

1. Проверьте подключение электропитания к плите.
2. Проверьте электричество.
3. Проверьте предохранитель.
4. Проверьте часы / настройку автоматического устройства программирования на ручной режим.
5. Если вы не можете устранить неполадку, обратитесь к изготовителю-поставщику, работнику сервиса или другому квалифицированному специалисту.

ОПИСАНИЕ ПЛИТЫ И ПАНЕЛЬ УПРАВЛЕНИЯ



ЗНАЧЕНИЕ СИМВОЛОВ, КОТОРЫЕ МОГУТ БЫТЬ НА ПАНЕЛИ УПРАВЛЕНИЯ:

| | | | |
|--|---|--|--|
| | вентилятор или конвекция | | Нижний + верхний нагревательный элемент |
| | Турбо нагревательный элемент + конвекция | | Подсветка |
| | Нижний+верхний нагр. элемент + вентилятор | | Нижний нагревательный элемент + вентилятор |
| | Гриль + вентилятор | | Гриль + вертел |
| | Гриль | | Гриль + подсветка |
| | Верхний нагревательный элемент | | Таймер |
| | Нижний нагревательный элемент | | Гриль + подсветка + вертел |
| | Вертел | | Подсветка + вертел |
| | Вентилятор + вертел | | Вентилятор + подсветка |

КНОПКА ТЕРМОСТАТА: Для того, чтобы использовать плиту, термостат должен быть отрегулирован на желаемую температуру. Ваш термостат можно регулировать в пределах 50-280 °С.

КНОПКА МЕХАНИЧЕСКОГО ТАЙМЕРА (по выбору): Для того, чтобы использовать плиту, переключатель таймера должен быть отрегулирован на желаемое время.

ОПИСАНИЕ ПЛИТЫ И ПАНЕЛЬ УПРАВЛЕНИЯ

(Стеклопанель)

| | |
|-----|---|
| 1- | Рукоятка |
| 2- | Внутреннее стекло дверцы плиты |
| 3- | Стеклопанель |
| 4- | Лист плиты |
| 5- | Каналы |
| 6- | Кнопка управления термостатом (выскакивающего типа) |
| 7- | Лампа термостата |
| 8- | Цифровой таймер |
| 9- | Кнопка управления плитой (выскакивающего типа) |
| 10- | Корпус плиты |
| 11- | Индикатор плиты |
| 12- | Боковая панель |
| 13- | Шарниры дверцы плиты |



ИСПОЛЬЗОВАНИЕ ПЛИТЫ

При использовании плиты в первый раз, от нагревательных элементов будет исходить неприятный запах. Для того, чтобы от него избавиться используйте печь в течение 45 минут при температуре 250 °С в пустом виде.

Для того, чтобы использовать плиту; переключатель должен быть повернут на желаемую температуру, в противном случае плита не будет работать.

Рекомендации по времени готовки и позициям термостата представлены ниже в кулинарной таблице. Эта таблица является только справочником и может меняться в зависимости от веса и количества приготавливаемой еды.

Вы можете делать эксперименты и находить различные вкусы в зависимости от ваших кулинарных привычек. При использовании плиты её крышка должна быть открыта, в противном случае может возникнуть дисбаланс тепловой циркуляции, и результаты могут измениться.

КУЛИНАРНАЯ ТАБЛИЦА

| Блюда | Температура | Позиция подставки | Время приготовления (мин.) |
|------------------------|-------------|-------------------|----------------------------|
| Торт с кремом | 150 - 170 | 2 | 30 - 35 |
| Мучные изделия | 200 - 220 | 2 | 35 - 45 |
| Бисквиты | 160 - 170 | 3 | 20 - 25 |
| Печенья | 160 - 170 | 3 | 20 - 35 |
| Торты | 160 - 180 | 2 | 25 - 35 |
| Плетеные печенья | 200 - 220 | 2 | 30 - 40 |
| Слоеная выпечка | 180 - 200 | 2 | 35 - 45 |
| Выпечка с пряностями | 160 - 180 | 2 | 20 - 30 |
| Баранина | 210 - 230 | 1 | 90 - 120 |
| Телятина | 210 - 230 | 1 | 90-120 |
| Говядина | 210 - 230 | 1 | 90-120 |
| Цыпленок (разрезанный) | 210 - 230 | 1 | 75 - 100 |
| Рыба | 190 - 210 | 3 | 40 - 50 |



Примечание: Цифры, указанные в таблице, являются результатами, полученными в наших лабораториях. Вы можете менять их по вкусу. За 5-10 минут до начала приготовления необходимо разогреть плиту.

ИСПОЛЬЗОВАНИЕ ТЕПЛОГО КОЗЫРЬКА

1. Тепловой козырёк (Рис.1) служит для защиты панели управления и кнопок, когда плита находится в режиме Гриля.
2. **Пожалуйста, используйте тепловой козырек для того, чтобы предотвратить тепловое повреждение панели управления и ручек управления, когда плита находится в режиме Гриля.**
3. Поместите тепловой козырек под панелью управления, открыв переднюю дверцу плиты (Рис.2).
4. Вставьте два ушка на тепловом козырьке в отверстия, расположенные под панелью управления, а затем закрепите их на месте между плитой и внутренней дверцей, осторожно закрыв дверь (Рис.3)
5. Важно держать дверцу открытой на определенном расстоянии, когда плита находится в режиме Гриля.
6. Тепловой козырек обеспечивает идеальное приготовление и защищает панель управления и ручки.



ПРЕДОСТЕРЕЖЕНИЕ: ТЕПЛОЙ КОЗЫРЁК НАГРЕВАЕТСЯ ПРИ ИСПОЛЬЗОВАНИИ

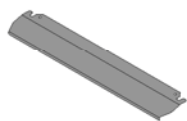


Рисунок - 1

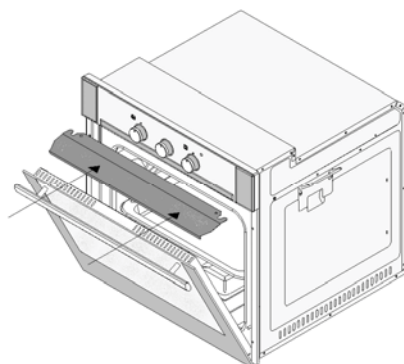


Рисунок - 2

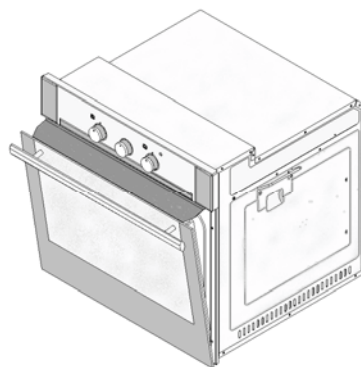
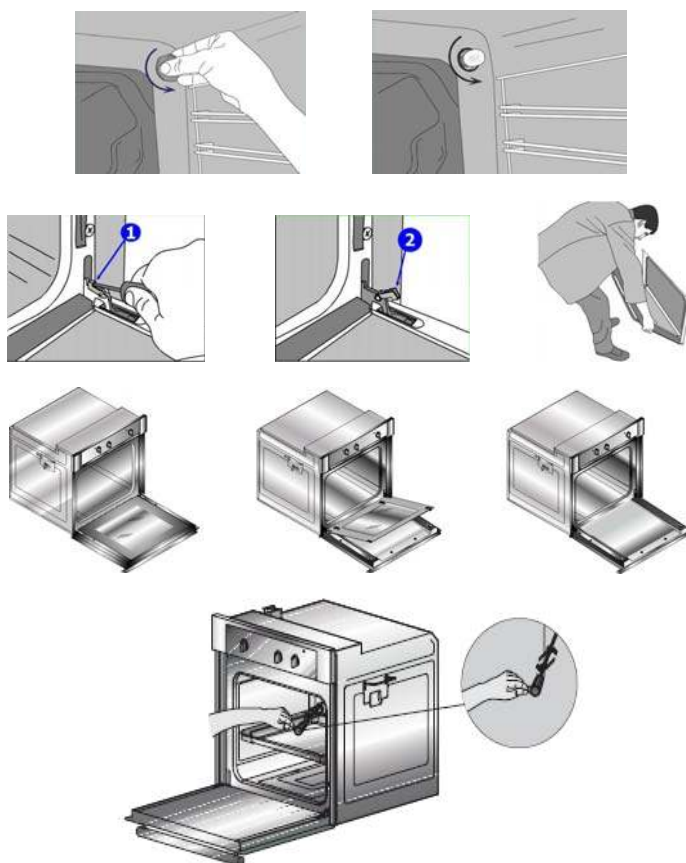


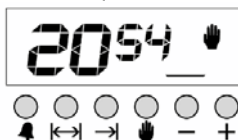
Рисунок - 3

ТЕХНИЧЕСКОЕ ОБСЛУЖИВАНИЕ И ЧИСТКА

1. Разъедините вилку, обеспечивающую электропитание плиты или отключите панель питания.
2. Во время работы плиты или вскоре после начала её работы, плита сильно нагревается. Будьте осторожны и не прикасайтесь к горячим частям плиты.
3. Не чистите внутренние части, панели, листы или другие части плиты, покрытые эмалью, используя такие инструменты, как:
4. жесткая проволочная щетка, шлифовальная металлическая сетка или нож. Не используйте шлифующие, царапающие средства или детергенты.
5. После очистки внутренних частей плиты намыленной тканью, прополощите её, а затем тщательно протрите мягкой тканью.
6. Вытирайте стеклянные поверхности специальными средствами для очистки стекла.
7. Не чистите вашу плиту парочистителями.
8. Не используйте легковоспламеняющиеся вещества для очистки плиты, например растворители, бензин или кислоты.
9. Не мойте никакие части плиты в посудомоечной машине.
10. Для очистки стеклянной дверцы плиты: удалите внутреннее стеклянное покрытие (находится поперек вершины и имеет много отверстий). Осторожно вытащите стекло, а затем очистите и тщательно прополощите. После очистки, заново установите стекло в дверцу и верхнее стеклянное покрытие.
11. Регулярно проводите очистку плиты для предотвращения накопления пищевых отходов, которые могут привести к запаху при возгорании.
12. Запекшиеся остатки могут создать вид «вздутий» на эмали дна плиты, «вздутия» и запекшийся жир не являются производственным дефектом.



ОБЩИЙ ОБЗОР ЦИФРОВОГО ТАЙМЕРА



LCD является электронным таймером, который позволяет вашей плите приготовить блюдо в желаемое время. Единственное, что нужно сделать, это запрограммировать время начала приготовления и время готовности. Он также может быть использован в качестве будильника, посредством которого вы устанавливаете время напоминания звуковым сигналом.

НАСТРОЙКА ВРЕМЕНИ

Вы можете настроить отображаемое время, только если автоматическая программа приготовления не находится в действии (на экране отображаются только время и значок руки). Нажмите значок руки, маленький треугольник между часами и минутами начнет мигать, используйте кнопки + или - для настройки. Долгое нажатие этих кнопок обеспечит быструю настройку.



- 1) Переключитесь в режим настройки времени
- 2) Настройте время, используя кнопки + и -
- 3) Экран стабилизируется в течение 5 секунд

НАСТРОЙКА БУДИЛЬНИКА

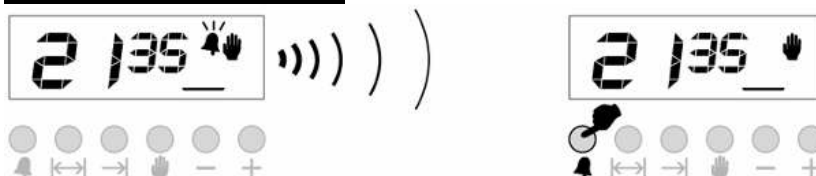
С помощью этой функции вы можете запрограммировать время, через которое будильник должен уведомить вас звуковым сигналом.



- 1) переключитесь в режим будильника
- 2) Установите время начала отсчета
- 3) Через несколько секунд, экран вернется в режим часов

Примечание: После программирования остаток времени можно узнать, один раз нажав кнопку

ОТМЕНА ЗВУКОВОГО СИГНАЛА

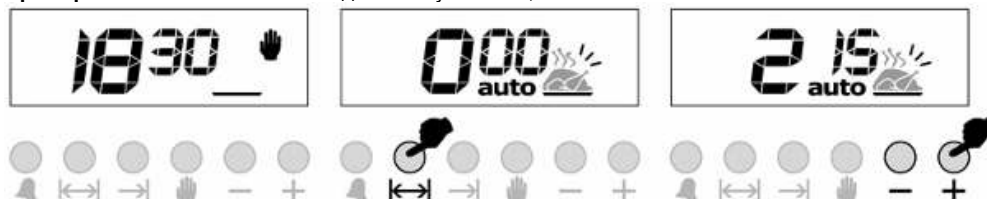


- 1) Звуковой сигнал раздастся после истечения запрограммированного времени.
- 2) Нажмите 🔔 для отмены

ПРОГРАММА АВТОМАТИЧЕСКОГО ПРИГОТОВЛЕНИЯ

Если вы хотите немедленно начать приготовление, вы должны только задать время приготовления.

Пример: Мы положили наше блюдо в плиту и хотим, чтобы оно было готово в течение 2 часов 15 мин.



- 1) Текущее время 18:30
- 2) Переключитесь в режим времени Приготовления
- 3) Настройте время приготовления, используя кнопки + или -

4) Через несколько секунд на экране будет указано, что приготовление началось и текущее время. Сейчас вы запрограммировали плиту приготовить блюдо в течение 2 часов 15 мин. Пожалуйста, не забудьте настроить функцию и/или переместить кнопки плиты на соответствующие позиции.

Примечание: Вы можете отключить режим автоматического приготовления в любое время нажатием кнопки ⏻.

В вышеприведенном примере приготовление начинается после определения периода приготовления. Нажав кнопку вы можете увидеть время готовности, т.е. время, когда блюдо будет готово, и при желании вы можете поменять его. В нижеприведенном примере время готовности будет изменено на 21:30.



- 1) Отображается время готовности 2) Установите его на желаемое 3) Через несколько секунд экран 18:30+2:15=20:45
- время с помощью кнопок + или - переключается в режим часов

Мы запрограммировали нашу плиту приготовить блюдо к 21:30. Так как время приготовления было запрограммировано на 2 часа 15 мин. ваша плита начнет приготовление в 19:15, так что блюдо будет готово в 21:30.

Вид экрана сразу после начала приготовления Вид экрана сразу после завершения приготовления



После завершения автоматического приготовления, вы услышите звуковой сигнал, который будет продолжаться в течение 7 минут, если его не остановить.

- 1) Выключите плиту 2) Переустановите таймер

Примечание: Ваша плита не будет работать, пока вы не переустановите таймер.

В приведенном примере сначала было установлено время приготовления, время готовности было подсчитано автоматически и отредактировано нами. Также возможно сначала запрограммировать время готовности. В таком случае время приготовления будет подсчитано автоматически и должно быть отредактировано впоследствии.

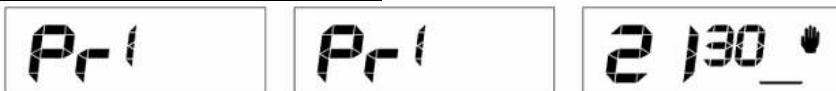
Во время действия программы автоматического приготовления, цвет заднего освещения экрана будет зеленым до начала приготовления и красным во время приготовления.

Перебои в электросети отключат вашу плиту. В этом случае значок руки на экране будет мигать, и будет указано время 12:00. Любая программа приготовления будет отменена. Нажмите значок ⏻ для приведения плиты в рабочий режим, второй раз нажмите ⏻ для настройки часов (См. НАСТРОЙКА ВРЕМЕНИ).

Примечание: Если в данный момент не используете плиту, убедитесь в том, что она выключена.

МИГАЮЩИЙ ЗНАЧОК РУКИ УКАЗЫВАЕТ НА ТО, ЧТО ВАША ПЛИТА ВЫКЛЮЧЕНА, И ВЫ ДОЛЖНЫ НАЖАТЬ ⏻ ДЛЯ ВКЛЮЧЕНИЯ

НАСТРОЙКА ЗВУКОВОГО СИГНАЛА



- 1) Нажмите и удерживайте кнопку ⏻ в течение 5 секунд, вы услышите текущий сигнал.
- 2) Используя кнопки + или - вы можете настроить звук (существуют три позиции)
- 3) установите громкость, нажав кнопку ⏻

ПРОГРАММИРУЕМЫЕ ОПЦИИ

НАСТРОЙКА ГРОМКОСТИ СИГНАЛА

- Нажмите кнопку ⏻ в течение 5 секунд (до того, как вы увидите 'pr 1' на экране)
- Нажмите кнопку - для уменьшения громкости сигнала
- Нажмите кнопку + для увеличения громкости сигнала (стандартный сигнал является громким)
- Нажмите кнопку ⏻ для установки последнего услышанного сигнала.

Примечание: Для выхода без изменений нажмите кнопку Стандартные:

Сигнал: высокий тон
Звук при нажатии: ВКЛ.