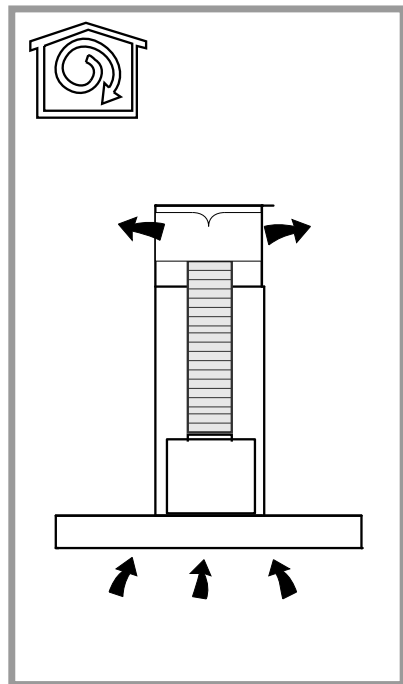
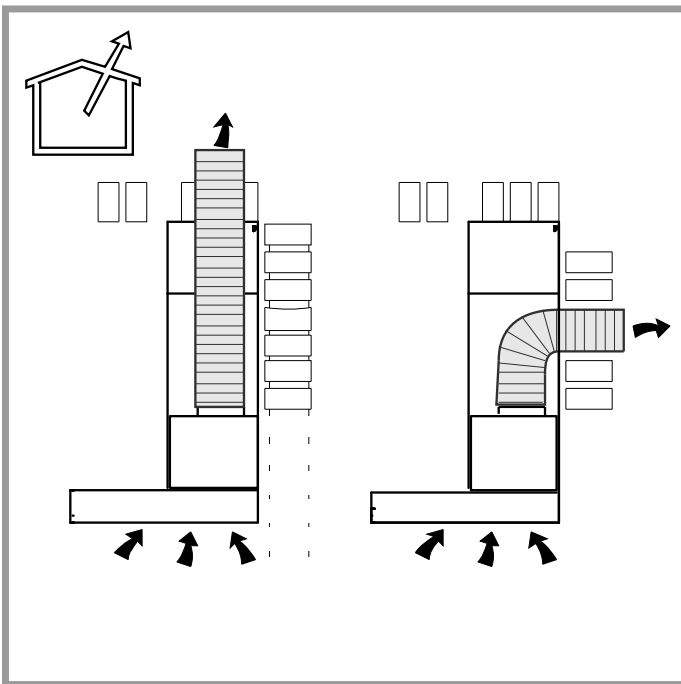
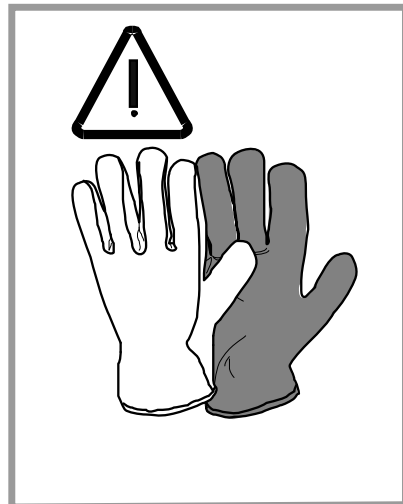
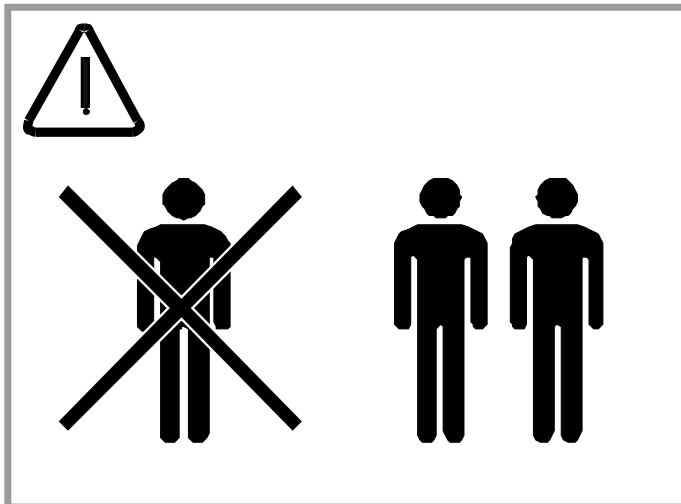
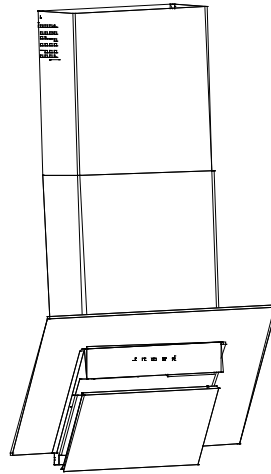
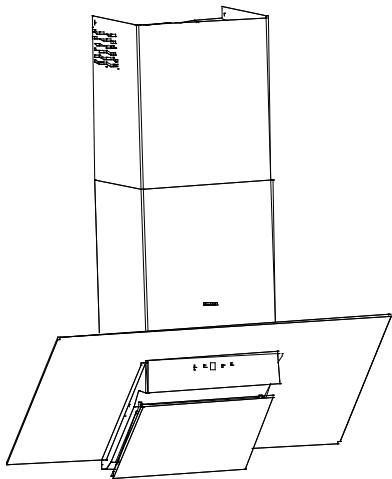
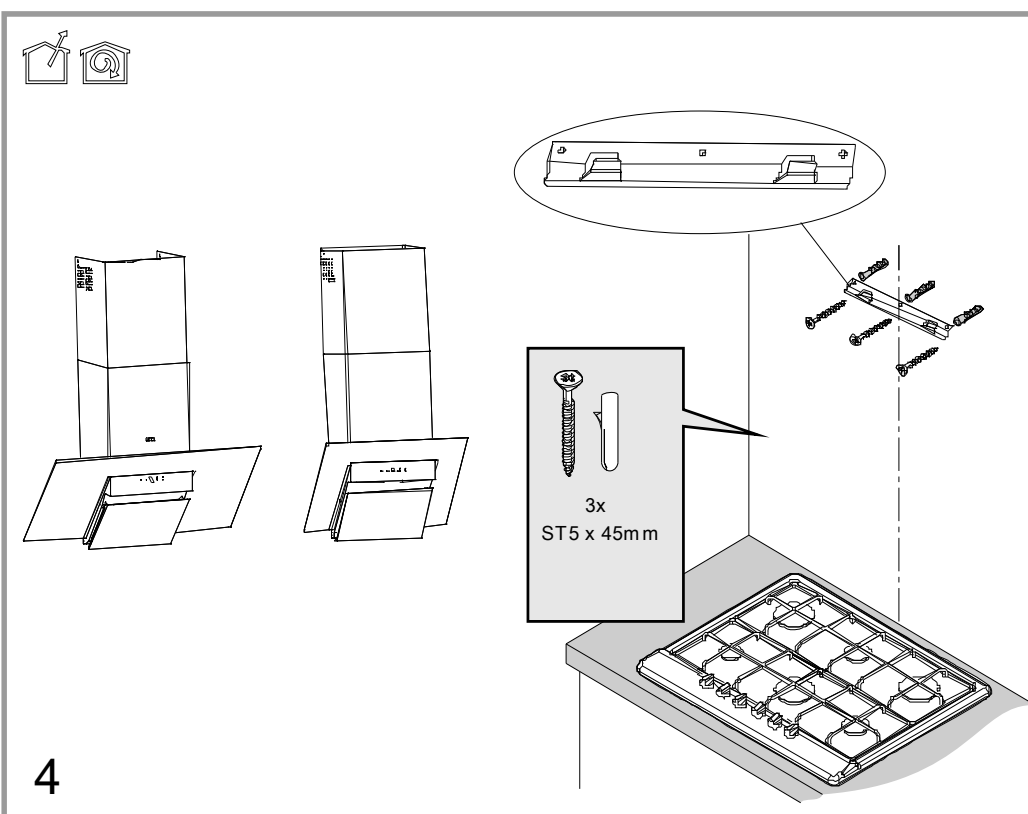
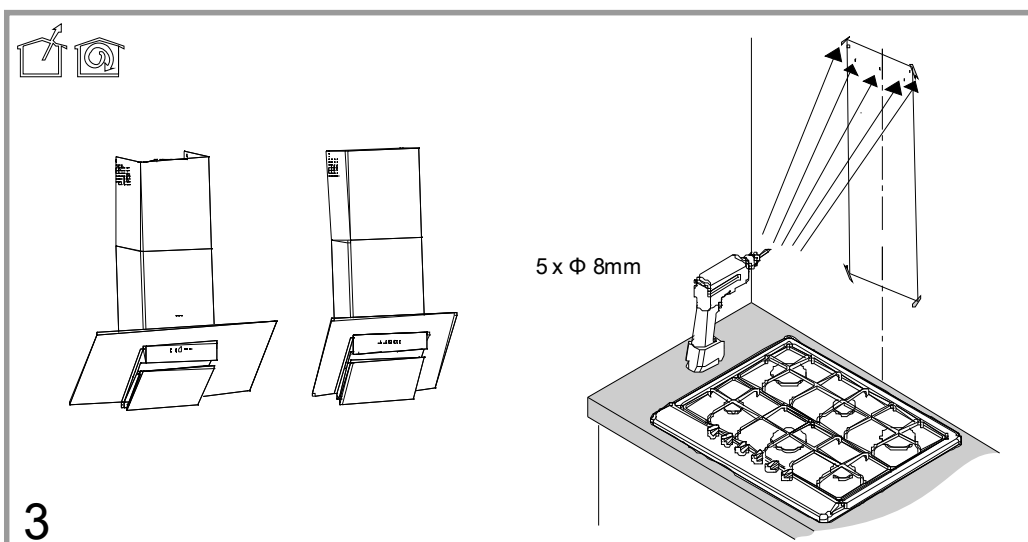
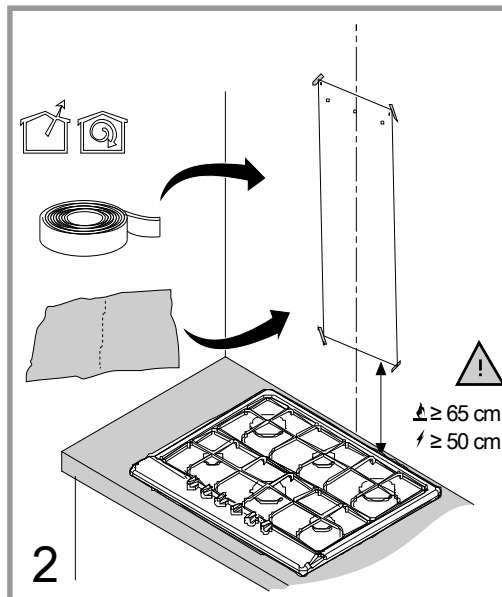
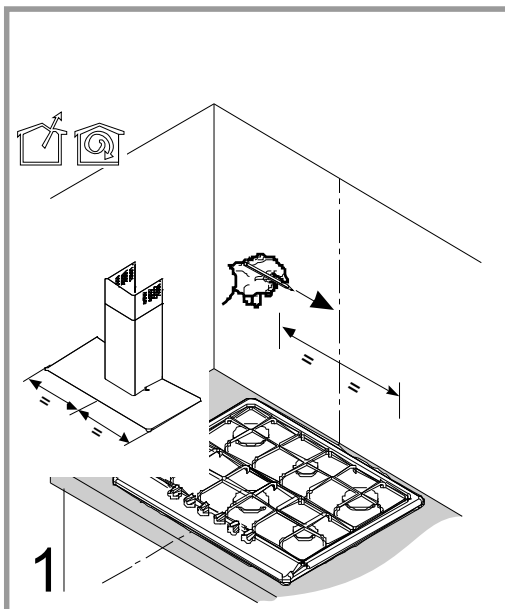
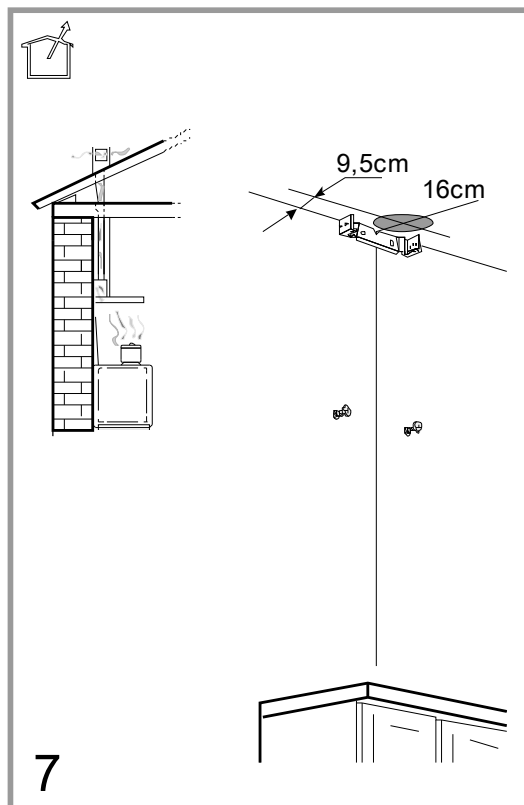
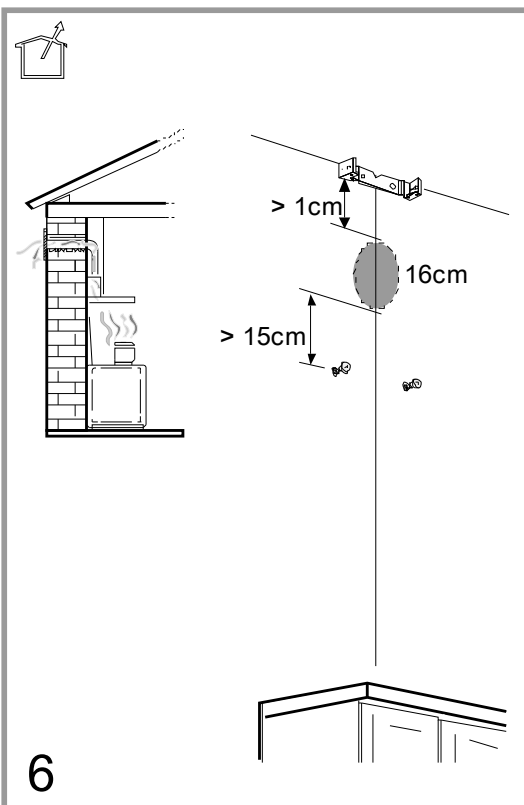
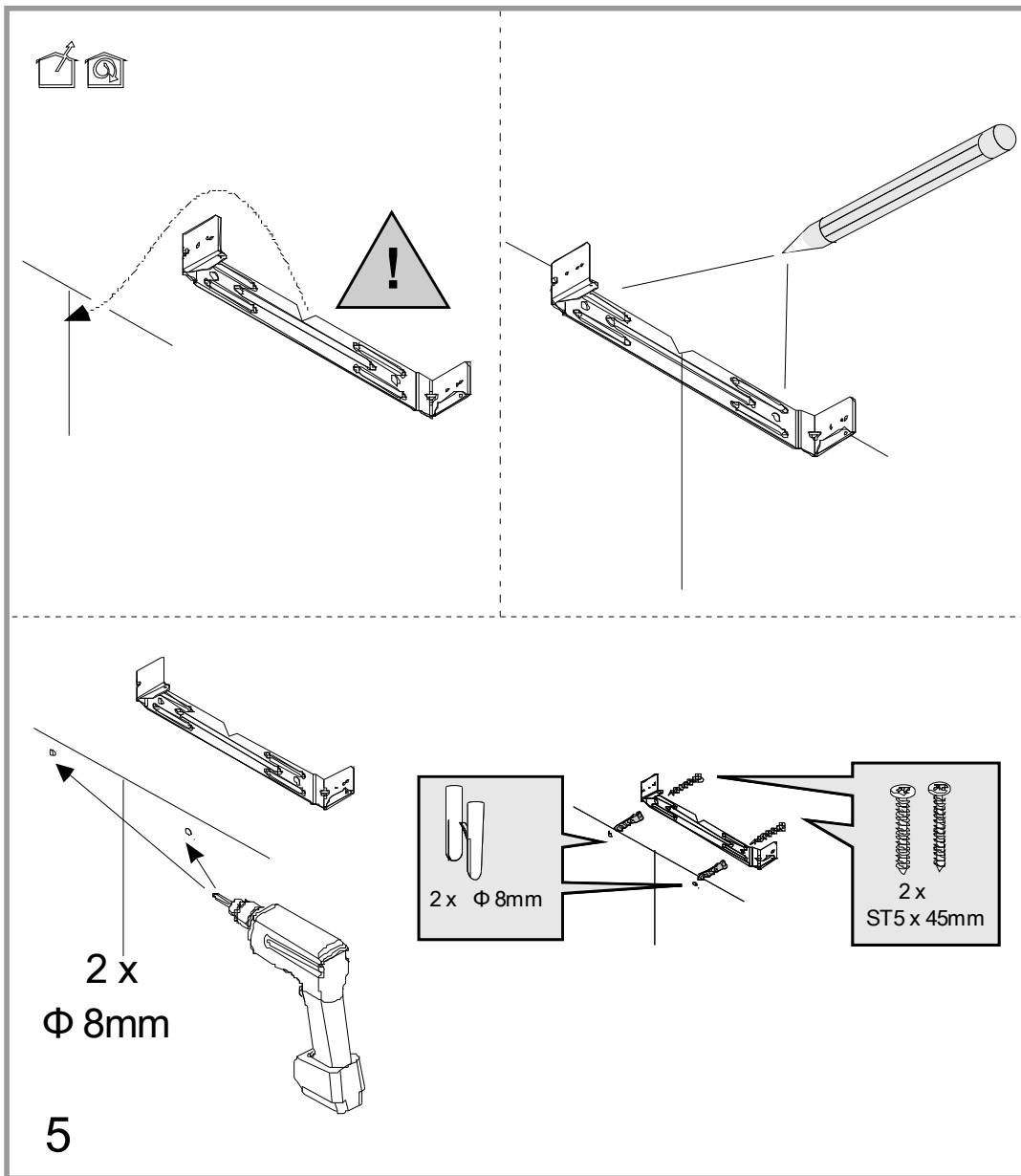
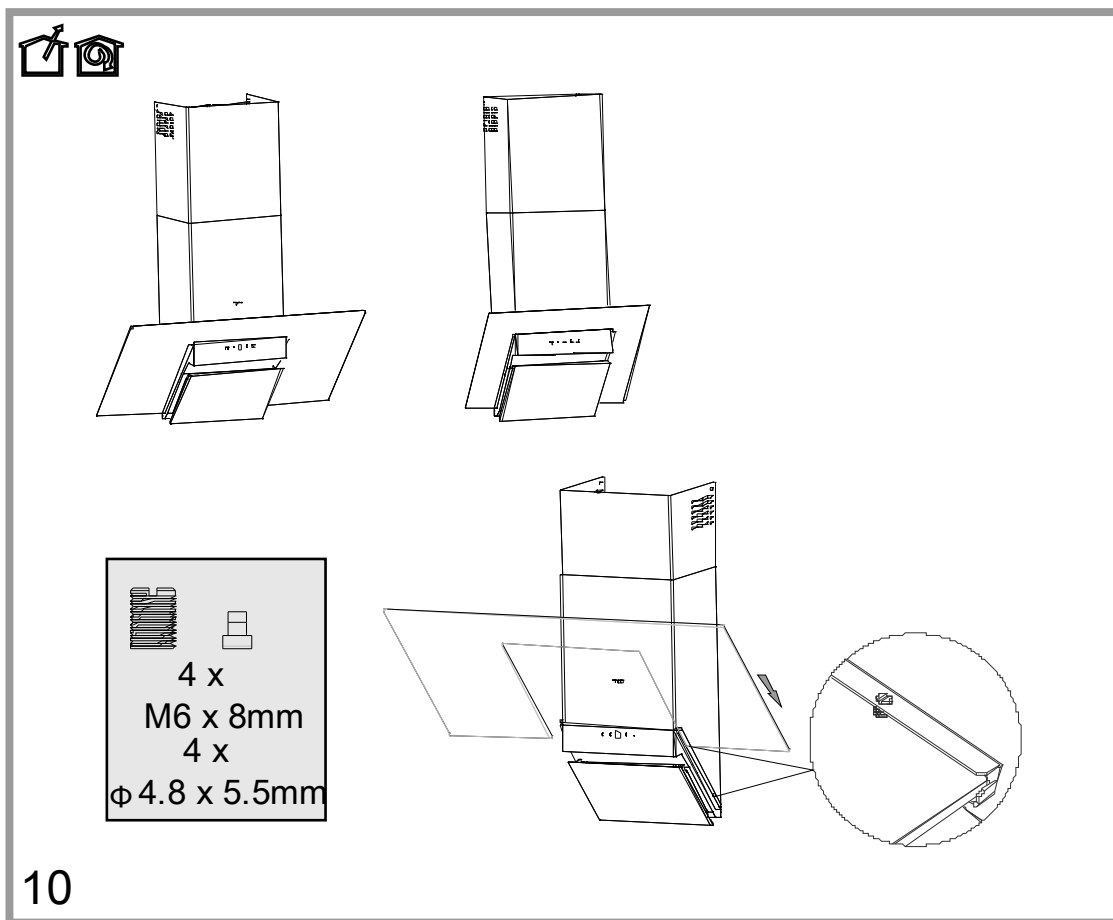
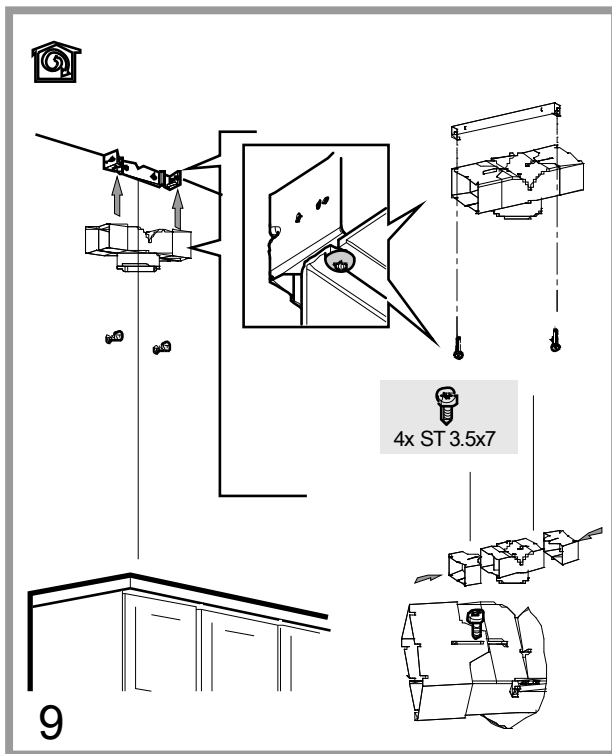
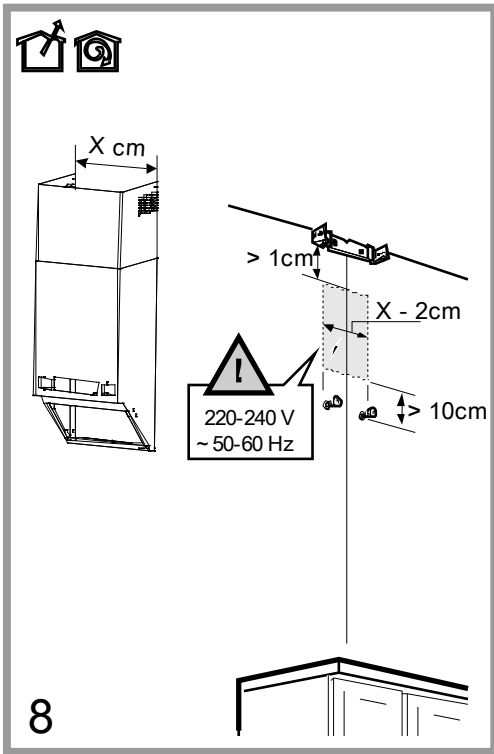


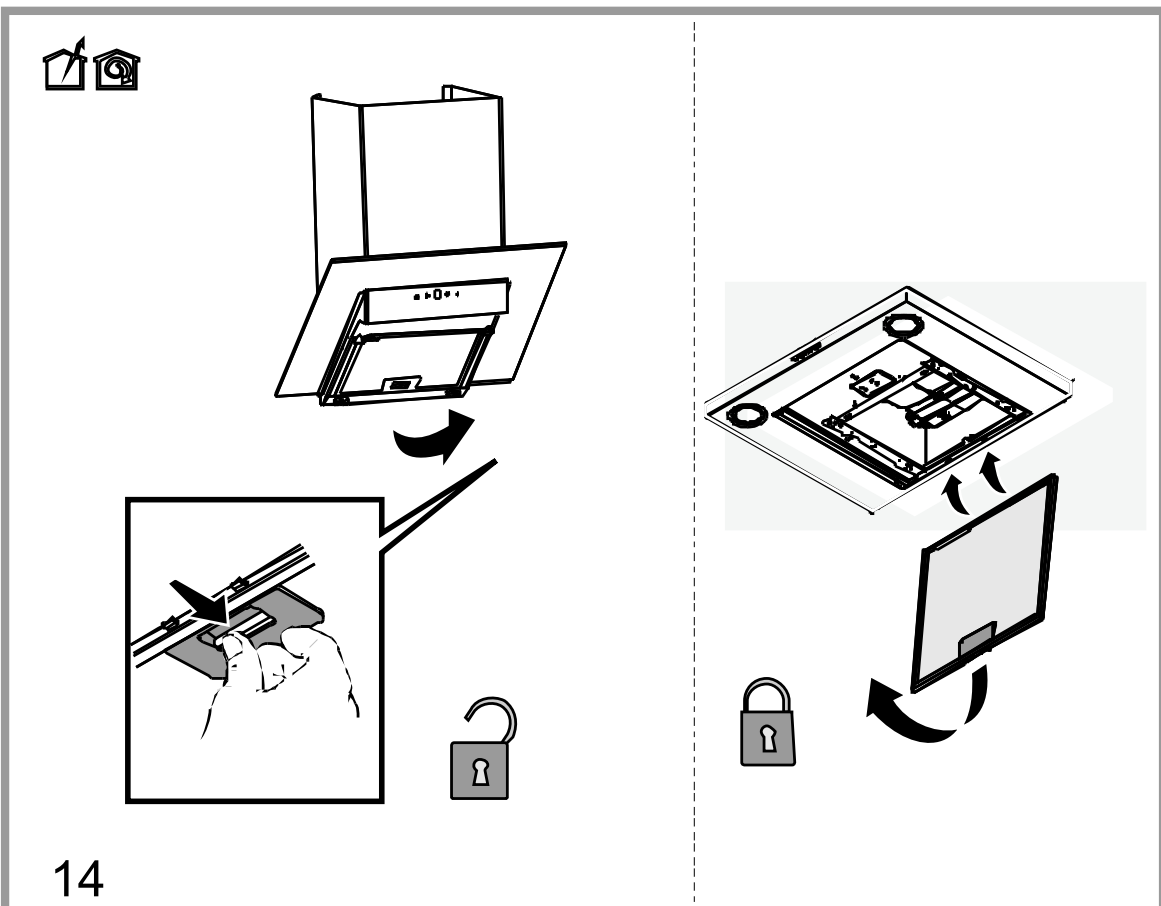
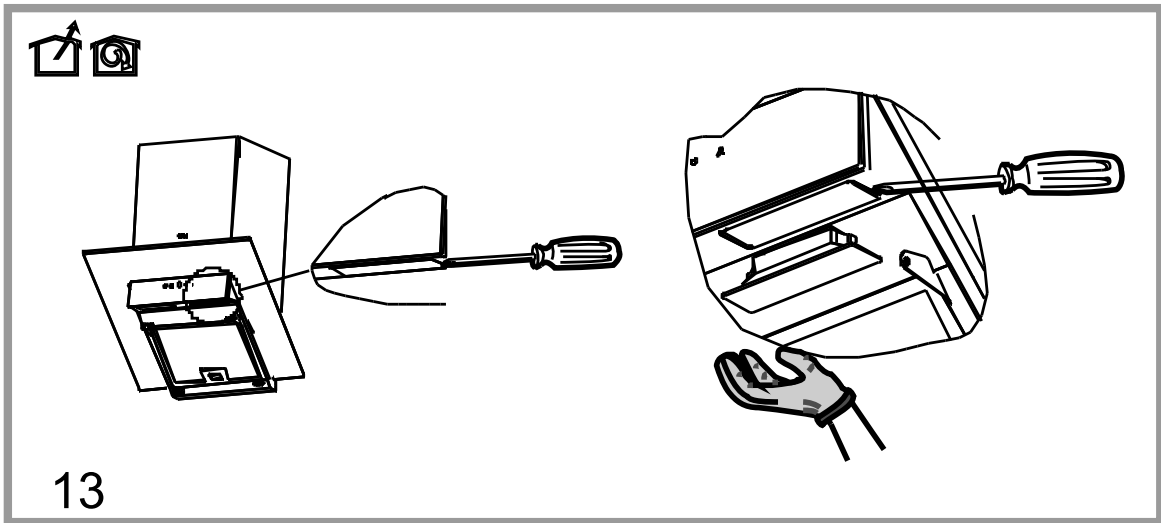
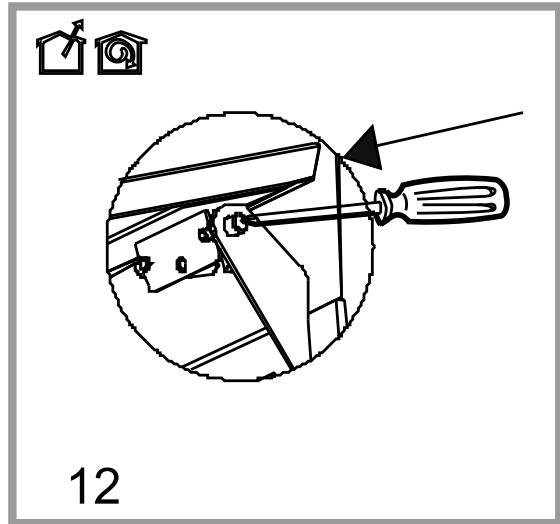
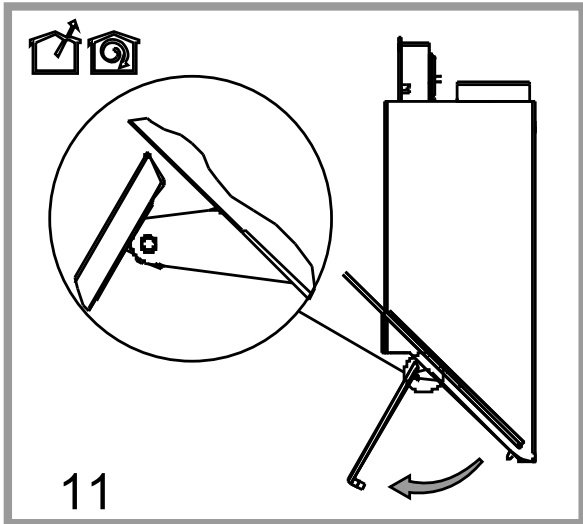
<b>ZH</b>	<b>安装使用说明</b>
<b>EN</b>	<b>Instruction on mounting and use</b>
<b>RU</b>	<b>Руководство по установке и эксплуатации</b>
<b>DE</b>	<b>Anleitung zur Montage und Nutzung</b>
<b>FR</b>	<b>Notice de montage et d'usage</b>
<b>SP</b>	<b>Instrucción sobre la instalación y el uso</b>
<b>IT</b>	<b>Istruzioni della installazione e dell'uso</b>
<b>UK</b>	<b>Посібник з установки та експлуатації</b>
<b>AR</b>	<b>دليل التركيب والاستعمال</b>

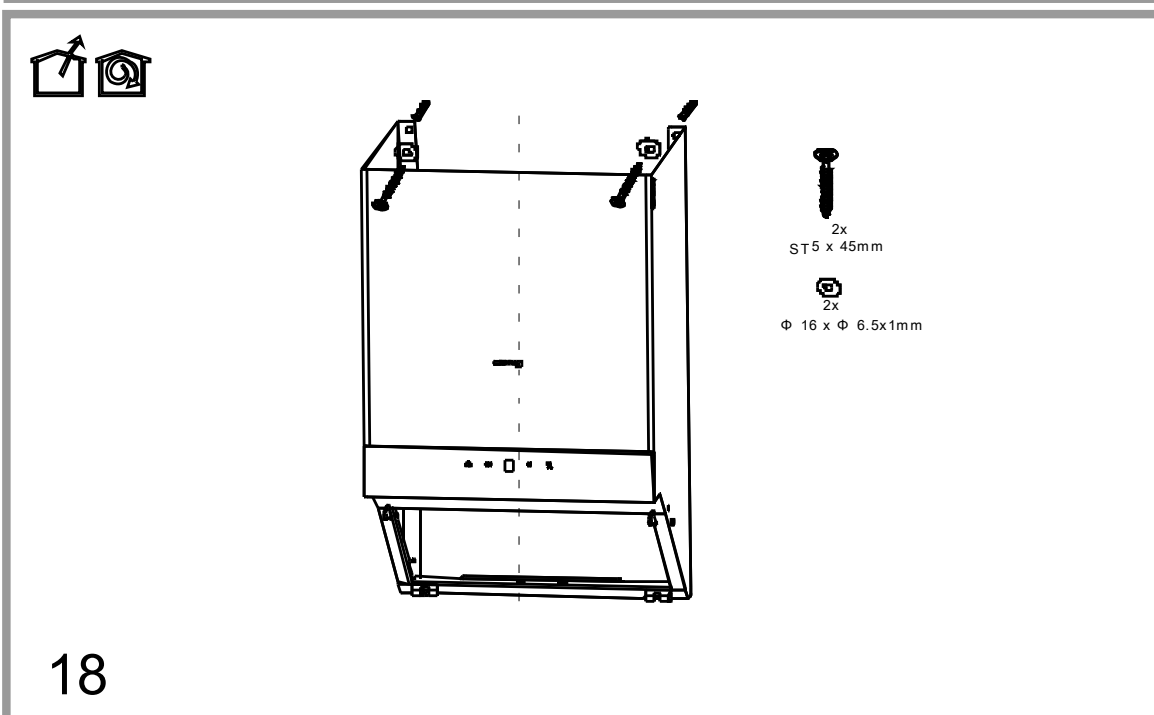
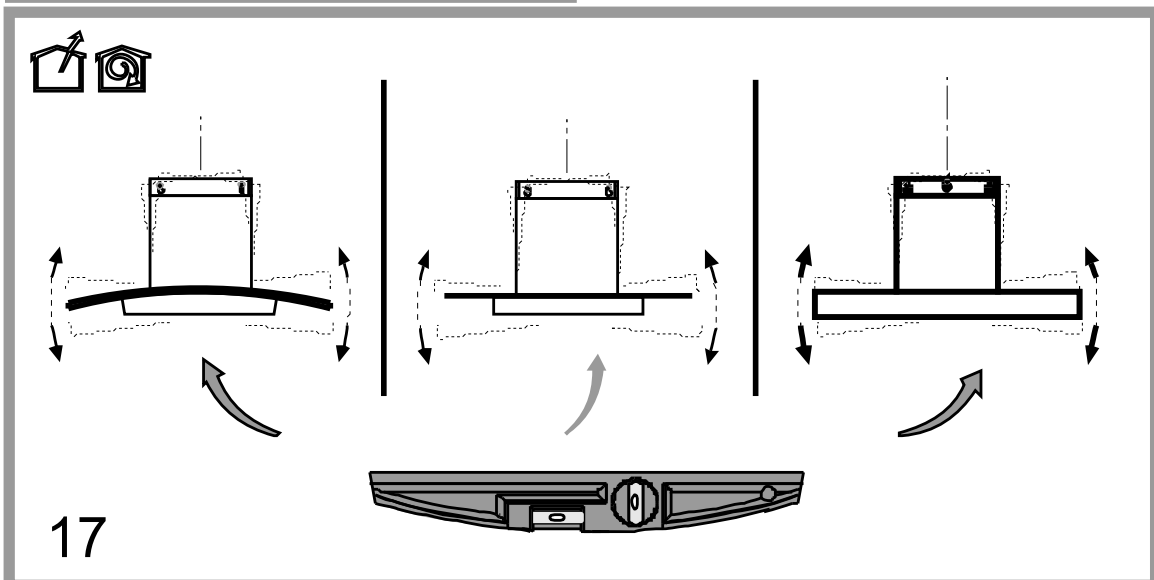
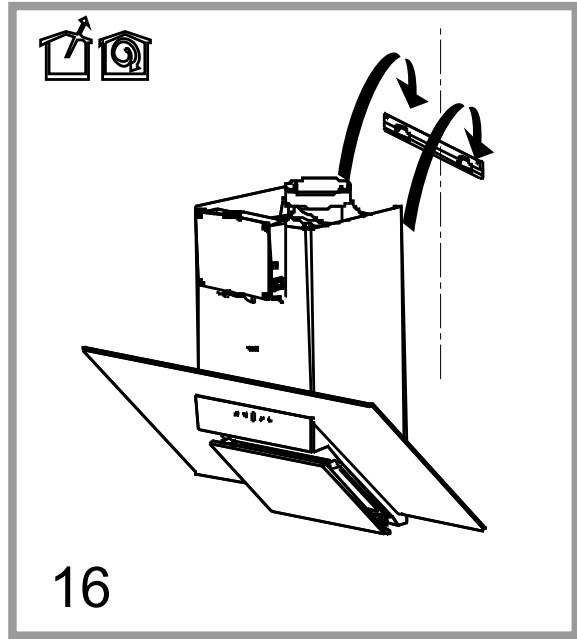
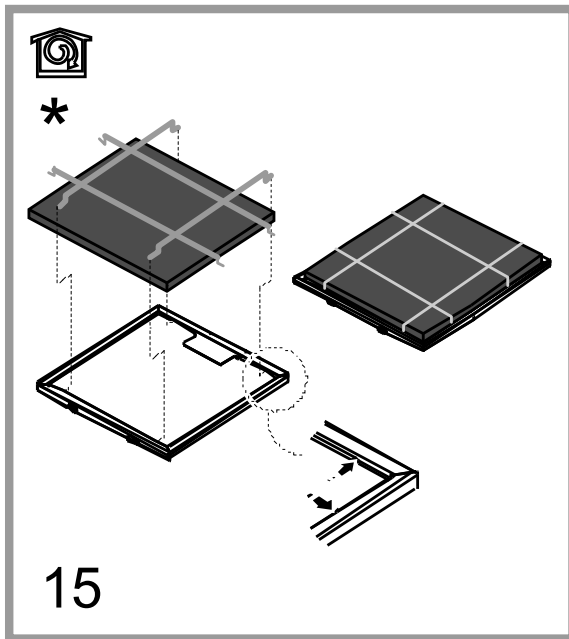


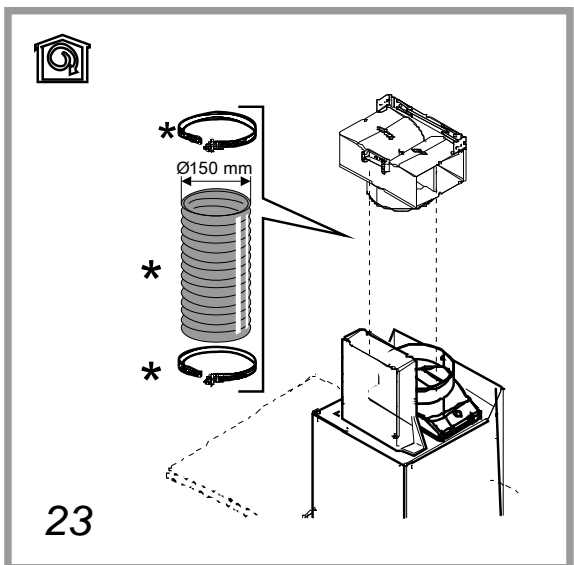
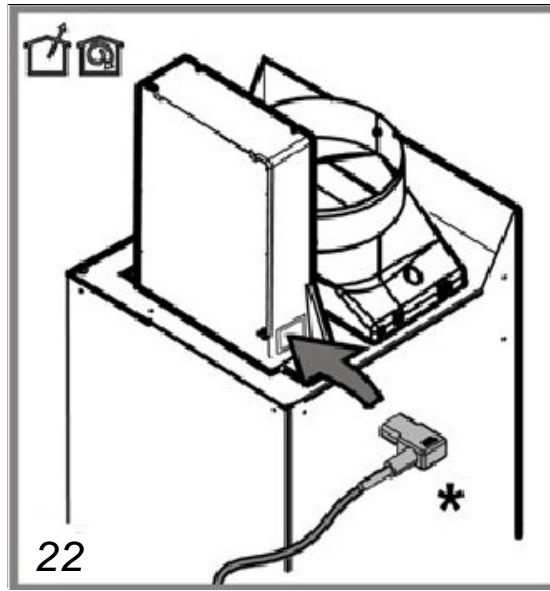
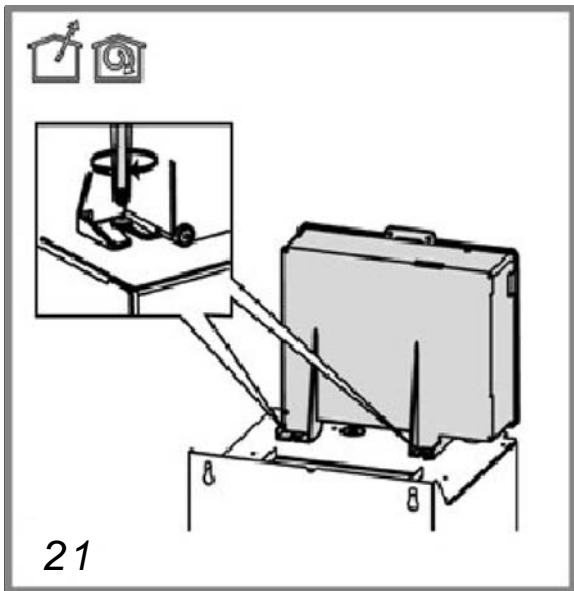
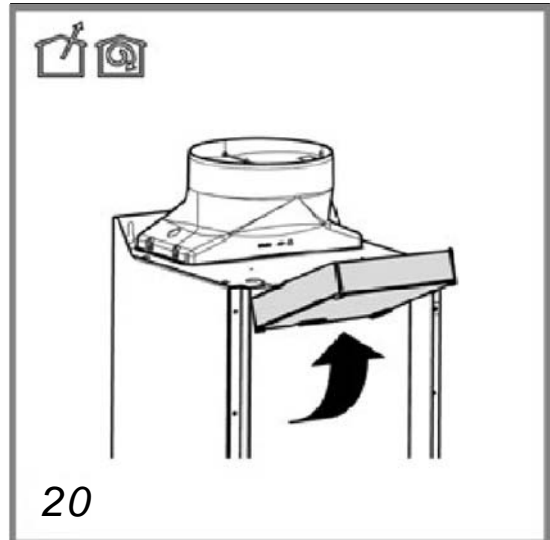
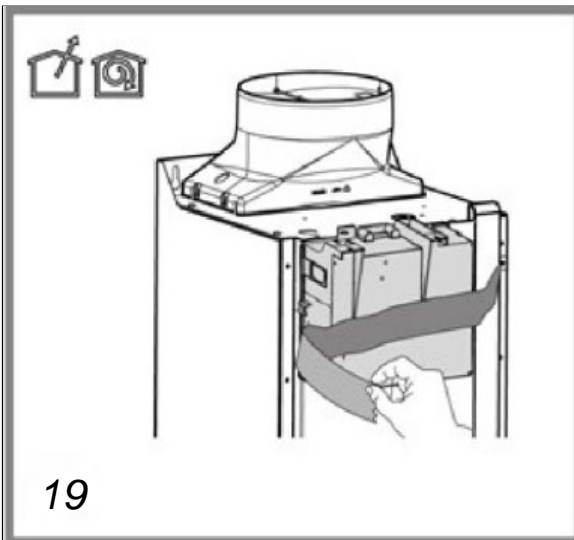




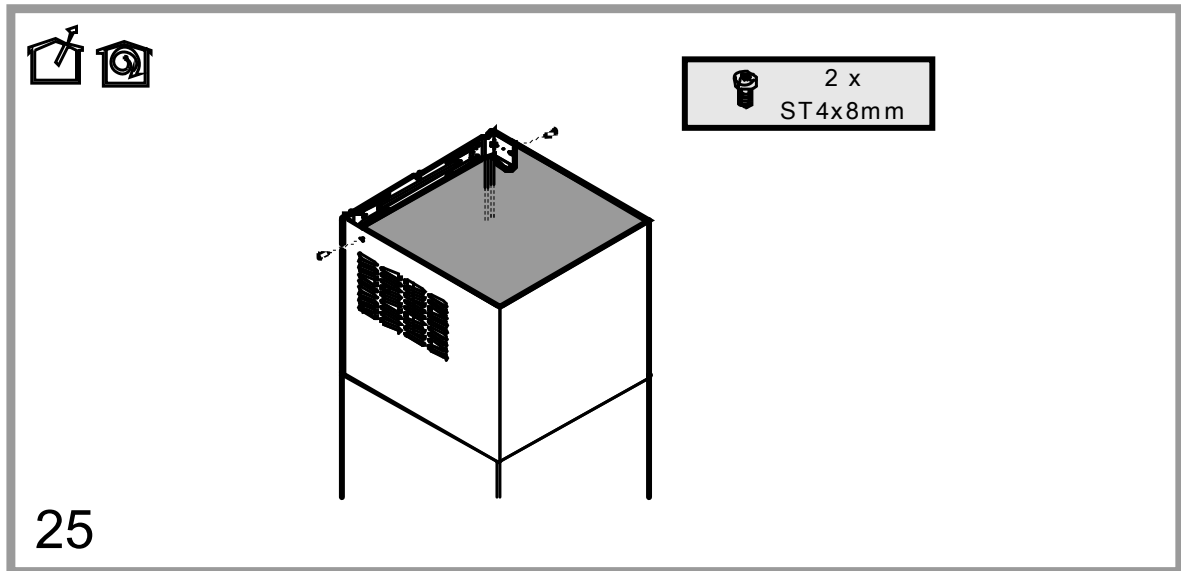
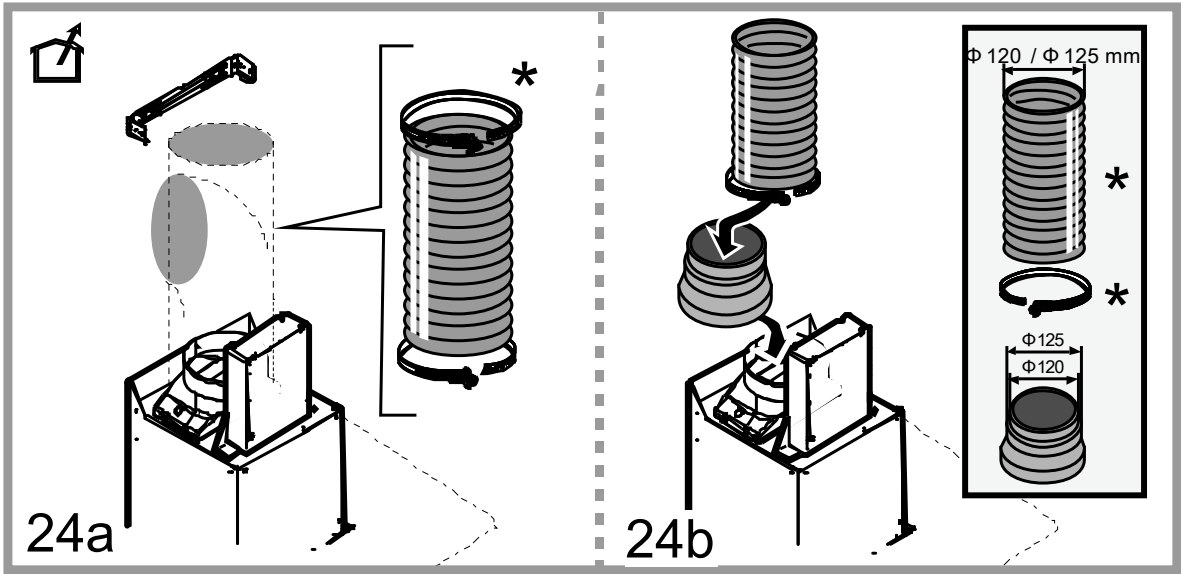












在使用本产品前，请仔细阅读本使用说明书。对于任何因安装或使用不当造成的人身或财产损失，制造商不承担任何责任。该产品设计仅限国内使用。

**产品若与图示不同，请以实物为准。任何与安装、使用、保养说明不符的特点描述，也请以实物为准。**

！请妥善保管好该使用说明书，以便今后查阅或转交给下一位产品使用者。

！为了确保您能正确、安全地使用本产品，请仔细阅读该产品说明书。

！请勿在本产品或排烟管上使用不匹配的电气或机械部件。

！请在安装前确认各零部件是否有破损。如有破损，请立即停止安装并联系经销商。

**注意：**凡带“(\*)”的元件为自选配件，部分产品自带。其他产品需另行购买。

## 警告

**警告！**在安装活动结束前请勿将产品与其他电器连接。

清洁或维修前，请拔下电源插头或与电源断开连接。

安装和维修时，请戴上防护手套，以防在擦拭过程中手指受伤。

在无人照顾的情况下，请勿让儿童或身体虚弱、神志不清以及缺乏经验的人员使用吸油烟机。

本产品主要为成人设计，请勿让儿童靠近。

本产品主要为成人设计，请勿让儿童随意触摸或玩耍。

未有效安装灶具前，请勿使用本产品。

除特别说明外，请勿将本品作为支撑面使用。

当油烟机与其他燃气燃油设备一起使用时，房间必须通风良好。

禁止使本产品与其他燃气器具共用一个烟道。

请勿在油烟机底下直接烘烤食物。

禁止炉火直接烘烤网板，易引发火灾。

煎炸食物时要避免食用油过热或引燃。

使用烹调设备时，靠近热源的烟机部件可能会变热。

烟气排放的相关技术和安全活动，应严格按照地方当局要求进行。

油烟机应定期清洗，包括内、外表面（每月至少一次）。


维修活动应严格按照说明书规定的方法进行，否则有起火危险。

不要使用照明灯安装有误的油烟机，以免引发触电危险。

凡因不遵守这些说明造成的问题、财产损失或火灾，制造商亦不承担任何责任。

本产品符合电子电气产品的废弃指令(WEEE)的欧洲方针 2002/96/EC 中的相关规定。在处理废旧产品时，应本着对环境对人体健康无害的原则进行有效处理。



凡带  标志的产品及相关文件，不可随意以生活垃圾的处理方式进行处理，而应依照电子电气产品的回收方式进行。所有废弃物必须按照当地的环境法规来进行处理。

其他事关产品正确处理或回收利用的问题，请咨询当地相关部门或销售网点。

## 使用说明

本吸油烟机是专为排气或过滤使用设计。



### 外排式

在这种情况下，可以将这种特殊的管道与烟机顶部的连接环连接起来，以便将烟气排放到室外。

**注意！**排气管为选配件，需另行购买。

排气管的直径必须与连接环一致。

将水平方向上的排气管略微倾斜(10°左右)，随之向上伸出房外，以便将烟气排出室外。

**注意！**如果烟机配有活性炭网，则应在安装前先移除。

将烟机与墙上当量孔径为排气口(转接口)大小的排放口相连。

若排放口尺寸过小，会降低管道与排放口的吸附力，从而会在管道插入排放口时产生大量的噪音。

但凡因此引发的问题，制造商概不负责。

！所用管道长度不得小于规定长度。

！所用管道最好无弯头(最大折弯角度:90度)。

！避免在管道横截面上做重大改变。

！所用管道内壁应足够光滑。

！管道材质应符合标准要求。



### 内循环式

这种情况需配活性炭网，可向零售商索取。

烟气中的油脂和气味经炭网吸附后通过外网罩排放到室内。

## 安装说明

电灶上烹调器具的支撑面到吸油烟机最低部位的最小距离应至少50厘米。与其他如燃气灶或混合气灶的最小距离应至少65厘米。

如果厨房的煤气烹调平面已标明与其吸油烟机的距离，应以此距离为准。

参照安装钻孔图在安装油烟机的墙面上相应的位置上用冲击电钻钻出直径为10mm深度为50mm的孔6只，埋设好膨胀管，用木螺钉将整机挂钩板和装饰罩挂钩固定到墙壁上，安装完之后请检查整机挂钩板和装饰罩固定板是否水平。(图1-5)

本产品可以适用于6个炉头的灶具。

## 不锈钢网板清洗

图 12

在拆卸油网，双手握住网板底部往外拉，使固定油网的卡扣机构脱离向下转大约80度，此时网板被限位，然后用十字螺丝刀或类似的工具轻轻地推动弹簧锁扣，即可取下网板；日常清洁过程中可用软的纱布、中性或弱碱性的清洁剂、温水擦拭外网板的外表面。



## 电气连接

主电源应与烟机线路上额定值相符。如果烟机配有插头，则在安装完成后，按照现有的电流调节图将其与插座连接起来并将其固定在可触及的位置上。如果未配插头(直接连接到电源上)或者安装完成后未将其固定在可触及的位置上，则可按照安装要求使用符合标准要求的双极开关，以确保电流在超过 III 级时可与主电源完全断开。

**警告！**请在重新连接主电源和烟机电路前以及检查能否高效运作前，仔细检查电源线连接是否正确。

本产品配有专门的电源线：若电源线损坏，为避免危险，必须联系维修机构的专业人员进行更换。

## 安装前须知

### 安装前须知

检查产品尺寸是否符合安装位置的要求。

如配有活性炭网(\*)，请先将其移去(详见相关段落)。活性炭网仅限使用过滤功能时使用。

检查烟机内部是否存有其他物件(出于对运输原因的考虑，如螺钉包(\*)、保修卡(\*)等等)。如有，请先将其拿出妥为保管。

如果可能的话，请先不要急于连接，而是先将独立式或侧吸式的产品从橱柜开孔处移到其他地方，以便与墙面或天花板相连。或者在台面/炉灶面/烟机上套一个厚的防护罩，以防碎片掉落损坏台面/炉灶面/烟机。挑选一块平整的地方进行产品组装，并在上面盖一个防护罩，把所有有沿的烟机部件和硬件放在里面。

此外，检查一下烟机的安装位置附近(或者是烟机可触及的位置)是否有插座以及插座能否使烟气排放装置与外界相连。

完成所有必要的砌体工作(如安装插座和/或排气管孔)。

然后在墙壁/天花板上使用膨胀堵塞，以起到保护烟机的目的。但是，其材质需要由专业人员来定夺，以确保墙壁/天花板有足够的强度以承担吸油烟机的重量。

## 操作说明

可使用高速来吸附厨房内的油烟。建议在烹调前先将烟机开启5分钟直至烹饪结束，随后再开15分钟以确保油烟得到完全吸附。

## 功能显示界面



a. 电机高速键-将电机速度从1速加至3速

b. 电机低速键-减小电机的速度。

c. 电源键-用来开启电源和关闭。

d. 照明灯键-用来开启和关闭照明灯键，灯键能独立控制。

e. 延时键-延时功能开启时会同时启动电机，三分钟后关闭所有功能。

## 功能显示界面



#### F1 - 定时功能开启/关闭 (自动切断/关闭)

定时功能启动时会同时启动发动机 (在任意速度处)；发动机在运行 5 分钟后将会自动关闭。

在定时期间，显示屏会以分钟 (闪烁状态) 的形式显示出剩余工作时间。如需终止定时功能，请提前 5 分钟再次按下 F1 键。注意：手动关闭发动机时 (使用 F3 键)，不会解除定时功能。

#### F2 - 照明灯开启/关闭

可用来开启和关闭照明灯。

#### F3 - 减小发动机速度/关闭

减小发动机的速度直至完全关闭。

#### F4 - 开启/增加发动机速度

可以启动发动机并将速度从 1 速增加至 3 速。

#### D - 显示屏

可显示出：

- 电机的转速情况
- 定时功能下得剩余工作时间

#### 保养说明

**注意！**在维修之前，请确认您的吸油烟机已经关机并与电源断开连接。

如果产品插头仍与插座相连，则需先将插头拔掉。

#### 清洁说明

吸油烟机应定期自行或请专人来清洗 (至少应与滤油网保养同时进行)。

清洁时，请使用沾有中性清洁剂的湿布来清洗。请勿使用砂布。**禁止使用酒精！**

**警告：**如果不按照说明书规定的方法清洗吸油烟机有起火危险。

因此，我们建议您严格按照说明书规定的方法进行清洗。

对于任何因保养不当或违背安全性建议而造成的电机损坏或火灾损失，制造商不承担任何责任。

#### 滤油网

**用于吸附油烟中的油脂粒子。**

滤油网需每月用非侵蚀性的清洁剂清洗一次 (或者过滤器饱和指示系统显示有需求时，如果产品上有这种装置)。可以直接用手清洗，也可以使用洗碗机，但前提是必须将洗碗机设定在低温低循环的工作状态下。

使用洗碗机进行清洗会造成滤油网的轻微褪色，不会对滤油网的过滤效果造成任何影响。

拆卸滤油网时，请先拨动网板上的弹簧释放把手，然后再进行滤油网的拆卸工作。

#### 活性炭网

##### 图14

**可用来吸附烹饪过程中产生的异味。**

该炭网可每隔两月用加入适当清洁剂的热热水进行清洗，也可以使用洗碗机，但前提是必须将洗碗机设定在 65°C 的工作状态下 (如若使用洗碗机，需选择全循环功能并把餐具清理出来)。

在不损坏炭网的前提下，将炭网上多余的水分沥去，随后将其放在烤箱里烘干。将烤箱温度设置为 100°C，时间为 10 分钟。每隔三年或布块出现破损时需更换一次垫子。

##### • 安装方法

将炭网装在网板的背面并将 4 个顶杆固定好。

**注意！**顶杆装在炭网袋里，而非烟机上。

- 请按相反的顺序重复上述步骤来取下炭网。

#### 更换照明灯

在更换之前，请确认您的吸油烟机已经关机并与电源断开连接。

**警告！**在更换灯泡前，请先确认其是否已经完全冷却。

请换一个相同型号的灯泡，灯泡的型号可以在标签上或灯泡附近的吸油烟机表面找到。

1. 用小一字螺丝刀插入等圈内，轻微用力往外撬，拔出接插件插头即可取下灯。

2. 将损坏的灯泡取下来并更换上相同规格的 LED 灯。LED 灯的规格为 12V, 1W (最大)

请安装包装说明进行操作，不要赤手触摸新灯泡。

3. 将灯罩重新安装好 (有“啪”的关闭声)

如果照明灯不亮，在专业人士前来维修前请先检查照明灯安装是否正确。

如果照明灯不亮，在专业人士前来维修前请先检查照明灯安装是否正确。

#### 带有 LED 灯的型号

此类烟机配备以 LED 技术为基础的照明系统。

LED 能够确保最佳照明状态且持续工作时间为传统照明灯 10 倍，节约九成电能。

如需更换，请联系技术服务。

## EN - Instruction on mounting and use

**Closely follow the instructions set out in this manual.** All responsibility, for any eventual inconveniences, damages or fires caused by not complying with the instructions in this manual, is declined. The hood is conceived for the suction of cooking fumes and steam and is destined only for domestic use.

**The hood can look different to that illustrated in the drawings in this booklet. The instructions for use, maintenance and installation, however, remain the same.**

- ! It is important to conserve this booklet for consultation at any moment. In the case of sale, cession or move, make sure it is together with the product.
- ! Read the instructions carefully: there is important information about installation, use and safety.
- ! Do not carry out electrical or mechanical variations on the product or on the discharge conduits.
- ! Before proceeding with the installation of the appliance verify that there are no damaged all components. Otherwise contact your dealer and do not proceed with the installation.

**Note:** the elements marked with the symbol “(\*)” are optional accessories supplied only with some models or elements to purchase, not supplied.



### Caution

**WARNING!** Do not connect the appliance to the mains until the installation is fully complete.

Before any cleaning or maintenance operation, disconnect hood from the mains by removing the plug or disconnecting the mains electrical supply. Always wear work gloves for all installation and maintenance operations.

The appliance is not intended for use by children or persons with impaired physical, sensorial or mental faculties, or if lacking in experience or knowledge, unless they are under supervision or have been trained in the use of the appliance by a person responsible for their safety.

This appliance is designed to be operated by adults, children should be monitored to ensure that they do not play with the appliance.

This appliance is designed to be operated by adults. Children should not be allowed to tamper with the controls or play with the appliance.

Never use the hood without effectively mounted grating!

The hood must NEVER be used as a support surface unless specifically indicated.

The premises where the appliance is installed must be sufficiently ventilated, when the kitchen hood is used together with other gas combustion devices or other fuels.

The ducting system for this appliance must not be connected to any existing ventilation system which is being used for any other purpose such as discharging exhaust fumes from appliances burning gas or other fuels.

The flaming of foods beneath the hood itself is severely prohibited.

The use of exposed flames is detrimental to the filters and may cause a fire risk, and must therefore be avoided in all circumstances.

Any frying must be done with care in order to make sure that the oil does not overheat and ignite.

Accessible parts of the hood may become hot when used with cooking appliance.

With regards to the technical and safety measures to be adopted for fume discharging it is important to closely follow the regulations provided by the local authorities.

The hood must be regularly cleaned on both the inside and outside (AT LEAST ONCE A MONTH).


This must be completed in accordance with the maintenance instructions provided in this manual. Failure to follow the instructions provided in this user guide regarding the cleaning of the hood and filters will lead to the risk of fires.

Do not use or leave the hood without the lamp correctly mounted due to the possible risk of electric shocks.

We will not accept any responsibility for any faults, damage or fires caused to the appliance as a result of the non-observance of the instructions included in this manual.

This appliance is marked according to the European directive 2002/96/EC on Waste Electrical and Electronic Equipment (WEEE). By ensuring this product is disposed of correctly, you will help prevent potential negative consequences for the environment and human health, which could otherwise be caused by inappropriate waste handling of this product.



The symbol  on the product, or on the documents accompanying the product, indicates that this appliance may not be treated as household waste. Instead it should be taken to the appropriate collection point for the recycling of electrical and electronic equipment. Disposal must be carried out in accordance with local environmental regulations for waste disposal. For further detailed information regarding the process, collection and recycling of this product, please contact the appropriate department of

your local authorities or the local department for household waste or the shop where you purchased this product.

### Additional Installation Specifications:

Use only the fixing screws supplied with the product for installation or, if not supplied, purchase the correct screws type.

Use the correct length for the screws which are identified in the Installation Guide.

In case of doubt, consult an authorised service assistance centre or similar qualified person.

**WARNING!** Failure to install the screws or fixing device in accordance with these instructions may result in electrical hazards.

### Use

The hood is designed to be used either for exhausting or filter version.



### Ducting version

In this case the fumes are conveyed outside of the building by means of a special pipe connected with the connection ring located on top of the hood.

**Attention!** The exhausting pipe is not supplied and must be purchased apart.

Diameter of the exhausting pipe must be equal to that of the connection ring.

In the horizontal runs the exhausting pipe must be slightly slanted (about 10°) and directed upwards to vent the air easily from the room to the outside.

Attention! If the hood is supplied with active charcoal filter, then it must be removed.

Connect the hood and discharge holes on the walls with a diameter equivalent to the air outlet (connection flange).

Using the tubes and discharge holes on walls with smaller dimensions will cause a diminution of the suction performance and a drastic increase in noise.

Any responsibility in the matter is therefore declined.

! Use a duct of the minimum indispensable length.

! Use a duct with as few elbows as possible (maximum elbow angle: 90°).

! Avoid drastic changes in the duct cross-section.

! Use a duct as smooth as possible inside.

! The duct must be made of certified material.



### Filter version

One active charcoal filter is needed for this and can be obtained from your usual retailer.

The filter removes the grease and smells from the extracted air before sending it back into the room through the upper outlet grid.

### Installation

The minimum distance between the supporting surface for the cooking equipment on the hob and the lowest part of the range hood must be not less than 50cm from electric cookers and 65cm from gas or mixed cookers.

If the instructions for installation for the gas hob specify a greater distance, this must be adhered to.

Using an electric impact drill to bore 6 holes with 10mm-diameter and 50mm depth on appropriate locations on mounting wall according to drill template. Burying expand nails and fixing hook plate and chimney hook on the wall with wood screw. Check whether hook plate and chimney fixed plate are uneven after finishing installation (Fig. 1-5).

The range hood is intended to be installed over a hob having 6 heating elements.

### Clean Stainless Steel Panel

Fig.12

For removing grease filter, pulling out panel bottom to have the fixed clip detached and rotate it downwards for about 80 degree. The panel is limited on this occasion. Then using a cross screwdriver or equivalent tools, carefully push spring lock to remove the panel. Using soft gauze with neutral or alkaline detergent and warm water to wipe panel outer surface.



### Electrical connection

The mains power supply must correspond to the rating indicated on the

plate situated inside the hood. If provided with a plug connect the hood to a socket in compliance with current regulations and positioned in an accessible area, after installation. If it not fitted with a plug (direct mains connection) or if the plug is not located in an accessible area, after installation, apply a double pole switch in accordance with standards which assures the complete disconnection of the mains under conditions relating to over-current category III, in accordance with installation instructions.

**Warning!** Before re-connecting the hood circuit to the mains supply and checking the efficient function, always check that the mains cable is correctly assembled.

The hood is provided with a special power cable ; if the cable is damaged, request a new one from Technical Service.

## Mounting

### Before beginning installation:

- Check that the product purchased is of a suitable size for the chosen installation area.
- Remove the charcoal (\*) filter/s if supplied (see also relative paragraph). This/these is/are to be mounted only if you want to use the hood in the filtering version.
- Check (for transport reasons) that there is no other supplied material inside the hood (e.g. packets with screws (\*), guarantees (\*), etc.), eventually removing them and keeping them.
- If possible, disconnect and move freestanding or slide-in range from cabinet opening to provide easier access to rear wall/ceiling. Otherwise put a thick, protective covering over countertop, cooktop or range to protect from damage and debris. Select a flat surface for assembling the unit. Cover that surface with a protective covering and place all canopy hood parts and hardware in it.
- In addition check whether near the installation area of the hood (in the area accessible also with the hood mounted) an electric socket is available and it is possible to connect a fumes discharge device to the outside (only suction version).
- Carry out all the masonry work necessary (e.g. installation of an electric socket and/or a hole for the passage of the discharge tube).

Expansion wall plugs are provided to secure the hood to most types of walls/ceilings. However, a qualified technician must verify suitability of the materials in accordance with the type of wall/ceiling. The wall/ceiling must be strong enough to take the weight of the hood. **Do not tile, grout or silicone this appliance to the wall. Surface mounting only.**

## Operation

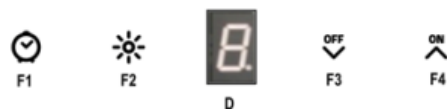
Use the high suction speed in cases of concentrated kitchen vapours. It is recommended that the cooker hood suction is switched on for 5 minutes prior to cooking and to leave in operation during cooking and for another 15 minutes approximately after terminating cooking.

### Functioning - Model with display



- High Speed-Increase motor speed from 1 ° to 3 °
- Low Speed-Decrease motor speed.
- Power-Turn on and off power.
- Light-Allow turning on and off lights. Enable control separately.
- Time Delay-Enable the startup of the motor when turning on time delay function and shut off all functions 3 minutes later.

### Functioning - Model with display



#### F1 – ON/OFF Timer (Automatic Shut-off/Off)

The Timer function is activated with the engine running (at any speed); after 5 minutes, the engine shuts down automatically. During the timing phase, the display (D) shows the remaining working time, in minutes (flashing). To stop the timer function, before these 5 minutes, press again the F1 key. Note: By turning off the engine manually (via F3), the timer function is deactivated.

#### F2 - ON / OFF Lights

Allows turning on and off lights.

#### F3 – Engine Speed Decrease / OFF

Decreases the speed of the engine, until it shuts off.

#### F4 - ON / Engine Speed Increase

Enables the startup of the engine and the speed increase, from 1 ° to 3 °.

## D - Display

Allows the viewing of:

- the motor speed status
- the remaining time to Automatic Shut-off, when the Timer function is activated

## Maintenance

**ATTENTION!** Before performing any maintenance operation, isolate the hood from the electrical supply by switching off at the connector and removing the connector fuse.

Or if the appliance has been connected through a plug and socket, then the plug must be removed from the socket.

## Cleaning

The cooker hood should be cleaned regularly (at least with the same frequency with which you carry out maintenance of the fat filters) internally and externally. Clean using the cloth dampened with neutral liquid detergent. Do not use abrasive products. **DO NOT USE ALCOHOL!**

**WARNING:** Failure to carry out the basic cleaning recommendations of the cooker hood and replacement of the filters may cause fire risks.

Therefore, we recommend observing these instructions.

The manufacturer declines all responsibility for any damage to the motor or any fire damage linked to inappropriate maintenance or failure to observe the above safety recommendations.

## Grease filter

### Traps cooking grease particles.

This must be cleaned once a month (or when the filter saturation indication system – if envisaged on the model in possession – indicates this necessity) using non aggressive detergents, either by hand or in the dishwasher, which must be set to a low temperature and a short cycle.

When washed in a dishwasher, the grease filter may discolour slightly, but this does not affect its filtering capacity.

To remove the grease filter, pull the spring release handle.

## Charcoal filter (filter version only)

### Fig. 14

#### It absorbs unpleasant odours caused by cooking.

The charcoal filter can be washed once every two months using hot water and a suitable detergent, or in a dishwasher at 65°C (if the dishwasher is used, select the full cycle function and leave dishes out).

Eliminate excess water without damaging the filter, then put it in the oven for 10 minutes at 100° C to dry completely. Replace the mattress every 3 years and when the cloth is damaged.

#### • Montage

Install the carbon filter on the back of the grease filter and fix with 4 rods.

**Attention!** The rods are included in the carbon filter packing and not on the hood.

- To dismantle the filter act in the reverse manner.

## Replacing lamps

Disconnect the hood from the electricity.

**Warning!** Prior to touching the light bulbs ensure they are cooled down.

Replace the old light bulb with the one of the same type as specified in the feature label or near the light lamp on the hood.

1. Using a small flat head screwdriver or equivalent tool, carefully pry outwards and pull out connector plug.
2. Remove the damaged light and replace with a new 12 Volt, 1 Watt (Maximum) LED light made with same specification. Follow package directions and do not touch new light with bare hands.
3. Reinstall the light cover. (it will snap shut).

If the lights do not work, make sure that the lamps are fitted properly into their housings before you call for technical assistance.

## Model with LED light

The hood is equipped with a lighting system based on LED technology.

The LEDs guarantee an optimum lighting, a duration up to 10 times as long as the traditional lamps and allow to save 90% electrical energy.

For replacement, contact the technical service.

**Перед началом использования данного продукта, внимательно прочитайте данное руководство по эксплуатации.** Изготовитель не несет никакой ответственности при нанесении материального или физического ущерба в процессе неправильной установки или эксплуатации.

**В случае несоответствия продукта его графическому изображению, реальная вещь является стандартом. В случае несоответствия описания особенностей установки, эксплуатации продукта, ухода за продуктом с реальной вещью, реальная вещь также является стандартом.**

! Храните данное руководство по эксплуатации надлежащим образом, чтобы, в случае необходимости, ознакомиться с его содержанием или же передать его следующему пользователю данного продукта!

! Для обеспечения правильного и безопасного применения данного продукта, внимательно прочтите его руководство по эксплуатации!

! Не применяйте к данному продукту или к трубе отвода дыма несоответствующие электрические или механические детали! Перед установкой убедитесь в том, что комплектующие части данного продукта не повреждены. Если же повреждения замечены, немедленно прекратите установку и свяжитесь с изготовителем. **ВНИМАНИЕ:** все компоненты с пометкой «(\*)» являются дополнительными деталями. Часть продукции имеет данные компоненты в комплекте. В случае их отсутствия, необходимо приобрести данные детали дополнительно.

### **⚠ ВНИМАНИЕ**

**Внимание!** Не присоединяйте данный продукт к другим электроприборам до завершения процесса его установки.

Перед осуществлением чистки или ремонта, выдерните вилку электропитания продукта или разъедините его с источником электропитания.

Перед осуществлением установки или ремонта, наденьте защитные перчатки, чтобы не повредить пальцы рук.

При отсутствии соответствующего надзора, не позволяйте детям или людям с проблемами здоровья, людям с помутненным рассудком, а также пользователем с недостатком опыта пользоваться эксплуатирующей кухонную вытяжку.

Данный продукт разработан для использования взрослыми людьми, не разрешайте детям приближаться к нему близко.

Данный продукт разработан для использования взрослыми людьми, не разрешайте детям своевольно дотрагиваться до продукта или играть с ним.

В случае если плита еще не была установлена, не используйте данный продукт.

За исключением особых случаев, не применяйте данный продукт как подпорку.

Во время использования кухонной вытяжки вместе с другим газовым оборудованием, помещение должно быть хорошо проветриваемым.

Запрещено использовать одинаковый дымоход для данной продукции и другой газового оборудования.

Не жарьте продукты питания непосредственно у основания кухонной вытяжки.

Непосредственный контакт огня с сеткой запрещен, это может привести к пожару.

Во время жарки продуктов питания, необходимо избегать перегрева пищевого масла или же его воспламенения.

Во время приготовления пищи, близкие к источнику тепла детали кухонной вытяжки могут нагреваться.

Технология выброса дымового газа и безопасность данного процесса, должны четко соответствовать требованиям местных органов.

Процесс чистки кухонной вытяжки должен осуществляться регулярно. Необходимо очистить внутреннюю и верхнюю поверхность как минимум один раз в месяц.

Ремонт должен осуществляться строго по инструкции, иначе возможно возникновение воспламенения.


Не нужно устанавливать кухонную вытяжку при свете фонарика, это может повлечь за собой поражение электрическим током.

Изготовитель не несет ответственности за какие-либо проблемы, возникшие в связи с отказом от соблюдения данных инструкций, а также за нанесенный материальный ущерб или возникновение пожара по таким же причинам.

Данный продукт соответствует правилам 2002/96/EC европейского стандарта директивы по утилизации (WEEE) для электрической продукции. При утилизации устаревшей продукции, необходимо придерживаться соответствующих принципов, чтобы не нанести вреда окружающей среде и человеческому здоровью.

Вся продукция и соответствующие документы, имеющие



пометку , нельзя утилизировать в способ, одинаковый с утилизацией обычных бытовых отходов. Их утилизацию необходимо осуществлять в соответствии с требованиями к утилизации электрической продукции. Утилизацию всех отходов необходимо осуществлять в соответствии с местными законами охраны окружающей среды.

При необходимости получения ответов на все остальные вопросы, касающиеся утилизации продукции, обращайтесь за консультацией к соответствующим местным органам или торговой сети.

### **Инструкция по эксплуатации**

Данная кухонная вытяжка разработана специально для отвода дыма или фильтрации.



### **Выведение наружу**

При выведении наружу, можно присоединить соответствующую трубу к верхней части кухонной вытяжки через стыковочное кольцо, для того, чтобы выброс дыма осуществлялся наружу.

**ВНИМАНИЕ!** Выпускная труба является дополнительной деталью и покупается отдельно.

В поперечном разрезе выпускная труба должна соответствовать стыковочному кольцу.

Немного (приблизительно на 10°) наклоните горизонтальную выхлопную трубу, и сразу же вытяните ее вверх наружу, для того, чтобы дым вышел наружу.

Внимание! Если кухонная вытяжка в комплекте имеет подвижную сетку для сажи, ее необходимо извлечь перед началом установки.

Присоедините кухонную вытяжку к выпускному отверстию соответствующего диаметра в стене.

В случае если размер выпускного отверстия слишком мал, это может повлечь за собой снижение адсорбционной способности трубы и выпускного отверстия. В таком случае возможно возникновение сильного шума при введении трубы в выпускное отверстие.

Изготовитель не несет ответственности за проблемы, возникшие по этим причинам.

! Длина используемой трубы не должна быть меньше установленной длины.

! Используемая труба желательна должна быть не изогнутой (максимальный угол изгиба: 90 градусов).

! Избегайте деформации трубы в поперечном сечении.

! Внутренние стены используемой трубы должны быть достаточно гладкими.

! Материал, из которого изготовлена труба, должен соответствовать требованиям стандарта.



### **Внутренняя циркуляция**

При внутренней циркуляции необходимо иметь в наличии подвижную сетку для сажи, ее можно купить дополнительно.

Жир, имеющейся в дыме, и запах дыма будет адсорбирован посредством сетки для сажи, и затем выведен в помещение, пройдя внешний сетчатый колпак.

### **Инструкция по установке**

Минимальное расстояние между поверхностью электрической плиты (куда ставится кулинарная утварь) и нижней частью кухонной вытяжки должно быть не меньше 50 сантиметров. С другими видами плит, например газовой плитой, минимальное расстояние должно быть не меньше 65 см.

Если же расстояние между кухонной вытяжкой и плитой изначально уже было обозначено, то данное расстояние является стандартным.

В соответствии с рисунком «Установка: сверление отверстий», в стене, на которую будет установлена кухонная вытяжка, просверлите 6 отверстий диаметром 10 мм и глубиной 50 мм, вставьте дюбеля.

Затем при помощи саморезов прочно закрепите на стене крюки для устройства и крюки для декоративного колпака. Перед завершением установки, убедитесь в том, что крюки для устройства и крепежная пластина декоративного колпака установлены горизонтально. (Рисунок 1-5)

Данный продукт применяется для плит с шестью конфорками.

Чистка сетки из нержавеющей стали

Рисунок 12

Чтобы снять сетку для масла, крепко возьмитесь обеими руками за нижнюю часть сетки и потяните наружу, поверните вниз зажимы сетки больше чем на 80 градусов. Затем с помощью крестовой отвертки или инструмента такого типа не спеша открутите пружинный

фиксатор. Теперь можно снять сетку. При ежедневной чистке можно протирать наружную поверхность сетки тряпкой из мягкой ткани с средне или слабощелочным моющим средством и теплой водой.

### Электрическое соединение

Основное питание должно соответствовать номинальному значению на схемной плате кухонной вытяжки. Если кухонная вытяжка имеет в комплекте штепсельную вилку, то после завершения установки, в соответствии с имеющейся схемой «Стабилизация тока», ввести ее в розетку, и зафиксировать в месте возможного подключения. Если же вилки в комплекте не имеется, (напрямую соедините с источником тока) или же после завершения установки зафиксируйте ее в месте возможного подключения, в соответствии с установочными требованиями, можно использовать отвечающий стандартам двухполюсный выключатель, что обеспечит полное отключение от основного электропитания при превышении электрическим током III уровня.

**Внимание!** Перед повторным соединением электроцепи кухонной вытяжки с основным питанием, и перед проверкой возможности высокоэффективного функционирования, убедитесь в том, что шнур питания подключен правильно.

В комплекте с этим продуктом имеется специальный шнур питания. Если шнур питания поврежден, чтобы не подвергаться риску, обязательно свяжитесь с отделом технического обслуживания для замены шнура. **Перед установкой необходимо знать**

#### Перед установкой необходимо знать

Проверьте, соответствуют ли размеры продукта требованиям к месту установки.

Если в наличии имеется подвижная сетка (\*), сначала уберите ее (см. соответствующий раздел). Подвижная сетка используется лишь при применении функции фильтрации.

Проверьте, не имеется ли внутри кухонной вытяжки лишних предметов (например, коробочка с болтами (\*), гарантийный талон (\*) и так далее). Это необходимо для обеспечения нормальной транспортной работы. Если имеется, пожалуйста, вытащите и сохраняйте надлежащим образом.

Если это возможно, не спешите подключать устройство, а переместите продукт независимого типа или типа бокового всасывания из шкафа в другое место, это упростит процесс присоединения к стене или к потолку. Наденьте на столешницу / поверхность плиты / кухонную вытяжку плотный защитный кожух, это необходимо для того, чтобы обломок, упав вниз, не повредил столешницу / поверхность плиты / кухонную вытяжку. Для сборки продукта выберите ровное место и сверху накройте защитным кожухом, чтобы все выпавшие детали кухонной вытяжки остались на нем.

Кроме того, проверьте, чтобы вблизи от места установки кухонной вытяжки имелась розетка (или же место, куда можно было бы подключить кухонную вытяжку), а также убедитесь в том, что посредством этой розетки возможно соединение устройства выпуска дыма с внешними устройствами.

Завершить все необходимые кладочные работы (например, установка розетки и / или подготовка отверстия для выпускной трубы).

Затем в стене / потолке закрепите распорные болты, это делается с целью защиты кухонной вытяжки. Однако чтобы быть уверенным в том, что крепление на стене / потолке выдержит груз кухонной вытяжки, их материал должен быть определен специалистом.

#### Описание функционирования

Используется для быстрой адсорбции кухонного чада. Кухонную вытяжку рекомендуется включить за 5 минут до начала процесса приготовления еды, после завершения приготовления еды оставить вытяжку включенной еще на 15 минут. Это необходимо для того, чтобы чад адсорбировался абсолютно весь.

#### Интерфейс функций



- Кнопка увеличения скорости устройства: переключает скорость устройства со скорости 1 до скорости 3.
- Кнопка уменьшения скорости устройства: уменьшает скорость устройства.
- Кнопка электропитания: применяется для включения и отключения электропитания.
- Кнопка подсветки: применяется для включения и выключения подсветки. Подсветка может контролироваться независимо.
- Кнопка продления времени: когда запускается функция продления времени, запускается и двигатель, через три минуты, отключаются все функции.

#### Интерфейс функций



#### F1 – Функция установки времени включения / выключения (автоматическое отключение / выключение)

Когда запускается функция установки времени, запускается и двигатель (на любой скорости); двигатель выключается автоматически через 5 минут работы.

Оставшееся время работы (в минутах) мерцающее отображается на дисплее.

При необходимости завершения функции установки времени, за 5 минут нажмите на кнопку F1 еще раз. Внимание: при ручном выключении двигателя (используется кнопка F3), функция установки времени не снимается.

#### F2 – Включение / выключение подсветки

Предназначено для включения и выключения подсветки.

#### F3 – Уменьшение скорости двигателя / выключение

Уменьшает скорость работы двигателя до его полного выключения.

#### F4 – Включение / увеличение скорости двигателя

Может включать двигатель, а также увеличивать скорость с 1 до 3.

#### D – Дисплей

Может показывать:

- изменение скорости двигателя

- оставшееся время работы (функция установки времени)

#### Инструкция по уходу

**Внимание!** Перед проведением ремонта, убедитесь в том, что Ваша кухонная вытяжка уже выключена и отключена от источника электропитания. Если штепсель продукта все еще присоединен к розетке, необходимо сначала выдернуть штепсель.

#### Инструкция по очистке

Чистка кухонной вытяжки должна осуществляться регулярно самостоятельно или же при помощи специалистов (должна осуществляться как минимум в тоже время, что и обслуживание сетки масляного фильтра).

Для очистки используйте тряпку, смоченную в нейтральном моющем средстве. Не используйте наждачную шкурку. **Запрещено использовать спирт!**

Внимание: при нарушении правил осуществления процесса чистки кухонной вытяжки, указанных в инструкции, возможно возникновение возгорания. Поэтому мы рекомендуем Вам строго соблюдать правила очистки, которые указаны в инструкции. Изготовитель не несет никакой ответственности за какие-либо повреждения устройства или ущерб от пожара по причине неправильного ухода или пренебрежения рекомендациями по безопасности.

#### Сетка масляного фильтра

##### Предназначено для частиц жира в адсорбированном чаде

Сетку масляного фильтра необходимо чистить один раз в месяц неагрессивным моющим средством, или же в случае заполнения фильтра, что будет отображено при помощи индикаторной системы (если в продукте имеется такое приспособление). Ее можно помыть руками или в посудомоечной машине, но перед этим обязательно необходимо выставить в посудомоечной машине режим низкой температуры и слабого вращения.

Использование посудомоечной машины для мытья может повлечь за собой выцветание сетки масляного фильтра, но это никак не повлияет на эффективность фильтрационной работы сетки масляного фильтра.

Для снятия сетки масляного фильтра, сначала подвигайте пружины на сетке, чтобы освободить рукоятку, и затем снимите сетку масляного фильтра.

#### Подвижная сетка для сажи

##### Рисунок 14

#### Предназначенный для адсорбции посторонних запахов, которые возникают в процессе приготовления пищи.

Данную сетку для сажи можно очищать через каждые два месяца с помощью горячей воды и соответствующего моющего средства. Также можно применять посудомоечную машину, предварительно обязательно выставив в посудомоечной машине режим работы при 65 градусах. При использовании посудомоечной машины, необходимо выбрать функцию полного вращения и убрать столовые приборы.

При условии, что сетка для сажи не повреждена, дайте стечь лишней воде, и затем поместите ее в духовку для сушки. Выставьте температуру 100 градусов, и оставьте сетку в духовке на 10 минут. Прокладку нужно менять через каждые три года или при возникновении повреждений.

#### • Способ установки

Поместите сетку для сажи на оборотной стороне сетки и закрепите 4 стержнями.

**Внимание!** Стержни помещены в пакете сетке для сажи, а не на кухонной вытяжке.

• Снять сетку для сажи можно, выполняя описанные выше действия в обратном порядке.

#### Замена лампочки подсветки

Перед заменой лампочки, убедитесь в том, что Ваша кухонная вытяжка уже выключена и отключена от источника электропитания.

**Внимание!** Перед заменой лампочки, убедитесь в том, что она окончательно остыла.

Новая лампочка должна соответствовать модели прежней лампочки, модель лампочки можно найти на этикетке или на поверхности кухонной вытяжки возле подсветки.

1. Введите маленькую плоскую отвертку в кольцо, легонько скройте наружу, вытащите соединительный штепсель, теперь можно снять саму лампочку.
2. Снимите испорченную лампочку и поменяйте ее на LED лампочку одинаковой модели. Модель LED лампочки: 12V,1W (максимум). Далее следуйте по соответствующей инструкции, не дотрагивайтесь голыми руками до лампочки.

3. Установите плафон на место (закрывается по щелчку).

В случае если подсветка не яркая, убедитесь в том, что лампочка установлена правильно. При необходимости, вызовите специалиста для осуществления ремонта.

#### **Модель с LED технологией**

Система освещения кухонной вытяжки данного типа оснащена LED технологией.

Технология LED является самой лучшей технологией освещения на сегодняшний день, продолжительность времени работы LED лампочек в 10 раз превышает продолжительность работы обычных лампочек. Технология LED также обладает способностью сбережения электроэнергии.

При необходимости замены, обратитесь в технический центр.



## DE - Anleitung zur Montage und Nutzung

**Vor der Verwendung dieses Produkts, bitte lesen Sie diese Gebrauchsanweisungen sorgfältig.** Für alle Personen-oder Sachschäden, die durch unsachgemäße Installation oder Nutzung führen, übernimmt der Hersteller keine Verantwortung. Das Design des Produkts wird nur inländisch verwendet.

**Wenn es Unterschiede zwischen dem Produkt und der Darstellung gibt, bitte machen Sie den Gegenstand als den Standard. Wenn die Charakterbeschreibungen mit der Beschreibung der Montage, Nutzung, Instandhaltung nicht entsprechen, bitte machen Sie auch den Gegenstand als den Standard.**

! Bewahren Sie dieses Handbuch, zu nachschlagen oder zum nächsten Benutzer des Produkts zu übertragen.

! Um eine ordnungsgemäße und sichere Nutzung des Produkts zu gewährleisten, bitte lesen Sie diese Instruktion sorgfältig.

! Bitte verwenden Sie die inkompatible elektrische oder mechanische Teile auf diesem Produkt oder Auspuffrohr nicht.

! Vor der Montage ,bitte betätigen Sie, ob es Beschädigen in dem Teil gibt. Wenn es das Beschädigen gibt, stoppen Sie bitte die Installation sofort und kontaktieren mit Händler.

**Hinweis:** Alle Elementen mit (\*) sind optionale Zubehören, und einige Produkte haben die Zubehören, andere müssen separat gekauft werden.



### Verwarnung

**Verwarnung!** Vor dem Ende der Installation, stellen Sie bitte Anschlüsse der Produkte mit anderen elektrischen Maschinen nicht.

Vor der Reinigung und Wartung, schalten Sie bitte den Netzanschluss oder Dose aus.

Bei der Montage und Wartung,tragen Sie bitte die Schutzhandschuhe, um die Fingerverletzung in der Wischvorgang zu verhindern.

Wenn es unbeaufsichtigten bleiben, erlauben Sie bitte den Kindern oder den gebrechlichen, verrückten und unwissenden Personen die Abzugshaube zu verwenden nicht.

Dieses Produkt ist hauptsächlich für Erwachsener entworfen,erlauben Sie bitte den Kindern nahe zu bleiben nicht.

Dieses Produkt ist hauptsächlich für Erwachsener entworfen,erlauben Sie bitte den Kindern leicht zu berühren oder spielen nicht.

Vor der gültigen Installation des Ofens, verwenden Sie x dieses Produkt nicht.

Außer der Sonderangaben,verwenden Sie dieses Produkt als Auflagefläche nicht.

Wenn Abzugshaube mit anderen Gas-/Öl-Anlagen zusammen verwendet wird, muss das Zimmer gut belüft sein.

Verbieten dieses Produkt und andere Gasgeräte mit einem gemeinsamen Schornstein zu verwenden.

Bitte backen Sie die Lebensmittel direkt unter der Abzugshaube nicht.

Verbieten direkt die Netzplatte zu backen,um die Feuersbrunst zu verhindern.

Beim Braten vermeiden Sie das Speiseöl zu überhitzen oder entzünden.

Bei der Verwendung von Kochgeräten, können die Teile der Abzugshaube in der Nähe von Wärmequellen heiß werden.

Relevante Technik und Sicherheitsaktivitäten der Rauchgasemissionen sollen streng in Übereinstimmung mit der örtlichen behördlichen Vorschriften durchgeführt sein.

Abzugshaube soll regelmäßig gereinigt werden, einschließlich der Innen- und Außenflächen (mindestens einmal pro Monat).


Wartung soll in Übereinstimmung mit der in der Anleitung angegebenen Methode durchgeführt werden, sonst gibt es eine Brandgefahr.

Verwenden Sie die Abzugshaube mit der falschen installierten Lampe nicht, um Stromschlaggefahr zu vermeiden.

Für die Problemen, Sachschäden oder Feuersbrunst, die von Verstoßen gegen diese Anleitung verursachen, verantwortet der Hersteller nicht.

Dieses Produkt entspricht den relevanten Vorschriften in der Euro-Norm 2002/96/EC von der aufgehobenen Verordnung der elektronischen Produkten. Bei der Behandlung von alten Produkte, soll sie im harmlosen Grundsatz für Umwelt und Person gültig durchgeführt werden.



Alle Produkte und relevante Dokumenten mit dem Kennzeichen  dürfen sich mit der Weise des Hausmülls behandeln nicht, sondern nach der Form der Rückgewinnung der elektrischen Produkte durchgeführt werden sollen. Alle Abfälle müssen nach dem lokalen Umweltgesetz behandelt werden.

Für andere Problemen bezogen auf die richtige Behandlung oder Wiederverwertung, fragen Sie bitte die lokale zuständige Behörden oder Verkaufsplatz nach.

### Bedienungsanleitung

Diese Abzugshaube ist für den Auspuff oder die Filtrierung speziell entworfen.



### Draußen der Emission

In diesem Fall können Sie die Sonderrohr mit Anschlussring verbinden, um das Abgas nach draußen zu leiten.

**Hinweis!** Das Auspuffrohr ist das optionale Zubehör, muss separat gekauft werden.

Durchmesser des Auspuffrohrs muss in der Übereinstimmung mit Anschlussring sein.

Neigen sich das Auspuffrohr in horizontaler Richtung (ca.10°), dann legen das Auspuffrohr nach oben entlang des Außengehäuses, um das Abgas nach draußen zu leiten.

Hinweis! Wenn Abzugshaube mit dem Aktivkohlenetz versehen ist, soll es vor der Installation abmontiert werden.

Anschließen die Abzugshaube mit Auspuffmund, dessen Größe gleich mit dem äquivalenten Porenradius der Wand ist.

Wenn die Größe der Auspuff zu klein ist, reduziert es die Anziehungskraft des Rohrs und Auspuffmunds, führt zu vielen Lärmen beim Einstecken.

Für die Problemen, die davon verursachen, verantwortet der Hersteller nicht.

! Die Länge der verwendeten Rohren darf kleiner als die vorgeschriebene Länge sein nicht.

! Die Länge der verwendeten Rohren haben am Bestens kein Knierohr(Maximal krumm Winkel : 90 ° )

! Vermeiden eine große Veränderung auf dem Querschnitt des Rohrs zu machen.

! Die Wandung der allen verwendeten Rohren soll genug glatt sein.

! Die Material des Rohrs soll der Anforderung des Standards entsprechen.



### Interne Recycling

Dies soll mit dem Aktivkohlenetz versehen sein, können Sie von dem Sortimentsbuchhändler bekommen.

### Anleitung zur Montage

Der Mindestabstand zwischen die Auflagefläche des Kochgeschirrs auf dem Elektroherd und das niedrigste Teil der Abzugshaube sollte am mindestens 50 cm sein. Der Mindestabstand für andere, wie der Gasherd oder Mischgasherd, sollte am mindestens 65 cm sein.

Wenn der Abstand zwischen die Fläche des Kochens und die Abzugshaube markiert wird, gelten Sie den Abstand als Standard.

Nach der Montagedarstellung der Bohrung drillen Sie mit Schlagbohrmaschine auf der entsprechenden Position der Wand von Abzugshaube 6 Löcher mit Durchmesser von 10mm,Tiefe von 50mm,verlegen Expansionsrohr gut, befestigen mit Holzschrauben die Haken Platten von Maschinen und das dekorative Haken an der Wand, überprüfen Sie nach der Installation ob die Haken Platten von Maschinen und die fixierte Platte der dekorativen Abdeckung horizontal sind.(Darstellung 1-5)

Dieses Produkt kann für den Herd mit 6 Brenners gelten.

Netzplatte des rostfreien Stahl zu waschen.

Darstellung 12

Beider Abmontierung der Netzwerk der Öl , ziehen Sie das Ende der Netzwerk der Öl draußen,machen die feste Vorrichtung der Netzwerk der Öl sich zu trennen,drehen nach unten etwa 80° , gerade jetzt wird Netzplatte geschränkt, verschieben leicht Federriegel mit Kreuzschraubenzieher oder dem ähnlichen Werkzeug, dann können Sie die Netzplatte nehmen; Im Prozeß der Reinigung kann es Außenfläche

der Netzplatte mit der soften Gaze , neutralen oder schwachen Alkalizität Reinigungsmittel, dem lauwarmen Wasser.

#### ⚠ Elektrischer Anschluss

Hauptstromversorgung soll dem Nennwert der Leitungsplatte der Abzugshaube entsprechen. Wenn die Abzugshaube mit einem Stecker ausgerüstet ist, nach der Installation, anschließen das derzeitige Stromregler Bild mit der Dose, und befestigen Sie es in der zugänglichen Stelle. Wenn Sie nicht mit Steckern ausgestattet ist (direkt an die Stromversorgung angeschlossen ist), oder nach der Installation, befestigen Sie es in der zugänglichen Stelle;dann können Sie nach der Anforderung der Installation den zweipoligen Schalter der entsprechenden Standardanforderungen verwenden, um sicherzustellen, dass der Strom bei der übersteigten Stufe III von der Stromversorgung getrennt sein können.

**Hinweis!** Bevor Sie Hauptstromversorgung mit Abzugshaube anschließen und wirkungsvoll zu funktionieren prüfen, prüfen Sie sorgfältig, ob das Anschluss des Stromkabels richtig ist. Dieses Produkt ist mit dem speziellen Stromkabel versehen: wenn das Stromkabel beschädigt wird, müssen Sie den Fachmann der Wartung zu ersetzen kontaktieren.

#### Beachtungen vor der Montage

Prüfen Sie, ob die Größe des Produkts der Anforderung der Montageposition entsprechen.

Wenn es mit dem Aktivkohlenetz(\*) versehen ist, soll es vor der Installation abmontiert werden (Siehe entsprechenden Abschnitt ). Aktivkohlenetz gilt nur für die Verwendung der Filtrierung.

Prüfen Sie, ob es andere Gegenstände im Innern der Abzugshaube gibt (auf Transport zu berücksichtigen, wie Schraube (\*),Grantiekarte(\*) usw.) Wenn es gibt, bitte entnehmen und aufbewahren.

Wenn es möglich ist, vor dem Anschluß, bewegen Sie die freistehende oder saugseite Produkte von dem Loch des Schrank zu ander Position, sich um ihm mit Wand oder Decke zu verbinden.

Oder stellen Sie eine dicke Schutzabdeckung auf der Arbeitsplatte / Kochplatte / Abzugshaube, um das Schäden der fallenden Trümmer der Arbeitsplatte / Kochplatte / Abzugshaube zu verhindern.

Darüber hinaus überprüfen Sie , dass es die Dose in der Nähe von Montageposition gibt und die Dose die Position der Auspuffanlage mit der Außenwelt zu verbinden kann.

Erledigen Sie alle nötige Mauerwerksarbeiten (wie die Installation der Dose /oder des Auspuffrohrs ).

Dann verwenden Sie auf der Wand / der Decke den Dübel, um Abzugshaube zu schützen. Aber, die Material muss von Fachmann entschieden werden, um zu garantieren, dass die Wand /Decke genüge Stärke hat, das Gewicht der Abzugshaube zu tragen.

#### Betriebsanleitung

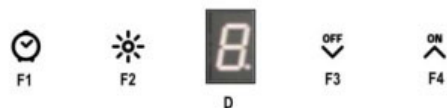
Können Sie sich den Lampenruß in der Küche mit großen Geschwindigkeiten aufnehmen. Vor dem Kochen sollen Sie die Abzugshaube für 5 Minuten bis zum Ende des Kochen öffnen, anschließend öffnen Sie für 15 Minuten wieder, zu garantieren, dass Lampenruß ganz aufgenommen wird.

#### Grenzfläche der Funktion



- f. Hochschnelle Taste des Motors - Die Motordrehzahl von 1 bis 3 Speed zu steigen.
- g. Taste der niedrigen Geschwindigkeit- die Geschwindigkeit des Motors zu reduzieren.
- h. Taste der Stromversorgung - Stromversorgung abzuschalten oder anzuschalten.
- i. Taste der Lampe- Taste der Lampe abzuschalten oder anzuschalten, und die Taste separat zu kontrollieren.
- j. Auslöseverzögerungstaste- Können Sie dabei den Motor durch die Funktion der Auslöseverzögerung öffnen, und nach 3 Minuten werden alle Funktionen abgeschaltet.

#### Grenzfläche der Funktion



**F1 – Die Funktion des Timings zu starten/abschalten.**(automatisch ausschalten /abschalten)

Beim Start der Funktion des Timings wird der Motor dabei gestartet(mit jeder Geschwindigkeit);Nach der Betrieb von 5 Minuten schaltet er automatisch aus. Während des Timings, zeigt der Bildschirm die verbleibende Arbeitszeit mit der Form der Minute(der blinkende Zustand). Wenn Sie die Funktion des Timings stoppen müssen, bitte drücken Sie F1-Taste im Voraus 5 Minuten wieder. Hinweis: Wenn Sie den Motor manuell beenden(mit F3-Taste), kann die Funktion des Timings aufgehoben werden.

#### F2-Lampe öffnen/ausmachen

Öffnen und ausmachen die Lampe durch F2.

#### F3- die Geschwindigkeit des Motors reduzieren / stilllegen

Reduzieren die Geschwindigkeit des Motors, bis zum Stilllegen.

#### F4- Die Geschwindigkeit des Motors starten/zunehmen.

Starten das Motor und nehmen sich die Schwindigkeit des Motors von 1 bis 3 Speed zu.

#### D- Bildschirm

Es wird gezeigt:

- die Zustand der Drehzahler Motordrehzahl
- die verbleibende Arbeitszeit in der Funktion des Timings.

#### Wartungsanleitung

**Hinweis:** Vor der Wartung,bestätigen Sie bitte,dass die Abzugshaube schon ausgemacht wird und von Stormversorgung getrennt ist.

Wenn der Stecker des Produkts noch mit Dose verbunden ist, müssen Sie den Stecker im Voraus ziehen.

#### Reinigungsanleitung

Abzugshaube soll regelmäßig von selbst oder der anderen Person gereinigt werden (zumindest gleichzeitig mit der Öl Netzwerk-Wartung durchgeführt wird). Bei der Reinigung, waschen Sie mit einem feuchten Tuch mit einem neutralen Reinigungsmittel. Verwenden Sie Schmirgelpapier nicht. **Alkohol ist verboten.**

**Hinweis:** Wenn es bei der Reinigung der Abzugshaube nach Vorschriften der Anleitung nicht durchgeführt wird, besteht es das Brandgefahr.

Für alle Schäden oder Feuerluste, die von falschen Wartung oder Verstoßen gegen diese Sicherheitsempfehlungen verursachen, verantwortet der Hersteller nicht.

#### Ölsieb

**das Fett des Lampenruß aufnehmen.**

Ölsieb muss einmal pro Monat mit dem Reinigungsmittel ohne Erosion reinigt werden(oder wenn es eine Vorrichtung auf das Produkt gibt, zeigt Filtersättigungsanzeige System, einen Bedarf zu haben). Waschen direkt mit Hände, verwenden auch den Geschirrspüler,aber gibt es eine Voraussetzung,dass der Geschirrspüler muss in einwandfreiem Zustand mit niedrigen Temperatur-Zyklus funktionieren.

Die Reinigung mitdem Geschirrspüler kann Ölsieb leicht verfärben machen.

Aber es gibt Ohne andere Bewirkung für die Funktion des Ölsiebs.

Beim Abmontieren des Ölsiebs, verschieben Sie den freigabe Griff der Feder von Netzplatte im Voraus, dann abmontieren Sie das Ölsieb.

#### Aktivkohle Netz

##### Darstellung 14

**Nehmen den seltsamen Geruch im Vorgang des Kochen auf.**

Dieses Aktivkohle Netz kann mit heißem Wasser mit geeignetem Reinigungsmittel pro drei Monats gereinigt werden, auch durch den Geschirrspüler, aber es gibt eine Voraussetzung ist,dass der Geschirrspüler in der Arbeitsbedingung von 65 °C funktioniert(Wenn Sie den Geschirrspüler verwenden, müssen Sie den gesamten Zyklus Funktion verwenden und das Geschirr reinigen).

Ohne Beschädigung des Aktivkohle Netz,lässt sich das überschüssige Wasser des Aktivkohle Netz ab,dann legen Sie es in den Backofen zu trocknen. Stellen Sie die Ofentemperatur auf 100 °C,und Zeit von 10 Minuten auf. Pro vier Jahren oder bei der Beschädigung des Tuchs soll es einmal ersetzt werden. •

#### Methode der Installation

Stellen das Aktivkohle Netz auf der Rückseite der Netzplatte, und befestigen 4 Mandrille.

**Hinweis:**Befestigen den Mandrill in Aktivkohle-Netzbeutel, nicht auf der Abzugshaube.

Wiederholen Sie die obigen Schritte in umgekehrter Reihenfolge, um das Aktivkohle-Netz zu entfernen.

#### Ersetzen die Lampe

Vor dem Ersetzen, bestätigen Sie bitte,dass die Abzugshaube schon

ausgemacht wird und von Stormversorgung getrennt ist.

**Hinweis!** Vor dem Ersetzen der Lampe, bestätigen Sie bitte, ob es sich ganz kühlt.

Bitte ersetzen Sie eine Lampe der gleichen Art, können Sie Lampe-Art auf dem Schild oder der Oberfläche in der Nähe von Lampe finden.

1. Stecken mit einem kleinen Schraubendreher in den Kreis ein, hebeln mit einer geringen Kraft draußen auf, dann ziehen Sie den Stecker, und entfernen die Lampe.

2. Nehmen Sie sich die beschädigte Lampe und ersetzen die gleichen Spezifikationen der

LED-Lampe. Die Spezifikationen für die LED-Lampe ist 12V, 1W (Max)

Bitte installieren Sie nach Packungsanleitung, berühren die neue Lampe mit bloßen Händen nicht.

3. Installieren Sie Lampenschirm wieder (es gibt den Ton "Pa")

Wenn die Lampe funktioniert nicht, bevor Fachmann zur Wartung kommt, prüfen Sie, ob Installation der Lampe richtig ist.

#### **Art mit LED-Lampe**

Diese Abzugshaube ist mit Beleuchtungssysteme basiert auf LED-Technologie ausgestattet.

LED kann garantieren, dass der optimale Zustand und die kontinuierliche Arbeitszeit 10-mal der traditionellen Lampe sind, und 90% Energie zu sparen.

Wenn sie ersetzt werden muss, kontaktieren Sie bitte mit dem Kundendienst.

## FR - Notice de montage et d'usage

### Avant d'utiliser ce produit, veuillez lire soigneusement cette notice.

Le fabricant ne prend aucune responsabilité sur le dommage corporel et des biens à cause d'un montage et d'un usage inadaptable. La conception de ce projet est uniquement pour notre pays.

### En cas de divergence entre le produit est la figure, l'objet réel fait foi. Pour toute les commentaires des caractères sur le montage, l'usage et la maintenance, l'objet réel fait foi.

! Veuillez bien conserver cette notice, pour faciliter la consultation ultérieure ou transmettre à l'utilisateur suivant.

! Pour que vous puissiez utiliser correctement ce projet avec sécurité, veuillez lire soigneusement cette notice.

! Il est interdit d'installer les pièces électriques ou mécaniques dans ce projet ou le tuyau d'échappement de fumée.

! Veuillez confirmer le dommage des pièces avant le montage. En cas de dommage, veuillez arrêter en temps le montage et contacter avec le concessionnaire.

**Nota:** pour tous les composants avec "(\*)", ce sont les composants à option, une parties sont fournies avec le produit, une autre partie doit être achetée autrement.



### Avertissement

**Avertissement!** Avant la fin du montage, il est interdit de connecter le produit avec les autres appareils électriques.

Avant le nettoyage ou la réparation, veuillez débrancher la fiche de source d'alimentation ou déconnecter la source d'alimentation.

Lors du montage et de la réparation, veuillez porter les gants protecteurs, pour éviter d'endommager les doigts au cours de l'essuyage.

Il est interdit aux enfants sans tutelle et aux personnes faibles, délirantes ou non qualifiées d'utiliser l'extracteur de fumée.

Le produit est conçu pour les adultes, il est interdit aux enfants de s'approcher.

Le produit est conçu pour les adultes, il est interdit aux enfants de contacter ou de jouer.

Il est interdit d'utiliser ce produit avant d'installer la cuisinière.

Sauf l'indication contraire, il est interdit d'utiliser ce projet comme un front d'appui.

En cas d'usage commun entre l'extracteur de fumée et les autres appareils de gaz et de carburant, la chambre doit avoir une bonne ventilation.

Il est interdit d'avoir une même buse pour ce produit avec tous les autres appareils de gaz et de carburant.

Il est interdit de chauffer directement les aliments sous l'extracteur de fumée.

Il est interdit d'utiliser le feu de cuisinière pour chauffer directement le panneau de maille, pour éviter l'incendie.

Lors de la friture, il faut éviter le surchauffage ou la combustion des huiles alimentaires.

Lors de l'usage de l'appareil de cuisine, les pièces de l'extracteur de fumée près de la source thermique peuvent être chauffées.

Les techniques et les sécurités relatives à l'extraction de fumée, il faut respecter celles fixées par l'autorité locale.

Pour l'extracteur de fumée, il faut faire un nettoyage régulier, y compris, la surface interne et externe (au moins un nettoyage par mois).

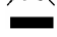
La maintenance doit être réalisée selon la méthode fixée dans la notice, pour éviter l'incendie.

Il est interdit d'utiliser l'extracteur de fumée dont le montage d'éclairage est erroné, pour éviter le contact électrique.

Pour tous les problèmes, les dommages des biens ou les incendies causés par l'observation de ces dispositions, le fabricant n'assume aucune responsabilité.

Ce produit est conforme à la directive de rebut des produits électriques et électroniques (WEEE) de la recommandation européenne 2002/96/EC. Lors du traitement des rebus, il est basé sur un traitement efficace sans nuisance à l'environnement et à la santé corporelle.



Pour tous les produits avec marquage et les documents connexes , il est interdit d'adopter le traitement selon les ordures vie, donc, le traitement sera réalisé selon le recyclage des produits électriques et électroniques. Tous les rebus doivent être traités selon la loi locale en matière de l'environnement.

Pour les questions relatives au traitement ou recyclage des produits, veuillez consulter les autorités compétentes ou les points de vente.

## Description de l'usage

Cet extracteur de fumée est conçu spécialement pour l'extraction d'air ou de filtration.



### Echappement externe

Dans ce cas, on raccorde le tuyau spécial avec l'anneau de connexion en haut de l'extracteur, pour échapper la fumée vers l'extérieur.

**Attention !** Le tuyau d'échappement est une pièce à option, il faut acheter autrement.

Le diamètre de tuyau d'échappement doit être identique avec celui d'anneau de connexion.

Le tuyau d'échappement est incliné légèrement au sens horizontal (10° environ), pour étendre vers l'extérieur, afin d'échapper la fumée vers l'extérieur.

Attention ! Si l'extracteur est équipé du de la crépine de carbone actif, il faut l'enlever avant le montage.

Raccorder l'extracteur avec la grande bouche d'échappement et la petite bouche d'échappement de l'hotte (bouche de connexion) au mur avec un diamètre équivalent.

Si la bouche d'échappement est plus petite, ceci peut réduire la force d'aspiration pour le tuyau et la bouche d'échappement, en générant le bruit fort lorsque le tuyau est inséré dans la bouche d'échappement.

Le fabricant n'assume aucune responsabilité pour ces problèmes.

! La longueur d tuyau ne doit pas être inférieure à celle fixée.

! Le tuyau ne doit pas avoir le coude (angle tournant maximal: 90°).

! Il faut éviter la modification énorme dans la section transversale du tuyau.

! La paroi interne de tuyau doit être lisse.

! Les matériaux de tuyau sont conformes à la norme.



### Circulation interne

Dans ce cas, il faut demander la crépine de carbone actif auprès du vendeur.

La graisse et l'odeur de fumée sont aspirées par la crépine de carbone actif, pour échapper vers l'extérieur à travers la grille externe.

### Description du montage

La distance minimale entre le front d'appui de l'appareil de cuisine dans la cuisinière électrique et le point le plus bas de l'extracteur de fumée est au moins 50cm. La distance avec la cuisinière de gaz ou la cuisinière de gaz mixte doit être au moins 65cm.

Dans la cuisine, si le plan de cuisine de gaz est équipé d'une indication de la distance par rapport à l'extracteur de fumée, cette distance fait foi.

En référence au plan de perforation du montage, il faut installer l'extracteur de fumée dans le mur, utiliser la perceuse à percussion pour forer 6 trous d'une profondeur de 50mm d'un diamètre de 10mm, noyer le tuyau à expansion, utiliser la vis en bois pour suspendre la plaque de crochet et le crochet de capot décoratif dans le mur, à la fin du montage, il faut contrôler si la plaque de crochet et la plaque de fixation de capot décoratif sont au sens horizontal. (Figure 1-5)

Ce produit s'adapte à une cuisinière avec 6 feux.

Lavage de plaque de crépine en acier inoxydable

Figure 12

Pour le démontage de crépine d'huile, deux mains tiennent le fond de plaque de crépine pour tirer vers l'extérieur, permettant à l'organe de blocage fixant la crépine d'huile d'être séparé en tournant vers le bas à 80° environ, à ce moment, la plaque de crépine est limitée, ensuite, on prend le tournevis en crois ou l'outil similaire pour pousser légèrement le blocage à ressort, pour enlever la plaque de crépine; au cours du nettoyage courant, on prend la filée souple, la lessive neutre ou avec faible alcali et l'eau chaude pour essuyer la surface de plaque de crépine externe.



### Connexion électrique

La source d'alimentation principale doit être conforme à la valeur nominale figurée dans le bornier de l'extracteur. Si l'extracteur est équipé de la fiche, à la fin du montage, selon le plan de réglage de courant existant, il faut raccorder avec la prise en fixant dans une position accessible. S'il n'existe pas la fiche (connexion directe à la source d'alimentation) ou non fixation dans une position accessible à la fin du montage, donc, selon l'exigence du montage, on prend l'interrupteur à double pôle en conformité à la norme, pour qu'il puisse être déconnecté

depuis la source d'alimentation principale lorsque le courant dépasse la classe III.

**Avertissement!** Avant la reconnexion à la source d'alimentation principale et au circuit de l'extracteur et la vérification d'une mise en service efficace, veuillez contrôler soigneusement si la connexion de source d'alimentation est correcte.

Ce produit est équipé du fil de source d'alimentation spécial: en cas de dommage sur le fil de source d'alimentation, pour éviter le danger, il faut demander à un spécialiste du service d'entretien pour faire le remplacement.

### Instructions avant le montage

#### Instructions avant le montage

Contrôler si la dimension du produit est conforme à la position du montage.

S'il existe la crépine de carbone actif (\*), il faut l'enlever (voir le paragraphe concerné). La crépine de carbone actif est utilisée uniquement pour la filtration.

Vérifier s'il existe les objets dans l'extracteur (en considérant le transport, tels que paquet de vis (\*), fiche de garantie (\*), etc) . S'il existe, il faut les sortir en conservant parfaitement.

Si c'est possible, veuillez ne pas raccorder tout de suite, il faut déplacer le produit isolé ou d'aspiration latérale vers un autre endroit depuis l'ouverture de placard, pour faciliter la connexion entre le mur et le plafond. Ou bien mettre un capot dans plan /surface de cuisinière/extracteur, pour éviter le dommage sur plan /surface de cuisinière/extracteur à cause de la chute des fragments. Choisir un endroit plat pour faire l'assemblage des produits, mettre en capot pour poser tous les composants et matériels avec arête de l'extracteur.

De plus, il faut contrôler s'il existe la fiche près de l'extracteur (ou la position accessible de l'extracteur) et si la prise peut permettre au dispositif d'échappement de fumée de raccorder à l'extérieur.

Il faut faire tous les travaux de maçonnerie (y compris, pris et / ou trou de tuyau d'échappement).

Ensuite, il faut mettre le bouche de mur à expansion dans la paroi/le plafond, pour protéger l'extracteur. Mais, les matières doivent être déterminées par le spécialiste, pour que la paroi/le plafond ait une résistance suffisante pour supporter le poids de l'extracteur de fumée.

### Description de l'opération

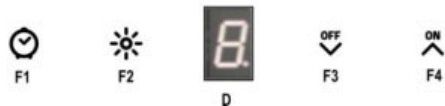
Il est possible d'utiliser la grande vitesse pour aspirer la fumée dans la cuisine. Il est recommandé de démarrer l'extracteur durant 5min avant de faire la cuisine, jusqu'à la fin de la cuisine, ensuite, il faut ouvrir aussi durant 15min pour que toute la fumée soit aspirée.

### Interface d'affichage fonctionnel



- k. La touche à grande vitesse du moteur – passage de vitesse 1 à la vitesse 3 du moteur.
- l. La touche à petite vitesse du moteur – réduction de vitesse du moteur.
- m. La touche de source d'alimentation- ouverture et fermeture de source d'alimentation.
- n. La touche d'éclairage –ouverture et fermeture de touche d'éclairage, contrôle indépendant pour touche d'éclairage.
- o. La touche de temporisation – démarrage de moteur lors que la fonction de temporisation est ouverte, toute la fonction sont fermée dans trois minutes.

### Interface d'affichage fonctionnel



#### F1 – Ouverture / fermeture à timing (coupure/fermeture automatique)

Le démarrage de fonction à timing peut démarrer le moteur (à vitesse quelconque); le moteur sera coupé automatiquement dans 5 min.

Durant la timing, l'écran peut afficher le temps de service restant sous forme des minutes (état clignotant).

Pour terminer le timing

Pour arrêter la fonction de timing, veuillez appuyer de nouveau sur la touche F1 de 5 min à l'avance. Attention : la fonction de timing n'est pas libérée en cas de fermeture manuelle de moteur (touche F3).

#### F2 – Ouverture /fermeture d'éclairage

Pour ouvrir et fermer l'éclairage.

#### F3 – Réduction de vitesse de moteur/fermeture

Pour réduire la vitesse du moteur jusqu'à la fermeture complète.

#### F4 – Ouverture/augmentation de vitesse de moteur

Pour ouvrir le moteur, le passage de vitesse 1 à la vitesse 3 du moteur.

### D – Ecran

Pour afficher:

- L'état de service du moteur.
- Le temps restant sous la fonction de timing.

### Description de la maintenance

**Attention !** Avant la réparation, veuillez confirmer votre extracteur de fumée est fermé et en déconnexion à la source d'alimentation.

Si la fiche de produit est raccordée à la prise, il faut débrancher la fiche.

### Description du nettoyage

Pour l'extracteur de fumée, il faut nettoyer ou faire nettoyer régulièrement par un spécialiste (en même temps avec la maintenance de crépine d'huile au moins). Lors du nettoyage, veuillez utiliser la toile humide avec lessive neutre. Il est interdit d'utiliser la filée. **Il est interdit d'utiliser l'alcool!**

**Avertissement:** le nettoyage sur l'extracteur de fumée doit respecter la notice, le cas échéant, le danger d'incendie.

Donc, nous vous recommandons de faire strictement le nettoyage selon la notice.

Pour tout le dommage ou l'incendie à cause d'une maintenance inadaptable ou d'une inobservation à la proposition de sécurité, le fabricant ne prend aucune responsabilité.

### Crépine d'huile

#### Pour aspirer le grain de graisse dans la fumée.

La crépine d'huile doit être nettoyée mensuellement par la lessive anticorrosive (ou en cas d'indication selon le système d'indication de saturation du filtre, s'il existe dans le produit). Il est possible de nettoyer directement par les mains ou par le lave-vaisselle, mais, il faut que le lave-vaisselle soit en état de service de circulation à basse température.

Pour le nettoyage par le lave-vaisselle, il est possible de causer la décoloration dans la crépine d'huile, mais, sans aucun impact sur l'effet de filtration de la crépine d'huile.

Lors du démontage de crépine d'huile, veuillez remuer la poignée de libération à ressort dans la plaque de crépine, ensuite, on fait la démontage de crépine d'huile.

### Crépine de carbone actif

#### Figure 14

#### Pour aspirer l'odeur anormale générée au cours de la cuisine

Pour cette crépine de carbone, il faut utiliser l'eau chaude avec lessive pour faire le nettoyage tous les deux mois, ou par le lave-vaisselle, mais, il faut que le lave-vaisselle soit en état de service de 65°C (pour le nettoyage par le lave-vaisselle, il faut sélectionner la fonction à circulation complète en sortant les couverts).

En évitant le dommage sur la crépine de carbone, il faut filter les eaux excédentaires dans la crépine de carbone, ensuite, mettre la crépine de carbone dans le four pour sécher. Configurer le four à 100°C, durant 10 min. Il faut remplacer le coussinet tous les trois ans ou lors du dommage de toile.

#### • Méthode de montage

Installer la crépine de carbone au dos de la plaque de crépine en fixant 4 tiges de haut.

**Attention !** La tige de haut est installée dans le sachet de crépine de carbone mais non sur l'extracteur.

- Veuillez répéter les démarches ci-dessus au sens inverse pour enlever la crépine de carbone.

### Remplacement d'éclairage

Avant le remplacement, veuillez confirmer votre extracteur de fumée est fermé et en déconnexion à la source d'alimentation.

**Avertissement!** Avant de remplacer l'ampoule, veuillez confirmer si elle est refroidie complètement.

Veuillez remplacer une ampoule du même modèle, le modèle d'ampoule est figuré dans l'étiquette ou la surface de l'extracteur de fumée près de l'ampoule.

1. Utiliser un petit tournevis pour insérer dans le cercle d'attente, lever légèrement vers l'extérieur, enlever la fiche de pièce insérer pour enlever la lampe.

2. Sortir l'ampoule endommagée en remplaçant par une lampe LED de la même spécification. La spécification de lampe LED est de 12V,1W (au maximum) .

**Veuillez opérer selon la description fixée dans l'emballage, il est interdit de conacter avec la nouvelle ampoule par la main nue.**

3. Réinstaller l'abat-jour (avec un son de fermeture "clac")

Si l'éclairage n'est pas allumé, veuillez contrôler si le montage d'éclairage est correct avant de demander à un spécialiste de venir pour réparer.

Si l'éclairage n'est pas allumé, veuillez contrôler si le montage d'éclairage

est correct avant de demander à un spécialiste de venir pour réparer.

Modèle avec LED

Cet extracteur adopte le système d'éclairage basé sur la technique LED.

LED peut garantir une durée de service de 10 fois plus grande que celle pour l'éclairage traditionnel en maintenant un état d'éclairage optimal, économiser 90% de l'énergie électrique.

Veillez contacter avec le service technique en cas de remplacement.

## SP - Instrucciones sobre la instalación y el uso

**Antes de usar este producto, lea cuidadosamente el *Instrucciones sobre el uso, por favor*.** En caso de cualquier pérdida personal o a la propiedad debido a montaje o uso inadecuado, el fabricante no asume responsabilidad alguna. El diseño de este producto es sólo para uso doméstico.

**Si hay diferencias entre el producto y el dibujo, prevalecerá el objeto real. los iconos de los diferentes productos, por favor, prevalecen en especie. Nada que ver con la instalación, uso y cuidado las instrucciones no coinciden con las características descritas, por favor prevalecer en especie. En caso de cualquier inconsistencia entre las instrucciones sobre la instalación, el uso, el mantenimiento y las descripciones de características, también prevalecerá el objeto real.**

**! Guarde bien este *Instrucciones sobre el uso* para la referencia en el futuro o el transferido al usuario próximo, por favor.**

! Para que pueda montar y usar adecuadamente este producto, lea cuidadosamente estas instrucciones, por favor.

! No aplique partes eléctricas o mecánicas que no combinen en este producto o el tubo de escape.

! Antes de la instalación, confirme si hay cualquier daño de todas las partes, por favor. Si hay, deje inmediatamente la instalación y póngase en contacto con el distribuidor, por favor.

**Nota:** Todos los accesorios con "(\*)" son opcionales que vendrán adjuntados en algunos productos y se venderán por separado para otros productos.



### Advertencia

**¡Advertencia!** Antes de terminar la instalación, no conecte el producto con otro equipo eléctrico, por favor.

Antes de la limpieza o el mantenimiento, desenchufe la potencia o desconecte el producto con la fuente de energía, por favor.

Durante la instalación y el mantenimiento, llévase guantes de protección para prevenir lesión en el dedo en el proceso de limpieza, por favor.

No permite a niños, personas de debilidad física, derelictos o quienes carecen de experiencia a usar la capucha en el caso de desatendida.

Este producto es diseñado para los adultos y no permite que los niños se acerquen. Este producto es diseñado para los adultos y no permite que los niños la toquen o jueguen con el al azar.

No use este producto antes de la instalación efectiva de estufas.

No use este producto como superficie de apoyo a menos que se indique especialmente lo contrario.

Asegúrese de una buena ventilación del cuarto durante el uso conjunto de la capucha y otro equipo gasóleo, por favor.

Es prohibido el compartido de un mismo tubo de humo entre la capucha y otro equipo gasóleo.

No cocer los alimentos directamente debajo de la capucha.

Es absolutamente prohibida que el fuego hornee directamente la plantilla, lo que puede producir fácilmente incendios.

Evite sobrecalentamiento o ignición de aceite de cocina al fritar comidas.

Cuando se usa equipo de cocina, es posible que la pieza de la capucha cerca de la fuente de calor se caliente.

Todas las actividades técnicas y de seguridad relativas a la emisión de gas y humo deben ser completadas en estricta conformidad con los requisitos de las autoridades locales.

La capucha, incluyendo las superficies interna y externa, debe ser limpiada regularmente (una vez cada mes por lo menos).

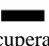
Las actividades de mantenimiento deben ser realizadas en estricta conformidad con las estipulaciones en las instrucciones, con el objetivo de evitar la producción de incendios.

Para evitar el peligro de descarga eléctrica, no utilice capucha con lámpara de mala instalación, por favor.

En casos de todos los problemas, pérdidas a la propiedad o incendios causados por la falta de cumplimiento de las instrucciones, el fabricante no resume ningún responsabilidad.

Este producto cumple con las disposiciones pertinentes de la *Política europea 2002/96/CE de Directiva sobre tratamiento de residuos de aparatos eléctricos y electrónicos* (WEEE). Los residuos deben ser tratados efectivamente en cumplimiento con el principio de no dañar al medio ambiente y la salud humana.



Todos los productos y documentos pertenientes con marca de  no pueden ser tratados al zarr como basura de vida, sino de manera de recuperación de productos eléctricos y electrónicos. Todos los residuos deben tratarse en cumplimiento con las regulaciones de medios ambiente.

Para otras preguntas sobre el tratamiento y la recuperación correcta de productos, consulte los locales departamientos competentes o puntos de venta.

### Instrucciones sobre el uso

Esta capucha es designada especialmente para el uso de emisión o filtro de gas y humo.



### Estilo eflujo

En este caso, se puede conectar el tubo especial con el anillo de conexión en la parte superior de la capucha para emitir el gas y humo afuera.

**¡Nota!** el tubo de emisión es opcional y se vende por separado.

Los diámetros del tubo y el anillo de conexión tienen que ser iguales.

Incline ligeramente (por más o menos 10°) el tubo horizontal y hágallo extender fuera del cuerto para emitir el gas y humo.

Nota! Si la capucha está instalada con un neto de carbón activado, se debe removerlo antes de la instalación.

Conecte la capucha con la salida emisoria de apertura equivalente al tamaño de la lumbrera de escape (interfaz de transferencia) en la pared.

Si el tamaño de la salida emisoria es demasiado pequeño, la fuerza de adsorción será reducido y se producirá mucho ruido cuando se inserta el tubo en la salida. En casos de cualquier problema causado por lo dicho arriba, el fabricante no resume ningún responsabilidad.

! Las longitudes de todos los tubos no pueden ser inferiores a las especificadas.

! Es mejor que no se instale ningún codo en cualquier tubo (el mayor ángulo de flexión: 90°)

! No haga grandes modificaciones en la sección transversal de tubo.

! Las paredes interiores de todos los tubos deben ser suaves suficientemente.

! El material de todos los tubos deben cumplir con las disposiciones normativas.



### Estilo de circulación interna

En este caso se necesita el neto de carbón activado que se puede obtener desde el distribuidor.

La grasa y olor del gas y humo, tras la adsorción del neto de carbón activado, son emitido afuera a través del neto externo.

### Instrucciones sobre la instalación

La distancia mínima entre la superficie de apoyo de los utensilios de cocina de la estufa eléctrica y la parte inferior de la capucha debe ser 50cm. La distancia mínima en casos de estufa de gas o estufa de gas mezclado debe ser 65cm.

Si en el superficie de cocción en la cocina ha estado marcada la distancia desde la capucha, tómela como estándar.

De acuerdo con el dibujo de instalación y perforación, perfóre 6 agujeros de 10mm de diámetro y 50mm de profundidad con taladro del impacto en la posición correspondiente de la capucha en la pared, entere tubos de expansión, fije la placa de gancho de máquina completa y el gancho de la cubierta decorativa en la pared con tornillos de madera. Después de la instalación, inspeccione si están horizontales la placa de gancho de máquina completa y la placa de fijación decorativa. (Figura 1-5)

Refiriéndose a instalar el patrón de agujeros de montaje en el capó de la posición correspondiente en la pared con un impacto de perforación de profundidad de 10 mm de diámetro de agujero perforado de 50 mm 6, por el que se un buen tubo de expansión, tornillos todo el gancho con paneles de madera y gancho de la cubierta decorativa fijado a la pared, compruebe la máquina después de la instalación de ganchos y la placa de montaje de placa cubierta decorativa es de nivel (Figura 1-5)

Este producto es aplicable para la estufa de seis quemadores.

La limpieza de la plantilla de acero inoxidable

Figura 12

Al desmontar el neto de aceite, tírelo hacia fuera con las manos agarrando la parte inferior de la placa del neto para que la estructura de hebilla despegue y torne abajo por más o menos 80° cuando la placa de neto esté limitada. Luego empuje ligeramente la cerradura de muelle con un destornillador cruz o una herramienta similar para sacar la placa; Durante limpieza cotidiana, se puede limpiar la superficie externa de la placa con gasa suave, detergente neutral o de alcalino débil, agua cálida.



### Conexión eléctrica

La fuente de energía principal debe cumplir con los requisitos de valores nominales marcados en la tarjeta de circuitos de la capucha. Si la capucha está equipada con macho, conéctelo con la hembra y fíjelo en una posición alcanzable de acuerdo con la existente figura de regulación de corriente después de la instalación. Si la capucha no está equipada con macho (conectado directamente a la fuente de energía) o el macho no ha sido fijado en una posición alcanzable, se puede, de acuerdo con las disposiciones de instalación, utilizar un interruptor

bipolar que cumpla con requisitos normativos, con el fin de asegurar la desconexión de la fuente de energía principal cuando la corriente supere clase III.

**¡Advertencia!** Antes de reconectar la fuente de energía principal y la capucha y inspeccionar si funciona eficientemente, revise cuidadosamente si el cable de fuente de energía esté conectado de manera correcta.

Este producto está equipado de exclusivo cable de fuente de energía: Si el cable está dañado, para evitar peligros posibles, se tiene que contactar con personal profesional de organización de mantenimiento para reemplazarlo.

### Antes de la instalación

#### Antes de la instalación

Inspeccionar si los tamaños del producto cumplen con los requisitos de la posición de instalación.

Si está instalado un neto de carbón activado, remuévalo primero, por favor. El neto de carbón activado es usado sólo para la función de filtro.

Inspeccionar si existe cuerpo extraño en el interior de la capucha (por razones de seguridad, por ejemplo, bolsa de tornillos (\*), tarjeta de garantía (\*), etc.). Si existe, sáquelo para su custodia.

Si es posible, no precipítese a conectar la capucha, por favor. Remueva primero producto dependiente o de succión lateral desde la apertura del gabinete hasta otro lugar para facilitar la conexión entre la capucha y la pared o el techo. También es bueno poner una cubierta protectora gruesa a la encimera/estufa/capucha para evitar que la caída de fragmento dañe la encimera/estufa/capucha. Monte el producto en lugar piso y ponga una cubierta protectora por arriba que guarda todas las partes con borde adentro. Además, verifique si hay hembra alrededor de la posición de instalación de la capucha (o dentro del alcance de la capucha) y si la hembra puede asegurar la conexión de la posición de emisión de la capucha y el muncho exterior.

Complete todos los trabajos de montaje (como la instalación de hembra/agujero del tubo de emisión).

Utilice eschufes de expansión en la pared/el techo para proteger la capucha. Sin embargo, el material debe ser decidido por personal profesional con el fin de asegurar que la pared/el techo tenga fuerza suficiente para soportar el peso de la capucha.

### Instrucciones sobre la operación

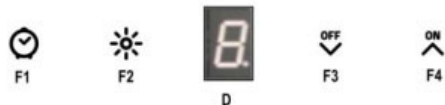
Se puede elegir la velocidad alta para absorber el humo de aceite en la cocina. Es recomendado encender la capucha 5 minutos antes de la cocción y mantenerla encendida hasta 15 minutos después del fin de cocción para la adsorción completa del humo de aceite.

### Interface de muestra de funciones



- p. Botón de velocidad alta del motor – para aumentar la velocidad de nivel primero hasta el nivel tercero.
- q. Botón de velocidad baja del motor – para reducir la velocidad del motor.
- r. Botón de fuente de energía – para encender o apagar la fuente de energía.
- s. Botón de lámpara – para encender o apagar la lámpara y se puede controlar independientemente.
- t. Botón de prolongación – Al iniciar la función de prolongación se enciende el motor al mismo tiempo y se desactiva todas las funciones 3 minutos después.

### Interface de muestra de funciones



**F1 –Encendido/apagado de la función de temporización.** (cortar/apagar automáticamente)

Al iniciar la función de temporización se enciende el motor al mismo tiempo (bajo cualquier velocidad); el motor se para automáticamente después de 5 minutos de funcionamiento.

Durante el período de temporización, la pantalla de muestra presenta el resto de tiempo en forma de minuto (intermitente). Si se necesita a terminar la función de temporización, presione el botón de F1 con 5 minutos de antelación. Nota: cuando se apaga manualmente el motor (utilizando el botón de F3), no va a cancelar la función de temporización.

**F2 –Encendido/apagado de la lámpara**

Se puede usar para encender/apagar la lámpara

**F3 –Reducir la velocidad de / apagar el motor**

Reducir la velocidad del motor hasta apagarlo completamente.

**F4 –Encender / aumentar la velocidad del motor**

Se puede encender el motor y aumentar la velocidad del primer nivel hasta el tercer nivel.

**D – Pantalla de muestra**

Puede mostrar:

- la revolución del motor

- El resto de tiempo de trabajo bajo la función de temporización.

### Instrucciones sobre el mantenimiento

**¡Nota!** Antes del mantenimiento, asegúrese de que su capucha haya estado apagada y desconectada de la fuente de energía.

### Instrucciones sobre la limpieza

La capucha debe ser limpiada regularmente por el usuario mismo o personal profesional (por lo menos conjuntamente con el mantenimiento de neto de filtro de aceite). Durante la limpieza, utilice un paño humedecido con detergente neutral. No utilice paño esmeril. ¡Es absolutamente prohibida el uso de alcohol!

**Advertencia:** Si no se limpia la capucha de acuerdo con las instrucciones, se pueden producir incendios.

Por lo tanto, recomendamos que limpie la capucha en estricta conformidad con las instrucciones.

En caso de cualquier daño de motor o pérdida por incendios debido a mal mantenimiento o falta de cumplimiento de recomendaciones de seguridad, el fabricante no resume ningún responsabilidad.

### Filtro de aceite

**Se usa para la adsorción de las partículas de grasa en el humo de aceite**

El neto de filtro de aceite necesita a ser limpiado con detergente no corrosivo una vez cada mes (o cuando el sistema de indicación de saturación del filtrador indique la necesidad de limpieza). También se puede limpiar con manos, o lavavajillas, pero en condición de temperatura y ciclo bajo de la lavavajilla. La limpieza con lavavajillas puede resultar descoloración ligera del neto de filtro de aceite, pero no produce ningún daño al efecto de filtro del neto.

Al quitar el neto de filtro, empuje primero la manija de liberación de primavera en la placa de neto y luego empiece el desmontaje del neto de filtro de aceite.

### Neto de carbón activado

#### Dibujo14

**Se puede usar para la eliminación de olor peculiar producido durante la cocción**

Este neto de carbón se puede limpiar cada dos meses con agua caliente añadida con detergente de cantidad apropiada, y también se puede limpiar por lavavajillas, pero en condición de temperatura de trabajo de 65° de la lavavajilla (Si se utilice lavavajilla, debe remover primero las vajillas).

En condición de no dañar el neto de carbón, drene el agua excesiva en el neto de carbón, y luego póngalo en un horno para secarlo. Establezca la temperatura del horno a 10°C y el tiempo a 10 minutos. Reemplace estera cada tres años o cuando el paño esté dañado.

#### • Manera de montaje

Monte el neto de carbón en la parte trasera de la placa de neto y fije los 4 mandriles.

**¡Nota!** Los mandriles no están instalados en la capucha, sino dentro de la bolsa de neto de carbón.

- Al quitar el neto de carbón, repite los pasos arribas en orden inverso.

### Reemplazo de lámpara

Antes del reemplazamiento, asegúrese de que su capucha haya estado apagado y desconectado de la fuente de energía, por favor.

**¡Advertencia!** Antes de reemplazar la bombilla, asegúrese de que haya sido enfriada completamente.

Reemplace on bombillas del mismo modelo. El modelo de la bombilla se puede ver en la etiqueta o la superficie de la capucha alrededor de la bombilla.

**1.** Inserte un pequeño destornillador de cabeza plana en el círculo de la lámpara, haga palanca ligera hacia fuera y quite el eschufe del conector para quitar la lámpara.

**2.** Quite la bombillas rota y reemplace con una lámpara LED del mismo modelo. Las especificaciones de la lámpara LED es 12 V,1W(máximo).

Complete este trabajo de acuerdo con las instrucciones de embalaje, por favor, y no toque la nueva bombilla con las manos desnudas.

**3.** Remonte la pantalla de lámpara (con un sonido *pa* de cierre).

Si la lámpara no ilumina, inspeccione primero si está montada correctamente antes de la llegada de personal profesional de mantenimiento, por favor.

### Molelo con la luz LED

Este tipo de turbina de gas de combustión se equipa con el sistema de iluminación basado en la tecnología LED.

El LED puede garantizar el mejor estado de iluminación, y el tiempo de funcionamiento continuo es de 10 veces que las lámparas de iluminación tradicionales, lo que ahorra el 90% de la energía eléctrica.

Por favor póngase en contacto con el servicio técnico si necesita el reemplazo.

## IT - Istruzione della installazione e dell'uso

**Prima di usare questo prodotto, si prega di leggere attentamente il presente manuale.** Per gli eventuali danni alle persone o ai beni a causa della impropria installazione e dell'uso improprio, il produttore declina ogni responsabilità. Il prodotto è stato progettato esclusivamente per uso domestico.

**Se il prodotto è diverso dalle immagini, si prega di seguire il prodotto. Qualsiasi cosa non corrisponde con le descrizioni della installazione, dell'uso o della manutenzione, si prega di seguire il prodotto.**

! Conservare il presente manuale per consultare o trasferirlo al prossimo utente del prodotto.

! Al fine di un uso corretto e sicuro del prodotto, si prega di leggere le istruzioni del presente manuale.

! Non utilizzare i componenti elettrici o meccanici che non corrispondono al prodotto o al tubo di scarico.

! Prima di installare, si prega di confermare se ci siano i componenti danneggiati. Se ci sono i componenti danneggiati, si fermi e contatti subito con il rivenditore.

**Attenzione:** i componenti con il segno “(\*)” sono opzionali, vengono forniti per alcuni prodotti. Per gli altri prodotti, bisogna comprarli.

### **attenzione**

**Attenzione!** Non collegare gli altri prodotti elettrici prima di finire la installazione.

Prima della pulizia o manutenzione, staccare la spina o il cavo di alimentazione.

Durante il lavoro della installazione e manutenzione, indossare per favore i guanti protettivi per evitare di essere ferita nel processo di pulizia.

Non lasciare i bambini, i deboli, i deliranti e le persone che mancano le esperienze usare questa cappa ispirante senza essere badati.

Questo prodotto è progettato principalmente per gli adulti, non lasciare i bambini essere vicini.

Questo prodotto è progettato principalmente per gli adulti, non lasciare i bambini toccare e giocare.

Prima di installare completamente il prodotto, non usarlo.

Salvo le indicazioni speciali, non usare questo prodotto come un superficie di appoggio.

Se usato in combinazione con altre attrezzature, ci deve essere una buona ventilazione di ambienti.

E' proibito di condividere la canna fumaria con gli altri apparecchi.

Non arrostiti direttamente il cibo sotto la cappa ispirante.

E' proibito di arrostiti la rete direttamente con il fuoco per evitare l'incendio.

Quando frigge i cibi, deve evitare il surriscaldamento dell'olio.

Quando si usa le attrezzature da cucina, è possibile che i componenti vicini a fonti di calore si surriscaldarsino.

Si prega di seguire rigorosamente le normative locali per le emissioni del fumo.

La cappa ispirante dovrebbe essere pulita periodicamente, comprese le superfici interne ed esterne (almeno una volta al mese).


Le manutenzione della cappa ispirante deve essere seguita rigorosamente in conformità al metodo specificato nelle istruzioni, altrimenti è rischioso di un incendio.

Non usare la macchina con le lampade installate in modo non corretto per evitare il pericolo di scosse elettriche.

Qualora problema, danno ai beni o incendio causato dal mancato rispetto di queste istruzioni, il costruttore declina ogni responsabilità

Questo prodotto è conforme alle normative relative della politica europea 2002/96/CE per le disposizioni dei rifiuti di apparecchiature elettriche ed elettroniche (WEEE). Nel trattare dei prodotti di scarto, dovrebbe basarsi sui principi di innocue ambientale e della salute umana.



I prodotti e i documenti relativi con il segno , invece di essere trattati come i rifiuti quotidiani, devono essere trattati con il modo di riciclaggio dei prodotti elettrici. Tutti i rifiuti devono essere trattati in base alle normative ambientali locali.

Gli altri dubbi sulla corretta utilizzazione e sul riciclaggio del prodotto, si prega di consultare le autorità locali o la rete della vendita.

### **Istruzioni dell'uso**

La cappa ispirante è progettata per lo scarico fumario o per la filtrazione.



### **stile dello scarico estero**

In questo caso, si può collegare questo tubo speciale con la parte superiore della cappa per scaricare il fumo fuori.

**Attenzione!** La canna di scarico è opzionale, venduta separatamente. Il diametro del tubo di scarico deve essere coerente con l'anello di collegamento.

Inclinare leggermente (10 ° circa) il tubo di scarico in direzione orizzontale, estendendosi verso l'alto fuori la camera per scaricare il fumo all'esterno.

Attenzione! Se la cappa è dotata di rete del carbone filtrante, la rete deve essere rimossa prima dell'installazione.

Collegare la cappa ispirante al buco di scarico con la dimensione uguale come il buco di scarico (il buco di trasferimento).

Se la dimensione del buco di scarico è troppo piccola, si abbassa l'adsorbimento fra il tubo e il buco di scarico causando i rumori nell'inserimento del tubo.

I problemi causati dai fatti sottoscritti, il produttore declina ogni responsabilità,

! La lunghezza del tubo non deve essere inferiore a una predeterminata lunghezza.

! Si consiglia di non usare il gomito (massimo angolo: 90 gradi).

! Evitare di fare i grandi cambiamenti nella sezione trasversale del tubo.

! La parete interna del tubo deve essere liscia.

! I materiali del tubo devono essere conformi alle norme.



### **stile del riciclaggio interno**

In questo caso serve la rete del carbone filtrante che è disponibile presso il rivenditore.

La rete del carbone filtrante assorbe il grasso e l'odore nel fumo, e poi il fumo viene scaricato alla camera via la cappa esterna.

### **Istruzioni di installazione**

La distanza minima fra il supporto degli utensili di cottura sul forno elettrico e la parte più bassa della cappa deve essere di almeno 50 cm. Per le altre come il forno a gas o il forno a gas misto deve essere di almeno 65cm.

Se sul forno è già segnata la distanza con la cappa ispirante, prevale questa distanza.

In base alla figura della installazione, eseguire i 6 fori, con il diametro di 10mm e la altezza di 50cm nelle posizioni corrette con il trapano, ponendo il tubo di espansione, usando le viti a legno per fissare il pannello del ispiratore e la cappa decorativa alla parete. Si prega di controllare se il pannello del ispiratore e la piastra della cappa decorativa siano dello stesso livello dopa finita la installazione. (figura 1-5)

Questo prodotto può essere applicato a sei forni.

La pulizia del pannello della rete di acciaio inossidabile figura 12

Quando si deve togliere la rete dell'olio, tenere il basso del pannello a rete a tirare fuori, in modo che il gancio a fissare la rete dell'olio giri giù da circa 80 gradi, a quel momento, utilizzare un cacciavite o un attrezzo simile per spingere leggermente il blocco per rimuovere il pannello; per la pulizia quotidiana, si può usare la garza molle, detergente neutro o alcalino e l'acqua tiepida per pulire la superficie esterna della rete.



### **collegamento elettrico**

La rete elettrica deve essere coerente con il numero predisposto. Se la cappa è dotata di spina, si prega di collegare la presa e la spina in base alla figura di regolazione del corrente fissandola in una posizione accessibile dopo la installazione. Senza la spina (direttamente collegato alla rete elettrica), o dopo la installazione non è fissata a una posizione accessibile, è possibile utilizzare un interruttore bipolare coerente con lo standard in base ai requisiti della installazione per garantire che il ispiratore si stacchi con la rete elettrica quando nel caso che la corrente superi Livello III.

### **Attenzione!**

Prima di collegare la rete elettrica con il circuito del ispiratore e di controllare se il ispiratore possa funzionare efficientemente, si prega di controllare se i cavi di alimentazione siano collegati correttamente. Il prodotto è dotato dei cavi speciali: se il cavo di alimentazione è danneggiato, al fine di evitare il pericolo, si deve contattare le persone qualificate della organizzazione di servizio professionale per sostituirli.

### **Avvertenze prima della installazione**



## Avvertenze prima della installazione

Controllare che la dimensione del prodotto sia conforme ai requisiti del luogo della installazione.

Se è dotato della rete del carbone filtrante (\*), si prega di rimuoverla (vedi il paragrafo relativo). La rete del carbone filtrante è limitato solo per uso di filtrazione.

Verificare se ci sono gli altri oggetti all'interno della cappa ispirante (per motivo di trasporto, quali pacchetto di viti (\*), scheda di garanzia (\*), ecc.). In caso affermativo, si prega di conservarli correttamente. Se possibile, si prega di non fare subito la connessione del prodotto, prima spostare il prodotto stand-alone dal luogo dove c'è il foro a un altro luogo per facilitare il collegamento alla parete o al soffitto. O mettere una grosso coperchio di protezione sul piano di lavoro / piano cottura / ispiratore, per evitare che i frammenti rompano il piano di lavoro / piano cottura / ispiratore. Scegliere un posto pianeggiante per la installazione della cappa ispirante, mettendo sopra una coperchio di protezione, all'interno mettere tutti i componenti del ispiratore. Inoltre, controllare se vicino(o dov'è e accessibile per la cappa ispirante) alla posizione del ispiratore c'è la presa o la spina per collegare i dispositivi di scarico all'estero.

Finire tutti i lavori di muratura necessari (come l'installazione di prese e / o eseguire il foro di scarico).

E poi utilizzare la tappa di espansione sulla parete / soffitto per proteggere la cappa ispirante. Tuttavia, il materiale deve essere decisa da una persona qualificata per garantire che la parete / soffitto possa sopportare il peso della cappa ispirante.

## Istruzioni per l'uso

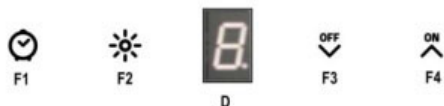
Utilizzare la funzione velocità per assorbire i fumi nella cucina. Si consiglia di aprire l'ispiratore 5 minuti prima di cuocere fino a quando finisce di cuocere, e poi lasciare la cappa ispirante aperta 15 minuti per garantire che i fumi siano completamente assorbiti.

## Interfaccia delle funzioni



- u. pulsante di alta velocità del motore – accelerare la velocità da livello 1 fino a livello 3.
- v. Pulsante di bassa velocità del motore - ridurre la velocità.
- w. pulsante di alimentazione -. utilizzato per accendere e spegnere la corrente.
- x. pulsanti di illuminazione -. utilizzati per accendere e spegnere le luci, possono essere controllati in modo indipendente.
- y. pulsante di ritardo -. sarebbe temporaneamente avviato il motore quando la funzione di ritardo è attivata, tre minuti dopo si spegnono tutte le funzioni.

## Interfaccia delle funzioni



### F1 –Funzione timer on / off (spegnimento automatico / off)

Sarà contemporaneamente avviato il motore (a qualsiasi velocità) quando è attivata la funzione timer, ed il motore si spegne automaticamente dopo 5 minuti.

Durante la funzione di timer, il pannello di visualizzazione mostra il tempo di lavoro rimanente in minuti (lampeggiante).

Per terminare la funzione di timer, premere di nuovo il pulsante F1 5 minuti prima. Attenzione: Quando si spegne manualmente il motore (con il pulsante F3), la funzione di timer non termina.

### F2 –illuminazione on / off

Per accendere e spegnere le luci di illuminazione.

### F3 –Ridurre la velocità del motore on / off

Ridurre la velocità del motore fino a completo spegnimento.

### F4 –On / accelerare la velocità del motore

È possibile avviare il motore e lo accelera da livello 1 a livelli 3.

### D – lo schermo

si visualizza:

- La velocità della girata del motore
- Il tempo rimanente per la funzione di timer

## Istruzioni della manutenzione

**Attenzione!** Prima della manutenzione, si confermi che il Suo ispiratore

sia spento e si stacchi dalla rete elettrica.

Se il prodotto è ancora collegato alla presa, è necessario di staccarla prima.

## Istruzioni della pulizia

La cappa ispirante deve essere pulita periodicamente da Lei o dalle persone qualificate(almeno deve essere eseguitacontemporaneamente con la manutenzione della rete di filtro).

Durante la pulizia, si prega di usare un panno inumidito con un detergente neutro per pulirla. Non usare la garza. **Proibito di usare l'alcool!**

**Attenzione:** Se non rispettano le istruzioni del manuale per la pulizia, è pericoloso di un incendio.

Quindi la consigliamo di seguire rigorosamente le istruzioni prescritte per la pulizia.

Per i danni del motore o danni da fuoco causati dalla impropria manutenzione o dal mancato rispetto dei consigli per la sicurezza, il produttore declina ogni responsabilità .

## Rete filtrante dell'olio

### Per assorbire le particelle oleose nei fumi.

Bisogna pulire la rete filtrante dell'olio una volta al mese con il detergente non aggressivo( o il sistema della indicazione di saturazione del filtro mostra che c'è un bisogno, se sul prodotto c'è questo dispositivo).

Si può pulire sia direttamente con le mani sia con la lavastoviglie, ma solo se la lavastoviglie sia impostata a bassa temperatura e basso ciclo. Pulire con la lavastoviglie causerebbe un lieve impallidimento della rete filtrante dell'olio, ma non avrà alcun impatto sull'effetto di filtraggio della rete filtrante dell'olio.

Quando si rimuove la rete filtrante dell'olio, si prega di girare la maniglia a molla sul pannello, e poi eseguire il lavoro della demolizione della rete filtrante dell'olio.

## La rete del carbone filtrante

### figura 14

### Per assorbire gli odori strani generati durante la cottura.

La rete viene pulita con l'acqua calda aggiungendo il detergente ogni due mesi, si può usare anche la lavastoviglie per la pulizia ma solo nella temperatura 65 °C (Se usare la lavastoviglie, serve selezionare la funzione ciclo completo e svuotarla).

Senza danneggiare la rete di carbonio, scaricare l'acqua eccessa nella rete di carbonio, e poi metterlo in forno ad asciugare. Impostare la temperatura del forno a 100 °C, tempo di 10 minuti. Il caso di rottura della stoffa o ogni tre anni si deve cambiare il tappeto.

### • metodo di installazione

Montare la rete di carbonio sul retro della rete e fissare le quattro canne.

**Attenzione!** La canna deve essere montata sulla tasca della rete di carbonio, non la cappa ispirante.

- Ripetere i passaggi sopraindicati in ordine inverso per rimuovere la rete di carbonio.

## Cambiare le lampadine

Prima di cambiare, si assicuri di aver spento il ispiratore e aver staccato l'alimentazione.

**Attenzione!** Prima di cambiare la lampada, si assicuri che sia completamente fredda.

Si prega di cambiare una lampadina dello stesso tipo, il tipo della lampadina può essere trovata sull'etichetta o alla superficie dell'ispiratore vicino alla lampadina.

1. Inserire un piccolo cacciavite a testa piatta, girare leggermente estraendo il connettore per rimuovere la lampadina

2. Sostituire la lampadina danneggiata con una lampadina LED dello stesso tipo. Il tipo della lampadina è 12V,1W (al massimo).

Si prega di seguire le istruzioni sulla confezione, non toccare la nuova lampadina con le mani nude.

3.Rimettere a posto il coperchio della lampadina (con un suono "Pa")

Se la lampadina non illumina, prima di chiamare alle persone qualificate, si prega di controllare se la lampadina sia installata correttamente.

Se la lampadina non illumina, prima di chiamare alle persone qualificate, si prega di controllare se la lampadina sia installata correttamente.

## Modello con la LED lampada

Tale cappa ispirante è dotata del sistema dell'illuminazione basata alla tecnologia di LED.

La lampada LED garantisce una ottima illuminazione, e sul tempo continuo è 10 volte di una lampada normale tradizionale, risparmiando 90% dell'energia elettrica.

Per la sostituzione, si prega di contattare il servizio tecnico.

**Перед початком використання даного продукту, уважно прочитайте цей посібник з експлуатації.** Виробник не несе жодної відповідальності при нанесенні матеріальної чи фізичної шкоди в процесі неправильного монтажу або експлуатації.

**У разі невідповідності продукту його графічному зображенню, реальна річ приймається за стандарт. У разі невідповідності опису особливостей монтажу, експлуатації продукту, догляду за продуктом з реальною річчю, реальна річ також приймається за стандарт.**

! Зберігайте даний посібник з експлуатації належним чином, щоб, у разі потреби, ознайомитися з його змістом або ж передати його наступному користувачу цього продукту!

! Задля забезпечення правильного та безпечного застосування даного продукту, уважно прочитайте його посібник з експлуатації!

! Не застосовуйте до даного продукту або до труби відводу диму невідповідні електричні або механічні деталі!

Перед монтажем переконайтеся в тому, що комплектуючі частини даного продукту не пошкоджені. Якщо ж пошкодження помічені, негайно припиніть монтаж та зв'яжіться з виробником.

**УВАГА:** всі компоненти з позначкою «(\*)» є додатковими деталями.

Частина продукції має дані компоненти у комплекті. У разі їх відсутності, необхідно придбати дані деталі додатково.

#### **УВАГА**

**Увага!** Не приєднуйте даний продукт до інших електроприладів до завершення процесу його монтажу.

Перед здійсненням чистки чи ремонту, висмикніть вилку електроживлення продукту або роз'єднаєте його з джерелом електроживлення.

Перед здійсненням монтажу або ремонту, надіньте захисні рукавиці, щоб не пошкодити пальці рук.

При відсутності відповідного нагляду, не дозволяйте дітям або людям з проблемами здоров'я, людям похилого віку, а також користувачам з браком досвіду користуватися експлуатувати кухонну витяжку.

Даний продукт розроблений для використання дорослими людьми, не дозволяйте дітям наближатися до нього близько.

Даний продукт розроблений для використання дорослими людьми, не дозволяйте дітям свавільно доторкатися до продукту або грати з ним. У разі якщо плита ще не була встановлена, не використовуйте даний продукт.

За винятком особливих випадків, не застосовуйте даний продукт як підпору.

Під час використання кухонної витяжки разом з іншим газовим обладнанням, приміщення має добре провітрюватися.

Заборононо використовувати однаковий димар для даної продукції та іншого газового обладнання.

Не смажте продукти харчування безпосередньо біля основи кухонної витяжки.

Безпосередній контакт вогню з сіткою заборонений, це може викликати пожежу.

Під час смаження продуктів харчування, необхідно уникати перегріву харчової олії або ж її займання.

Під час приготування їжі, близькі до джерела тепла деталі кухонної витяжки можуть нагріватися.

Технологія виводу димового газу і безпека даного процесу, повинні чітко відповідати вимогам місцевих органів.

Процес чищення кухонної витяжки повинен здійснюватися регулярно. Необхідно чистити внутрішню і верхню поверхню як мінімум один раз на місяць.

Ремонт повинен здійснюватися чітко за інструкцією, у іншому випадку можливе виникнення займання.


Не потрібно встановлювати кухонну витяжку при світлі ліхтарика, це може спричинити ураження електричним струмом.

Виробник не несе відповідальності за будь-які проблеми, що виникли у зв'язку з відмовою від дотримання даних інструкцій, а також за нанесений матеріальний збиток або виникнення пожежі з таких самих причин.

Даний продукт відповідає правилам 2002/96/ЕС європейського стандарту директиви з утилізації (WEEE) для електричної продукції.

При утилізації застарілої продукції, необхідно дотримуватися відповідних принципів, щоб не нанести шкоди навколишньому середовищу і людському здоров'ю.



Вся продукція та відповідні документи, що мають позначку , не можна утилізувати у спосіб, однаковий з утилізацією звичайних побутових відходів. Їх утилізацію необхідно здійснювати відповідно до вимог до утилізації електричної продукції. Утилізацію всіх відходів необхідно здійснювати відповідно до місцевих законів з охорони навколишнього середовища.

При необхідності отримання відповідей на всі інші питання, що стосуються утилізації продукції, звертайтеся за консультацією до відповідних місцевих органів або торгової мережі.

#### **Інструкція з експлуатації**

Дана кухонна витяжка розроблена спеціально для відводу диму або фільтрації.



#### **Виведення назовні**

При виведенні назовні, можна приєднати відповідну трубу до верхньої частини кухонної витяжки через стикувальне кільце, для того, щоб відвід диму здійснювався назовні.

**УВАГА!** Випускна труба є додатковою деталлю і купується окремо. У поперечному розрізі випускна труба повинна відповідати стикувальному кільцю.

Трохи (приблизно на 10 °) нахиліть горизонтальну вихлопну трубу, і відразу ж витягніть її вгору назовні, для того, щоб дим вийшов назовні. Увага! Якщо кухонна витяжка в комплекті має рухливу сітку для сажі, її необхідно витягнути перед початком здійснення монтажу.

Приєднайте кухонну витяжку до випускного отвору відповідного діаметру в стіні.

У разі якщо розмір випускного отвору занадто малий, це може спричинити зниження адсорбційної здатності труби і випускного отвору. У такому випадку можливе виникнення сильного шуму при введенні труби в випускний отвір.

Виробник не несе відповідальності за проблеми, що виникли з цих причин.

! Довжина труби, що використовується, не повинна бути менше встановленої довжини.

! Труба, що використовується, бажано повинна бути не вигнутою (максимальний кут вигину: 90 градусів).

! Уникайте деформації труби у поперечному перерізі.

! Внутрішні стіни труби, що використовується, повинні бути достатньо гладкими.

! Матеріал, з якого виготовлена труба, повинен відповідати вимогам стандарту.



#### **Внутрішня циркуляція**

При внутрішньої циркуляції необхідно мати в наявності рухливу сітку для сажі, її можна купити додатково

Жир, наявний в димі, і запах диму буде адсорбований за допомогою сітки для сажі, і потім виведений в приміщення, пройшовши зовнішній сітчастий ковпак.

#### **Інструкція з монтажу**

Мінімальна відстань між поверхнею електричної плити (куди ставиться кулінарне начиння) і нижньою частиною кухонної витяжки повинно бути не менше 50 сантиметрів. З іншими видами плит, наприклад газовою плитою, мінімальна відстань повинна бути не менше 65 см.

Якщо ж відстань між кухонною витяжкою і плитою із самого початку вже було позначено, то дана відстань приймається за стандарт.

Відповідно до малюнка «Монтаж: свердління отворів», в стіні, на яку буде встановлена кухонна витяжка, у відповідних місцях, за допомогою перфоратора, просвердліть 6 отворів діаметром 10 мм і глибиною 50 мм, вставте дюбелі. Потім за допомогою саморізів надійно закріпіть на стіні гаки для пристрою і гаки для декоративного ковпака. Перед завершенням монтажу, переконайтеся в тому, що кроки для пристрою та кріпильна пластина декоративного ковпака встановлені горизонтально. (Малюнок 1-5)

Даний продукт застосовується для плит з шістьма конфорками.

Очищення сітки з нержавіючої сталі

Малюнок 12

Щоб зняти сітку для масла, міцно візьміться обома руками за нижню частину сітки і потягніть назовні, поверніть вниз затискачі сітки більше ніж на 80 градусів. Потім за допомогою хрестової викрутки або

інструменту такого типу не поспішаючи відкрутіть пружинний фіксатор. Тепер можна зняти сітку. При щоденному чищенні можна протирати зовнішню поверхню сітки ганчіркою з м'якої тканини з середньо або слабобульним миючим засобом і теплою водою.

### Електричне з'єднання

Основне живлення має відповідати номінальному значенню на схемі живлення кухонної витяжки. Якщо кухонна витяжка має в комплекті штепсельну вилку, то після завершення монтажу, відповідно за наявною схемою «Стабілізація струму», ввести її у розетку, і зафіксувати у місці можливого з'єднання. Якщо ж вилки в комплекті немає, (напряму з'єднайте з джерелом струму) або ж після завершення установки зафіксуйте її в місці можливого підключення, відповідно до установочних вимог, можна використовувати стандартний двополюсний вимикач, що забезпечить повне відключення від основного електроживлення при перевищенні електричним струмом III рівня.

**Увага!** Перед повторним з'єднанням електроланцюга кухонної витяжки з основним живленням, та перед перевіркою можливості високоефективного функціонування, переконайтеся в тому, що шнур живлення підключений правильно.

У комплекті з цим продуктом наявний спеціальний шнур живлення. Якщо шнур живлення пошкоджено, щоб не піддаватися ризику, обов'язково зв'яжіться з відділом технічного обслуговування для заміни шнура.

### Перед монтажем варто знати

#### Перед монтажем варто знати

Перевірте, чи відповідають розміри продукту вимогам до місця монтажу.

Якщо в у комплекті наявна рухома сітка (\*), спочатку приберіть її (див. відповідний розділ). Рухома сітка використовується лише у випадку застосування функції фільтрації.

Перевірте, чи немає всередині кухонної витяжки зайвих предметів (наприклад, коробочка з болтами (\*), гарантійний талон (\*) і так далі). Це необхідно для забезпечення нормальної транспортної роботи. Якщо є, будь ласка, витягніть і зберігайте належним чином.

Якщо це можливо, не поспішайте підключати пристрій, а перемістіть продукт незалежного типу або типу бічного всмоктування із шафи в інше місце, це спростить процес приєднання до стіни або до стелі. Одягніть на стільницю / поверхню плити / кухонну витяжку щільний захисний кожух, це необхідно для того, щоб уламок, впавши вниз, не пошкодив стільницю / поверхню плити / кухонну витяжку. Для складання продукту виберіть рівне місце, а зверху накрийте його захисним кожухом, щоб всі деталі кухонної витяжки, що можуть випасти, залишилися на ньому.

Крім того, перевірте, щоб поблизу від місця установки кухонної витяжки була розетка (або ж місце, куди можна було б підключити кухонну витяжку), а також переконайтеся в тому, що за допомогою розетки можливе з'єднання пристрою випуску диму із зовнішніми пристроями.

Завершити всі необхідні роботи кладок (наприклад, монтаж розетки та / або підготовка отвору для випускної труби).

Потім у стіні / стелі закріпіть розпірні болти, це робиться з метою захисту кухонної витяжки. Однак щоб бути впевненим у тому, що кріплення на стіні / стелі витримає вантаж кухонної витяжки, їх матеріал повинен бути визначений фахівцем.

### Опис функціонування

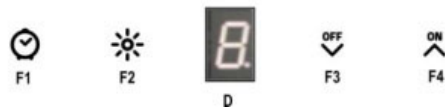
Використовується для швидкої адсорбції кухонного чада. Кухонну витяжку рекомендується включити за 5 хвилин до початку процесу приготування їжі, після завершення приготування їжі залишити витяжку включеною ще на 15 хвилин. Це необхідно для того, щоб чад адсорбувався абсолютно увесь.

### Інтерфейс функцій



- Кнопка збільшення швидкості пристрою: перемикає швидкість пристрою з швидкості 1 до швидкості 3.
- Кнопка зменшення швидкості пристрою: зменшує швидкість пристрою.
- Кнопка електроживлення: застосовується для включення і відключення електроживлення.
- Кнопка підсвітки: застосовується для включення і виключення підсвітки. Підсвітка може контролюватися незалежно.
- Кнопка продовження часу: коли запускається функція продовження часу, запускається і двигун, після завершення трьох хвилин, усі функції відключаються.

### Інтерфейс функцій



#### F1 - Функція встановлення часу включення / відключення (автоматичне відключення / вимикання)

Коли запускається функція встановлення часу, запускається і двигун (на будь-якій швидкості); двигун вимикається автоматично після 5 хвилин роботи.

Залишений час роботи (у хвилинах) мерехтливо відображається на дисплеї.

При необхідності завершення функції встановлення часу, за 5 хвилин натисніть на кнопку F1 ще раз. Увага: при ручному виключенні двигуна (використовується кнопка F3), функція установки часу не знімається.

#### F2 - Включення / вимикання підсвітки

Призначено для включення і виключення підсвітки.

**F3 - Зменшення швидкості двигуна / вимикання**  
Зменшує швидкість роботи двигуна до його повного виключення.

**F4 - Включення / збільшення швидкості двигуна**  
Може включити двигун, а також збільшувати швидкість від 1 до 3.

#### D - Дисплей

Може показувати:

- зміна швидкості двигуна

- Залишений час роботи (функція встановлення часу) **Інструкція з**

#### догляду

**Увага!** Перед проведенням ремонту, переконайтеся в тому, що Ваша кухонна витяжка вже виключена та відключена від джерела електроживлення. Якщо штепсель продукту все ще приєднаний до розетки, необхідно спочатку висмикнути штепсель.

### Інструкція з очищення

Очищення кухонної витяжки повинне здійснюватися регулярно самостійно або ж за допомогою фахівців (повинне здійснюватися, як мінімум, у той же час, що і обслуговування сітки масляного фільтра). Для очищення використовуйте ганчірку, змочену у нейтральному миючому засобі. Не використовуйте наждачну шкурку. **Заборонено використовувати спирт!**

Увага: при порушенні правил здійснення процесу очищення кухонної витяжки, вказаних в інструкції, можливе виникнення пожежі. Тому ми радимо Вам чітко дотримуватися правил очищення, які вказані в інструкції. Виробник не несе ніякої відповідальності за будь-які пошкодження пристрою або збиток від пожежі з причин неправильного догляду або зневаги рекомендаціями з безпеки.

### Сітка масляного фільтра

#### Призначено для часток жиру в адсорбованому чаді

Сітку масляного фільтра необхідно чистити один раз на місяць неагресивним миючим засобом, або ж у разі заповнення фільтра, що буде відображено за допомогою індикаторної системи (якщо в продукті є таке пристосування). Її можна помити руками або у посудомийній машині, але перед цим обов'язково необхідно виставити в посудомийній машині режим низької температури і слабкого обертання.

Використання посудомийної машини для миття може спричинити вицвітання сітки масляного фільтра, але це ніяк не вплине на ефективність фільтраційної роботи сітки масляного фільтра. Для зняття сітки масляного фільтра, спочатку порухайте пружини на сітці, щоб звільнити рукоятку, і потім зніміть сітку масляного фільтра.

### Рухома сітка для сажі

#### Малюнок 14

#### Призначений для адсорбції сторонніх запахів, які виникають у процесі приготування їжі.

Дану сітку для сажі можна очищати через кожні два місяці за допомогою гарячої води та відповідного миючого засобу. Також можна застосовувати посудомийну машину, заздалегідь обов'язково виставивши в посудомийній машині режим роботи при 65 градусах. Використовуючи посудомийну машину, необхідно вибрати функцію повного обертання і прибрати столові прилади.

За умови, що сітка для сажі не ушкоджена, дайте стекти зайвій воді, і потім помістіть її у духовку для сушки. Виставите температуру 100 градусів, і залиште сітку в духовці на 10 хвилин. Прокладку потрібно міняти через кожні три роки або при виникненні пошкоджень.

#### • Спосіб установки

Помістіть сітку для сажі на зворотному боці сітки та закріпіть 4 стрижнями.

**Увага!** Стрижні розміщені у пакеті сітки для сажі, а не на кухонній витяжці.

• Зняти сітку для сажі можна, виконуючи описані вище дії у

зворотному порядку.

### **Заміна лампочки підсвітки**

Перед заміною лампочки, переконайтеся в тому, що Ваша кухонна витяжка вже виключена та відключена від джерела електроживлення.

**Увага!** Перед заміною лампочки, переконайтеся у тому, що вона остаточно охолочла.

Нова лампочка повинна відповідати моделі колишньої лампочки, модель лампочки можна знайти на етикетці або на поверхні кухонної витяжки біля підсвітки.

- 1 . Введіть маленьку плоску викрутку в кільце, легенько зніміть назовні, витягніть з'єднувальний штепсель, тепер можна зняти саму лампочку.
- 2 . Зніміть зіпсовану лампочку і поміняйте її на LED лампочку однакової моделі . Модель LED лампочки : 12V , 1W (максимум). Далі дотримуйтеся відповідної інструкції, не торкайтесь лампочками голими руками.
- 3 . Встановіть плафон на місце (закривається по клацанню).  
У разі якщо підсвітка не яскрава, переконайтеся у тому, що лампочка встановлена правильно. При необхідності, викличте фахівця для здійснення ремонту .

### **Модель з LED технологією**

Система освітлення кухонної витяжки даного типу оснащена LED технологією.

Технологія LED є найкращою технологією освітлення на сьогоднішній день, тривалість часу роботи LED лампочок в 10 разів перевищує тривалість роботи звичайних лампочок. Технологія LED також заощаджує електроенергію.

При необхідності заміни, зверніться до технічного центру.



## نوع الدوران الداخلي

في هذه الحالة، يحتاج إلى تجهيز شبكة الكربون النشط ويمكن الحصول عليها من الموزع بعد امتصاص الدهون والرائحة في الدخان بشبكة الكربون النشط، يصرف إلى خارج الغرفة عبر غطاء الشبكة الخارجي.

## دليل التركيب

يكون أصغر مسافة بين السطح الدائم لأدوات الطبخ على الفرن الكهربائي وأدنى جزء لجهاز سحب الهواء هو 50 سم. وعلى أن تكون أصغر المسافة لأفرن الغاز أو فرن الغازات الأخرى ب 65 سم. إذا كان سطح الطبخ بالغاز للمطبخ مرزما بالمسافة عن أجهزة سحب الهواء الأخرى فيأخذ هذه المسافة كالمعيار.

قبل استعمال هذا المنتج، يرجى منكم قراءة دليل الاستعمال هذا بصورة جلية. وبالنسبة إلى الأضرار الإنسانية أو المالية الناشئة من سوء التركيب أو الاستعمال ولا يتحمل المصنع أي مسؤولية. ويستعمل تصميم هذا المنتج في داخل الصين فقط. إذا كان المنتج يختلف عما في الشكل فأخذ المادة الحقيقية كالمعيار وإن أي وصف غير مطابق مع تعليمات التركيب والاستعمال والصيانة فأخذ المادة الحقيقية كالمعيار. احفظ دليل الاستعمال جيدا لمراجعته أو تنازله إلى المستخدم الأخر. من أجل ضمان استعمال هذا المنتج بصورة صحيحة وسليمة، الرجاء قراءة دليل الاستعمال بإمعان! ممنوع استعمال الأجزاء الكهربائية أو الميكانيكية على هذا المنتج أو أنبوبية صرف الدخان. قبل التركيب، أكد ما إذا كانت قطع الغيار متضررا. وفي حالة التضرر فقف عن التركيب واتصل بالموزع. التنبيه: إن "المكونات" مع (\*) هي إكسسوارات اختياريا وبعض المنتجات تأخذها بنفسك والمنتجات الأخرى تحتاج إلى شرائها إضافيا.



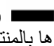
## التحذير!

قبل الانتهاء التركيب، ممنوع توصيل هذا المنتج مع الأجهزة الكهربائية الأخرى. قبل التنظيف أو الإصلاح، افصل قابس مصدر الكهرباء أو انقطع التوصيل مع مصدر الكهرباء عند التركيب والإصلاح، ارتد القفازة الواقية لتجنب تضرر الإصبع خلال عملية المسح. في حالة عدم المراقبة من قبل الآخرين، ممنوع استعمال جهاز سحب الهواء من قبل الأطفال أو الأشخاص الذين يشكون من ضعف الجسم أو النفسية أو تنقصهم الخبرات. يصمم هذا المنتج للبالغين رئيسيا وممنوع القرب بالأطفال. يصمم هذا المنتج للبالغين وممنوع لمس أو لعبه بالأطفال. قبل تركيب أدوات الطبخ، لا تستعمل هذا المنتج. باستثناء التعليمات الخاصة، ممنوع استعمال هذا المنتج كالسطح الداعم. في حالة استعمال جهاز سحب الهواء مع أجهزة الغاز والوقود الأخرى معا، على أن تكون التهوية جيدة داخل الغرفة.

ممنوع جعل هذا المنتج يستعمل نفس قناة دخان مع أدوات الطبخ الأخرى بالغاز. ممنوع تسخين الأطعمة مباشرة تحت جهاز سحب الهواء. ممنوع استعمال الفرن في تسخين اللوحة الشبكية وذلك يؤدي إلى الحريق عند قلبي الطعام، على أن تتجنب استعمال زيت الطعام بحرارة مفرطة. عند استعمال جهاز الطبخ، ربما يصبح حارا بمكونات جهاز سحب الهواء قرب مصدر الحرارة بالنسبة إلى الغنية والسلامة لصرف الدخان، على أن يطابق مع متطلبات جهة الإدارة المحلية بشكل صارم. على أن تنظف جهاز سحب الهواء دوريا ويحتوي على السطح الداخلي والسطح الخارجي (مرة واحدة كل شهر). على أن تجري الإصلاح حسب الطرق الواردة في دليل الاستعمال وإلا فهناك خطر الحريق ممنوع تركيب جهاز سحب الهواء الخطأ باستعمال مصباح الإضاءة لتجنب خطر الصدمة الكهربائية إن المشاكل وأضرار الممتلكات أو الحريق الناشئة من عدم مراعاة هذه التعليمات لا يتحمل المصنع أي مسؤولية لها.

يطابق هذا المنتج مع القواعد المتعلقة في المواصفات 2002/96/EC الأوروبية لتعليمات نفايات المنتجات الإلكترونية والكهربائية (WEEE). وعند معالجة المنتجات القديمة الخردة، على أن تجري المعالجة الفعالة حسب مبدئ عدم الضرر بالبيئة وجسم الإنسان



إن المنتجات مع علامة  والوثائق المتعلقة فلا يمكن معالجتها عبر طريقة معالجة النفايات المنزلية، بل على أن تجري تدويرها بالمنتجات الإلكترونية والكهربائية. وعلى أن تعالج جميع النفايات حسب القوانين المحلية. بالنسبة إلى المسائل المتعلقة بالمعالجة والتدوير الصحيح للمنتجات فاستفسر الجهة المختصة أو نقاط شبكة المبيعات.

## دليل الاستعمال

يصمم جهاز سحب الهواء هذا لصرف الهواء أو التصفية



## نوع الصرف الخارجي

في هذه الحالة، يمكن توصيل الحلقة العليا لجهاز سحب الهواء مع هذه القناة الخاصة لتصريف الدخان إلى الخارج.

التنبيه! تكون أنبوبية الصرف هي إكسسوارات اختلاريا وتحتاج إلى شرائها إضافيا.

على أن يطابق قطر أنبوبية الصرف مع حلقة التوصيل. ميل أنبوبية الصرف عند الاتجاه الأفقي بشكل خفيف (حوالي 10 درجة) ويرزها إلى خارج الغرفة لتصريف الدخان خارج الغرفة.

التنبيه! إذا كان جهاز سحب الهواء يجهز بشبكة الكربون الحيوي فعلى أن تزليها قبل التركيب.

وصل جهاز سحب الهواء مع فتحة الصرف بقطر فتحة الجدار (فتحة التوصيل). إذا كانت أبعاد فتحة الصرف صغيرة بشكل مفرط فيخفض قوة اللصق بين الأنبوبية وفتحة الصرف مما ينشأ ضجة كبيرة عند فتحة إدخال الأنبوبية.

لكن لا يتحمل المصنع أي مسؤولية للمشاكل الناشئة من ذلك.

لا يمكن أن يقل الطول لجميع الأنابيب عن الطول المطلوب.

من الأفضل ألا يوجد انحناء ميكانيكي لجميع الأنابيب (أكبر زاوية انحناء: 90 درجة).

تجنب إجراء التغييرات الكبيرة على مقطع الأنبوبية.

على أن يكون الجدار الداخلي لجميع الأنابيب منزلقا.

على أن تتجنب إجراء تغيير كبير على مقطع الأنبوبية.

على أن يكون الجدار الداخلي للأنبوبية المستعملة منزلقا.

على أن تطابق مواد الأنبوبية مع المتطلبات القياسية.

## تعليمات التحكم

يمكن استعمال السرعة العالية في شط الزيت والدخان داخل المطبخ ونقترح تشغيل جهاز سحب الهواء لخمس دقائق حتى انتهاء الطبخ قبل القيام بأعمال الطبخ وتم اشغله ل 15 دقيقة لضمان إتمام شطف الزيت والدخان.

## واجهة عرض الوظائف



أ. زر السرعة العالية للمحرك الكهربائي – رفع سرعة المحرك من 1 إلى 3

ب. زر السرعة العالية للمحرك الكهربائي – تخفيض سرعة المحرك الكهربائي.

ج. زر مصدر الكهرباء – تشغيل مصدر الكهرباء وإغلاقه.

د. زر مصباح الإضاءة – يستعمل في تشغيل وإغلاق مصباح الإضاءة ويمكن تحكّم زر الإضاءة بشكل مستقل.

هـ. زر تمديد المدة --- عند تشغيل وظيفة تمديد المدة، يشغل المحرك الكهربائي في أن واحد وبعد ثلاث دقائق تلقى جميع الوظائف.

## واجهة عرض الوظائف



### F1 – تشغيل/إغلاق وظيفة تحديد الوقت (الانقطاع/الإغلاق الأوتوماتيكي)

عند تشغيل وظيفة تحديد الوقت، يشغل المحرك في أن واحد (في أي سرعة): بعد 5 دقائق لتشغيل المحرك، يغلق أوتوماتيكيا.

خلال مدة تحديد الوقت، تعرض شاشة العرض (بوضع لامع) بمدة التشغيل الباقية).

إذا كانت الحاجة إلى إنهاء وظيفة تحديد الوقت فاضغط زر F1 مرة ثانية مقبداً بخمس دقائق. التنبيه: عند إغلاق المحرك يدويا (استعمال زر F3)، لا يمكن إلغاء وظيفة تحديد الوقت.

### F2 – تشغيل/إغلاق مصباح الإضاءة

يمكن تشغيل وإغلاق مصباح الإضاءة.

### F3 – خفض سرعة المحرك/إغلاقه

يخفض سرعة المحرك حتى يغلق بشكل تام.

### F4 – تشغيل/زيادة سرعة المحرك

يمكن تشغيل المحرك وزيادة السرعة من 1 إلى 3.

### D – شاشة العرض

يمكن عرض:

-- وضع دوران المحرك الكهربائي

-- مدة التشغيل الباقية بوظيفة تحديد الوقت

### تعليمات الصيانة

**التنبيه!** قبل القيام بأعمال الإصلاح، أكد إغلاق جهاز سحب الهواء وانقطاع التوصيل مع مصدر الكهرباء.

إذا كان قابس المنتج يوصل مع المقبس فيحتاج إلى فصل القابس.

### تعليمات التنظيف

على أن تنظف جهاز سحب الهواء دوريا من قبلكم أو فني مؤهل (على أن يجري صيانة شبكة تصفية

الزيت في أن واحد على الأقل). خلال عملية التنظيف، استعمل القماش المبلل مع مواد التنظيف المحايدة

للتنظيف. ومنع استعمال قماش سنفرة. **ومنوع استعمال الكحول!**

**التحذير:** إذا لم تجر تنظيف جهاز سحب الهواء حسب تعليمات دليل الاستعمال فهناك مخاطر في الحريق لذلك نقترح لكم إجراء التنظيف حسب الطرق لواردة في دليل الاستعمال.

بالنسبة إلى سوء الصيانة أو مخالفة مقترحات السلامة ويؤدي إلى تعطل المحرك الكهربائي أو الحريق فلا يتحمل المصنع أي مسؤولية.

### شبكة تصفية الزيت

تستعمل في امتصاص جسيمات الدهون في دخان الزيت.

على أن تستعمل مواد التنظيف غير المتأكلة لتنظيف شبكة تصفية الزيت مرة واحدة كل شهر (أو إذا كانت حاجة في عرض نظام إشارة تشبع جهاز التصفية وللمنتج هذا الجهاز). يمكن تنظيفه باليد مباشرة أو بغسالة الأطباق بشرط أن تحدد غسالة الأطباق في وضع التشغيل من الدوران المنخفض بالحرارة المنخفضة.

إذا تنظيفه بغسالة الأطباق فيؤدي إلى إزالة اللون الخفيف لشبكة تصفية الزيت، لكن لا يؤثر على فعالية التصفية لشبكة تصفية الزيت.

في حالة تفكيك شبكة تصفية الزيت، حرك مقبض تفريغ النابضة على لوحة الشبكة أولاً، ثم أجر أعمال تفكيك شبكة تصفية الزيت.

### شبكة الكربون النشط

#### شكل 14

#### يمكن امتصاص الرائحة الغريبة في عملية الطبخ

تنظف هذه الشبكة في الماء الساخن مع مواد التنظيف الملائمة كل شهرين أو يمكن تنظيفها بغسالة الأطباق بشرط أن تحدد غسالة الأطباق في وضع التشغيل من 65 درجة مئوية (إذا استعمل غسالة الأطباق فيحتاج إلى معالجة أدوات الأطباق بخيار وظيفة الدوران الكامل).

في حالة عدم تضرر شبكة الكربون، أزل الرطوبة الزائدة على شبكة الكربون وبعد ذلك جففها داخل الفرن. وجهد درجة حرارة الفرن في 100 درجة مئوية بمدة 10 دقائق. بدل الوسادة مرة واحدة كل ثلاث سنوات أو عند ضرر القماش.

#### طريقة التركيب

جهد شبكة الكربون على ظهر لوحة الشبكة وثبتها ب 4 قضبان.

**التنبيه!** يركب القضيب في داخل كيس شبكة الكربون ولا على جهاز سحب الهواء

• كرر الخطوات السابقة حسب الترتيب المعاكس لإسقاط شبكة الكربون

#### تبديل مصباح الإضاءة

قبل التبديل، أكد إتمام إغلاق جهاز سحب الهواء وينقطع التوصيل مع مصدر الكهرباء.

**التحذير!** قبل تبديل اللبنة، أكد إتمام التبريد أولاً.

بدل اللبنة بنفس الموديل ويمكن أن تجد موديل اللبنة على العلامة أو سطح جهاز سحب الهواء قرب اللبنة.

1. استعمل مفك البراغي المسطح لإدخاله في الحلقة ومارس قوة خفيفة للإخراج ويمكن إسقاط المصباح بفصل قابس المدخلات.

2. أسقط اللبنة المتعطله وبدل لمبة LED بنفس المواصفات. وتكون مواصفات لمبة LED هي 12 فولت وواط واحد (أكبر)

أجر التحكم حسب التعليمات على الغلاف ولا تلمس اللبنة الجديدة باليد.

3. أعد تركيب غطاء المصباح جيدا (مع صوت الإغلاق الخاص)

إذا كان مصباح الإضاءة غير شغل فافحص ما إذا كان تركيب المصباح صحيحا قبل حضور الفني المؤهل للإصلاح.

#### موديل مصباح LED

يجهد جهاز سحب الهواء بتكنولوجيا LED كأساس نظام الإضاءة.

وإن LED يستطيع ضمان أفضل وضع إضاءة ومدة تشغيل مستمرة ب 10 أضعاف للإضاءة العادية ويوفر 90% الطاقة الكهربائية.

في الحاجة إلى التبديل فافصل بالخدمة الفنية.