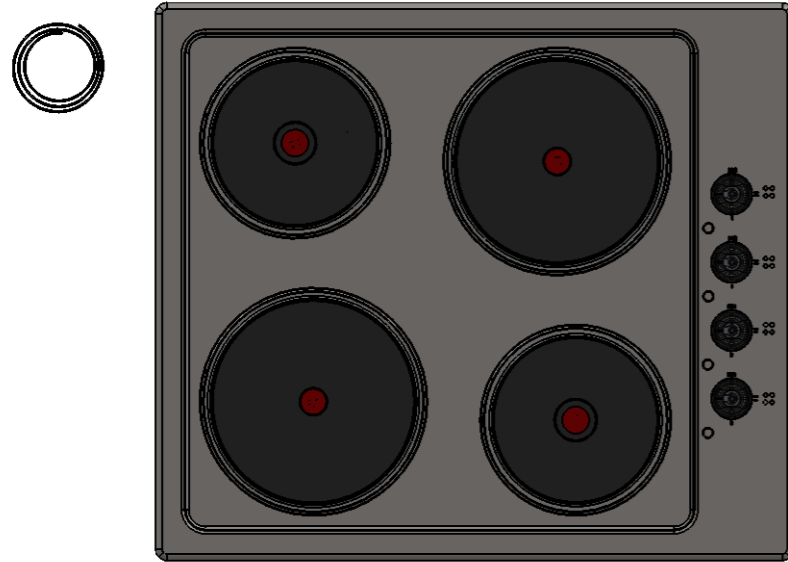
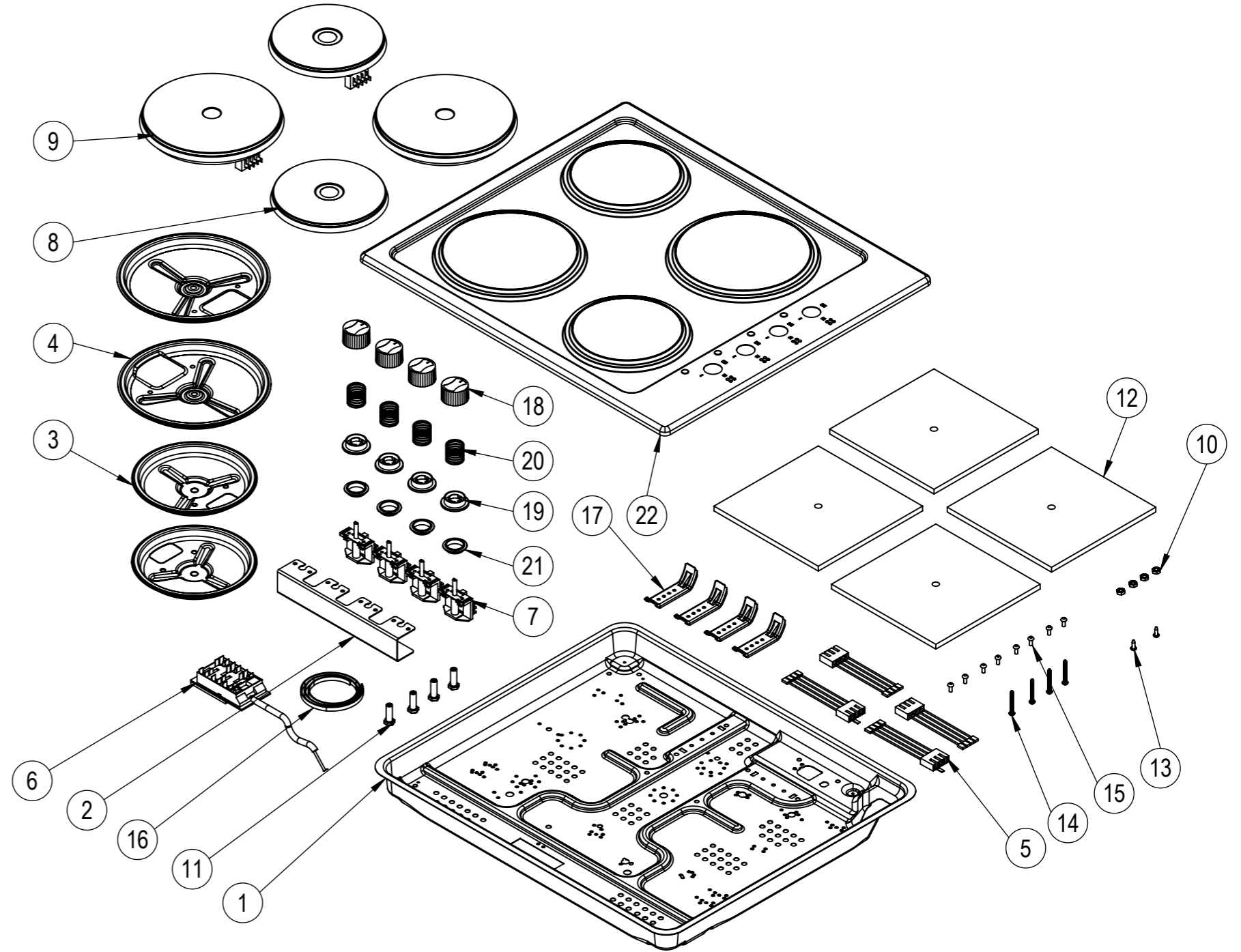


NU.	PART CODE	PART NAME	QTY.
1	151.01.02.093	Bottom Case	1
2	151.01.02.092	Key Sheet	1
3	150.01.03.032	Hot Plate Security Sheet	2
4	150.01.03.033	Hot Plate Security Sheet	2
5	150.06.01.002	Hot Plate Cable	4
6	150.06.02.017	Power Line With Terminal	1
7	150.06.06.005	Heat Switch	4
8	150.07.001	1500W Hot Plate	2
9	150.07.008	1500W Hot Plate	2
10	150.08.028	M6 Nut	4
11	150.08.061	Plate Mounting Nut	4
12	150.54.012	Plate Insulation	4
13	150.08.003	3.9x13 Screw	2
14	150.08.009	4.2x32mm Screw	4
15	150.08.016	M4x10	8
16	150.14.001	EPDM Tape	1
17	151.01.02.020	Mounting Sheet	4
18	150.03.01.025	Button	4
19	150.03.02.002	Button Plastic	4
20	150.05.019	Spring	4
21	150.14.006	Button Gasket	4
22	151.01.01.268	Inox Table	1



NOTES: -

-Unless otherwise specified dimensions are in milimeters.
-Do not scale drawing.
-Unspecified tolerances are 0,2 mm.



ELEKTRİKLİ CİHAZLAR A.Ş.

	NAME	DATE
DRAWN	İSMAİL ÖZEN	
CONTROL	TAYYAR ÇOBAN	
CONF.	TAYYAR ÇOBAN	
E-MAIL		
GROUND RAL:-		SERIGRAPHY RAL:-

MATERIAL:

PART CODE:66 250 MNF

PART NAME:

DIMENSIONS:-

CUSTOMER CODE:EEHS.64.4S

PRODUCT NAME:66 250 MNF

REV:1 1:7