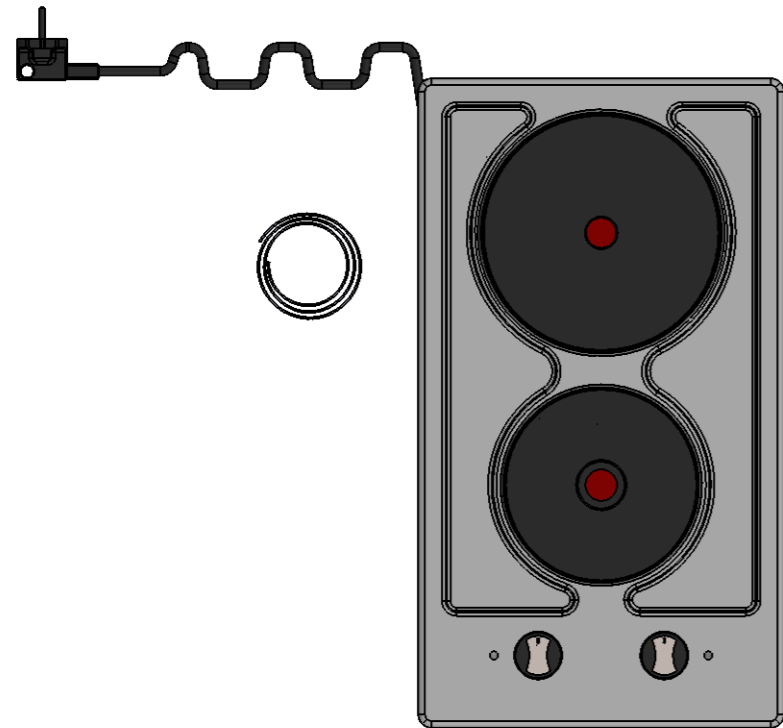
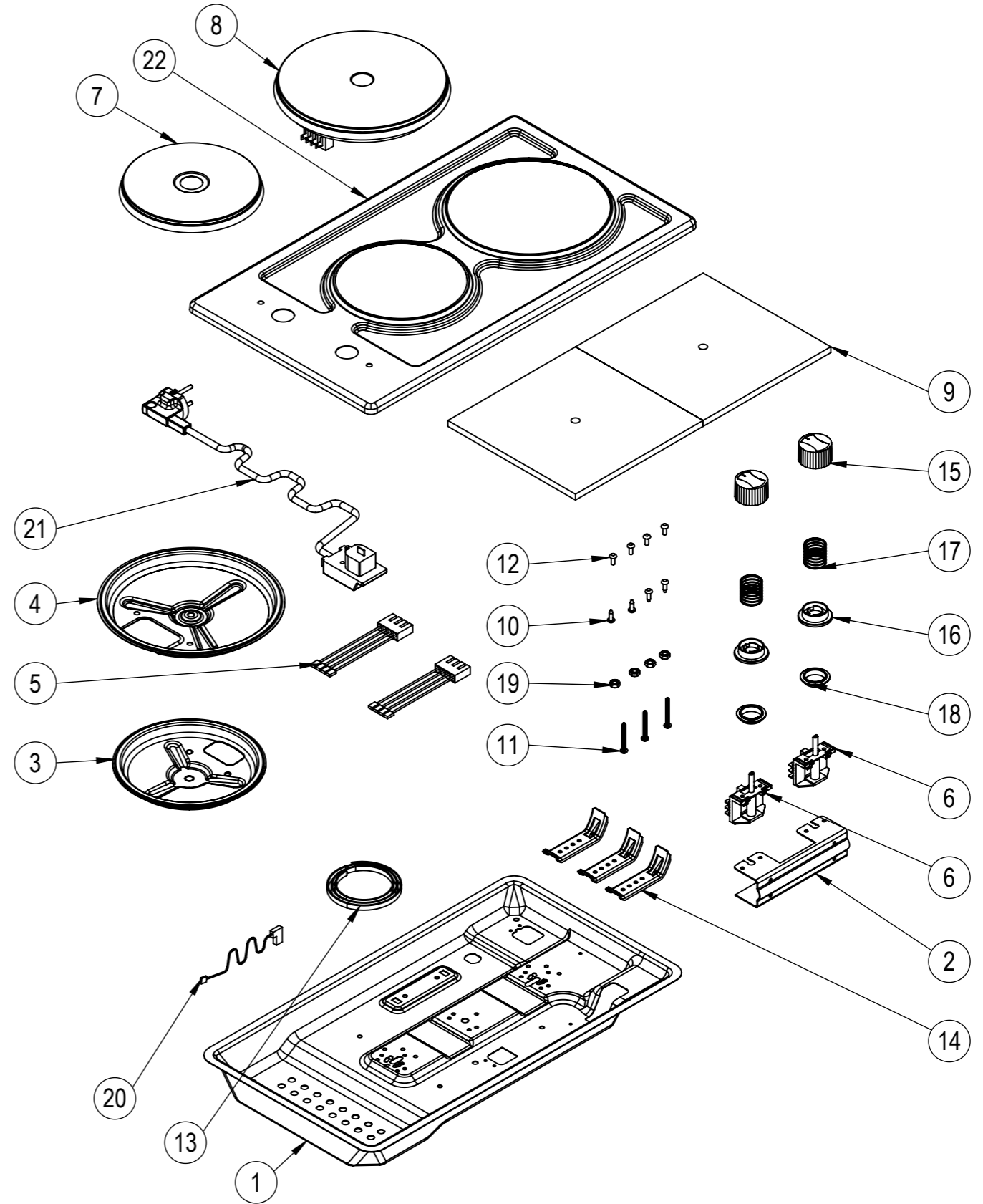


NU.	PART CODE	PART NAME	QTY.
1	151.01.02.011	Domino Bottom Case	1
2	151.01.02.094	Heat Switch Sheet	1
3	150.01.03.032	Hot Plate Security Sheet	1
4	150.01.03.033	Hot Plate Security Sheet	1
5	150.06.01.002	Hot Plate Cable	2
6	150.06.06.005	Heat Switch	2
7	150.07.001	1500W Hot Plate	1
8	150.07.008	1500W Hot Plate	1
9	150.54.012	Plate Insulation	2
10	150.08.003	3.9x13 Screw	4
11	150.08.009	4.2x32mm Screw	3
12	150.08.016	M4x10	4
13	150.14.001	EPDM Tape	1
14	151.01.02.020	Mounting Sheet	3
15	150.03.01.025	Button	2
16	150.03.02.001	Button Plastic	2
17	150.05.019	Spring	2
18	150.14.006	Button Gasket	2
19	150.08.028	M6 Nut	4
20	150.06.01.003	Neutral Cable	1
21	150.06.02.010	Power Cable	1
22	151.01.01.266	Top Plate	1



NOTES: -		NAME		DATE
-Unless otherwise specified dimensions are in milimeters. -Do not scale drawing. -Unspecified tolerances are 0,2 mm.		DRAWN İSMAİL ÖZEN		
		CONTROL TAYYAR ÇOBAN		
		CONF. TAYYAR ÇOBAN		
		E-MAIL		
		GROUND RAL:-	SERIGRAPHY RAL:-	
MATERIAL:	PART CODE:41 241 MNF	PART NAME:		
DIMENSIONS:-	CUSTOMER CODE:EEHE.32.4W	PRODUCT NAME:41 241 MNF		REV:1 1:6

eminçelik®
ELEKTRİKLİ CİHAZLAR A.Ş.